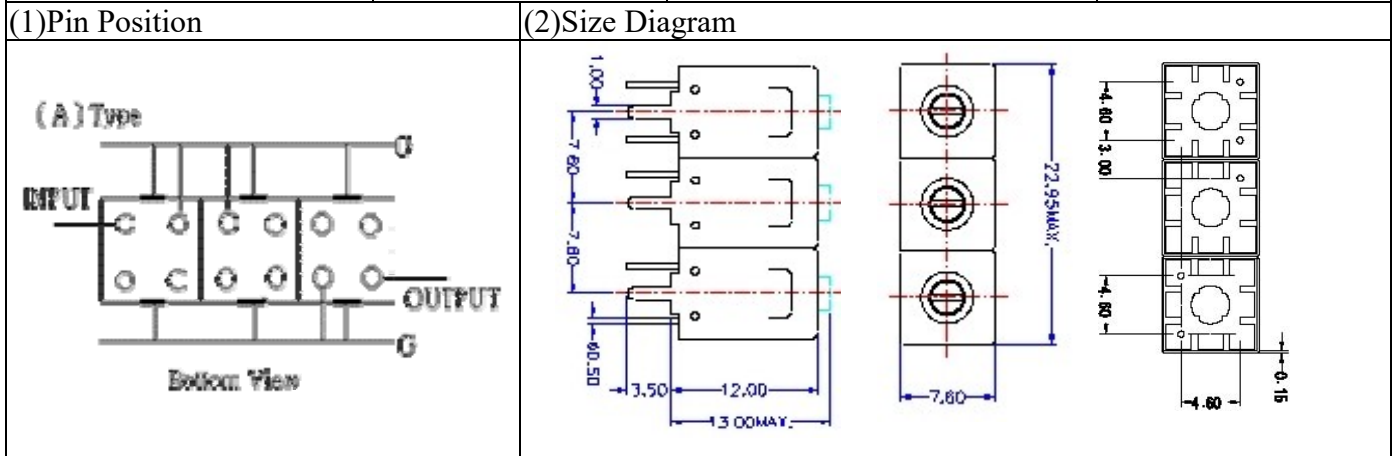


VHF UHF Helical Filter Specification Sheet

Customer Name		Temwell's Part No.	TT63837A-634.5M
Approval No. /dated	201811022CD	Temwell's print name	63837A 634.5M
Work Instruction No.	201811022CD	Date	Dec.04.2018



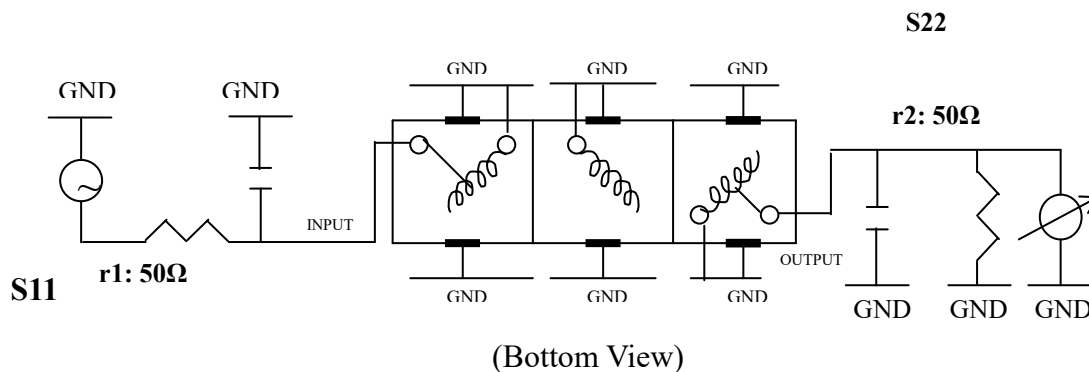
(3) Electric Characteristic			
Item		Specify	Performance
Center Freq.(Fo) +/- 0.5 %		634.5 MHz	634.5 MHz
Insertion Loss		Typ. 2.5 dB	1.46 dB
-3 dB Bandwidth		Typ. 35 MHz	38.0 MHz
Sensitivity (Attenuation)	Fo - 100 MHz	Typ. 48 dBc	53 dBc
	Fo + 100 MHz	Typ. 29 dBc	34 dBc
	Fo - ()MHz	Typ. dBc	dBc
	Fo + ()MHz	Typ. dBc	dBc
Return Loss		Min. 12 dB	20.5 dB
Ripple		< 1 dB	dB
Impedance		In / Out : 50 Ω	In / Out : 50 Ω

(4) Torque for Tuning Screw > 60gf · cm

(5) Temperature Condition:	
Operating Temperature	0°C ~ +60°C
Storage Temperature	-20°C ~ +70°C

(6) Input Power > 1Watt

(7) Measuring Circuit: ※Easy to match Impedance S11/S22 50Ω by parallel with about(- -).

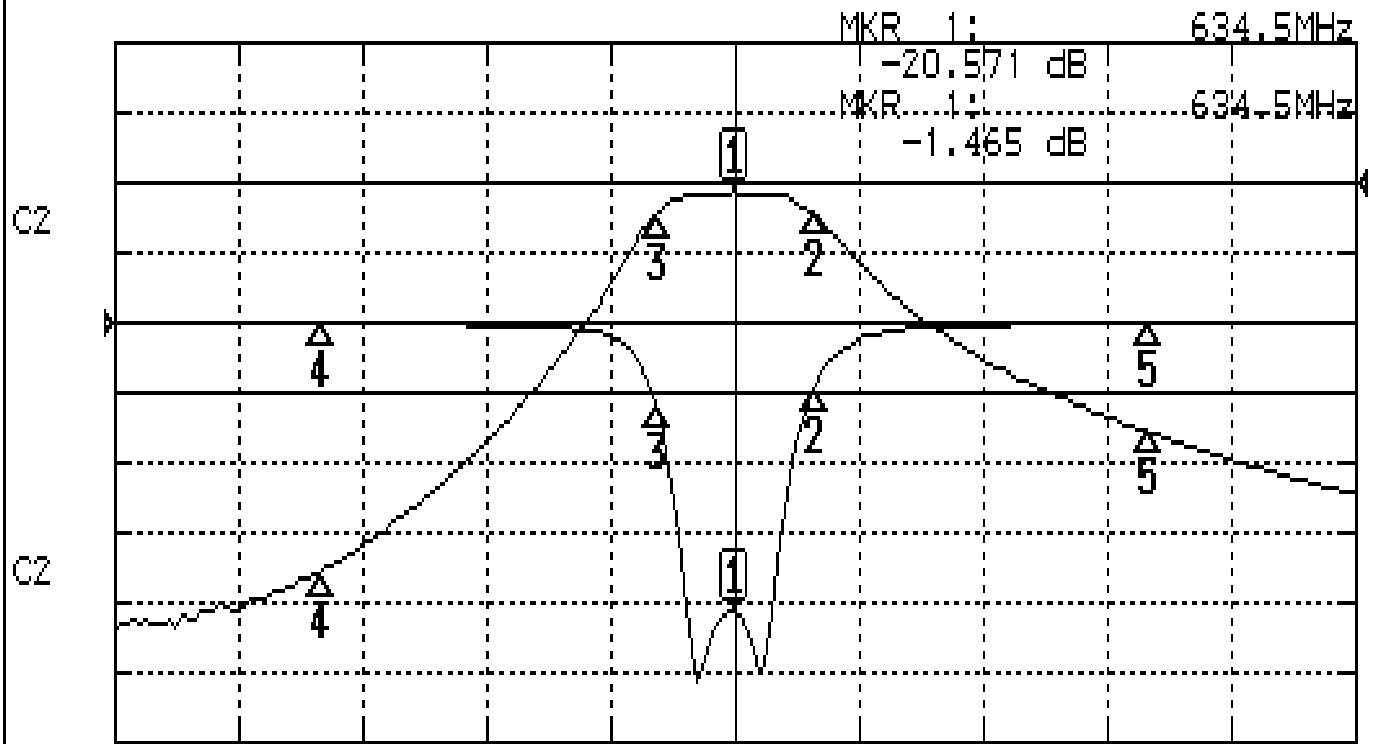


Approval C.Y.Chang	Supervisor C.K.Chang	Designer C.H.Yeh	Aperture size 7H3S(4*5.6)(5.68) 7H046LB5
-----------------------	-------------------------	---------------------	--

Performance-TT63837A-634.5M

201811022CD

CH1 S11 LOG MAG REF 0.000 dB 5.000 dB/
 CH2 S21 LOG MAG REF 0.000 dB 10.000 dB/



CENTER 634.5MHz

[10.00 dBm]

SPAN 300MHz

CH1 MARKER LIST

1:	634.500MHz	-20.571	dB
2:	653.640MHz	-14.746	dB
3:	615.640MHz	-15.936	dB
4:	534.500MHz	-0.071	dB
5:	734.500MHz	-0.068	dB
6:			
7:			
8:			
9:			
10:			

CH2 MARKER LIST

1:	634.500MHz	-1.464	dB
2:	653.640MHz	-4.493	dB
3:	615.640MHz	-4.466	dB
4:	534.500MHz	-5.222	dB
5:	734.500MHz	-5.652	dB
6:			
7:			
8:			
9:			
10:			