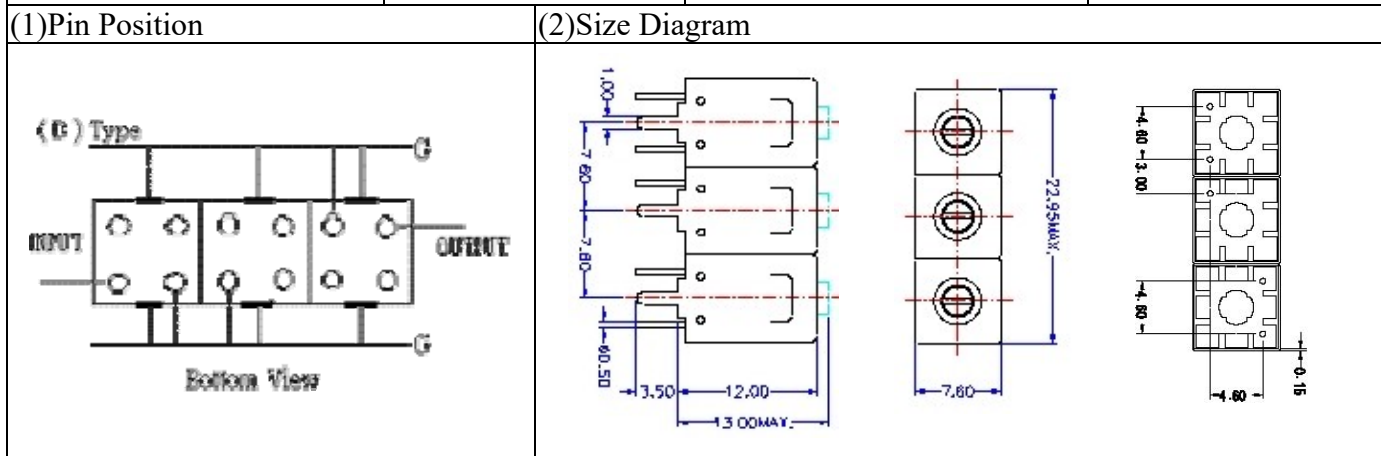


VHF UHF Helical Filter Specification Sheet

Customer Name		Temwell's Part No.	TT63829B-455M
Approval No. /dated	201811014CD	Temwell's Print name.	63829B 455M
Work Instruction No.	201311014CD	Date	Nov.30.2018



(3) Electric Characteristic

Item	Specify	Performance	
Center Freq.(Fo) +/- 0.5 %	455 MHz	455 MHz	
Insertion Loss	Typ. 5.0 dB	4.50 dB	
-3 dB Bandwidth	Typ. 5 MHz	7.9 MHz	
Sensitivity (Attenuation)	Fo - 50 MHz	Typ. 52 dBc	58 dBc
	Fo + 50 MHz	Typ. 47 dBc	58 dBc
	Fo - () MHz	Typ. dBc	dBc
	Fo + () MHz	Typ. dBc	dBc
Return Loss	Min. 12 dB	30.4 dB	
Ripple	< 1 dB	dB	
Impedance	In / Out : 50 Ω	In / Out : 50 Ω	

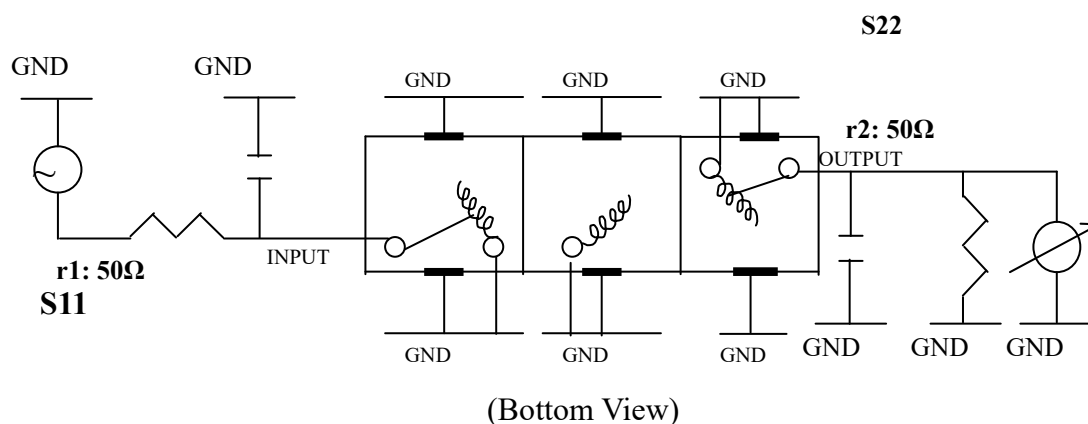
(4) Torque for Tuning Screw > 60gf · cm

(5) Temperature Condition:

Operating Temperature	0°C ~ +60°C
Storage Temperature	-20°C ~ +70°C

(6) Input Power > 1 Watt

(7) Measuring Circuit: ※Easy to match Impedance S11/S22 50Ω by parallel with about (-) .



Approval	Supervisor	Designer	Aperture size
C.Y.Chang	C.S.Chang	P.H.Chiang	7H3S(4*4.65)(4.68) 7H046RB4.3 聚 3

TEMWELL CORPORATION

Performance-TT63829B-455M

201811014CD

