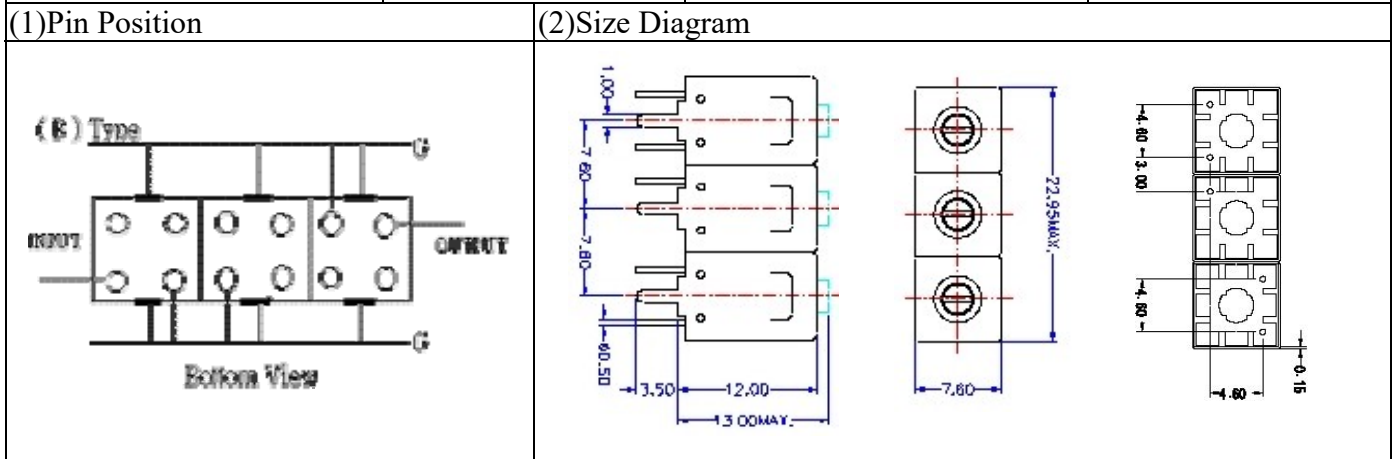


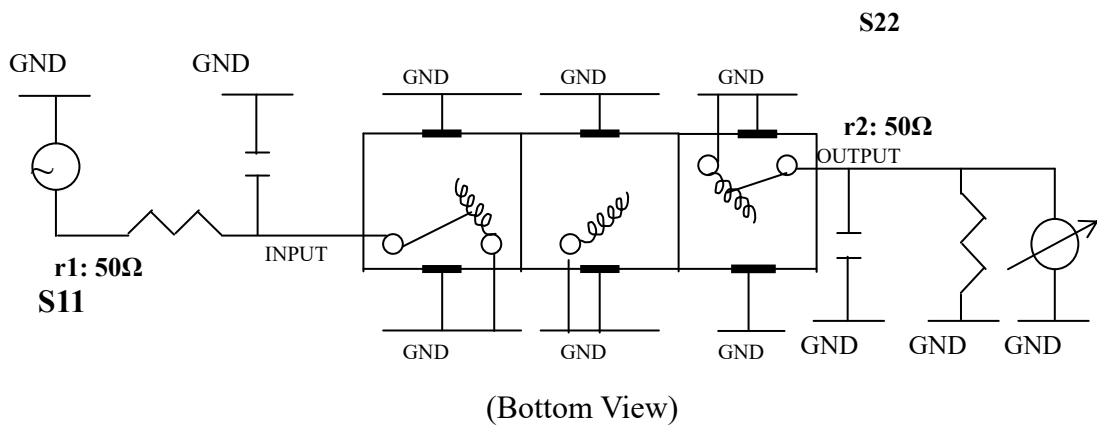
VHF UHF Helical Filter Specification Sheet

Customer Name		Temwell's Part No.	TT63827B-453.5M
Approval No. /dated	201811012CD	Temwell's Print name.	63827B 453.5M
Work Instruction No.	201811012CD	Date	Nov.30.2018



(3) Electric Characteristic			
Item	Specify	Performance	
Center Freq.(Fo) +/- 0.5 %	453.5 MHz	453.5 MHz	
Insertion Loss	Typ. 5.0 dB	4.06 dB	
-3 dB Bandwidth	Typ. 5 MHz	7.9 MHz	
Sensitivity (Attenuation)	Fo - 50 MHz	Typ. 52 dBc	59 dBc
	Fo + 50 MHz	Typ. 47 dBc	51 dBc
	Fo - () MHz	Typ. dBc	dBc
	Fo + () MHz	Typ. dBc	dBc
Return Loss	Min. 12 dB	37.0 dB	
Ripple	< 1 dB	dB	
Impedance	In / Out : 50 Ω	In / Out : 50 Ω	
(4) Torque for Tuning Screw		> 60gf • cm	
(5) Temperature Condition:			
Operating Temperature	0°C ~ +60°C		
Storage Temperature	-20°C ~ +70°C		
(6) Input Power	> 1 Watt		

(7) Measuring Circuit: ※Easy to match Impedance S11/S22 50Ω by parallel with about (--).



Approval C.Y.Chang	Supervisor C.K.Chang	Designer P.H.Chiang	Aperture size 7H3S(4*4.65)(4.68) 7H046RB4.3 聚 3
-----------------------	-------------------------	------------------------	---

TEMWELL CORPORATION

Performance-TT63827B-453.5M

201811012CD

