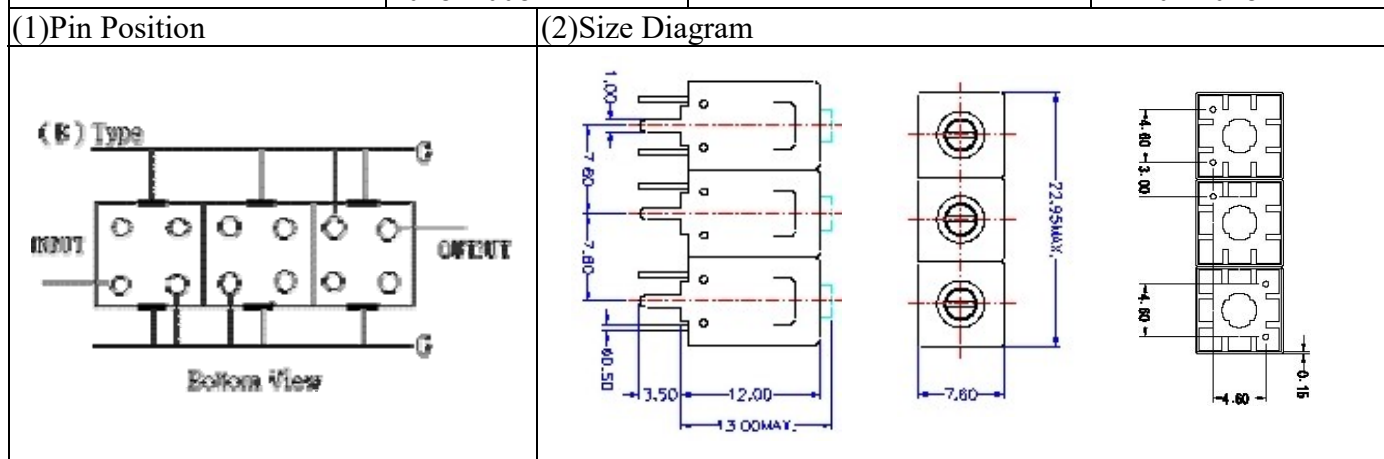


VHF UHF Helical Filter Specification Sheet

Customer Name		Temwell's Part No.	TT63823B-415M
Approval No. /dated	201811008CD	Temwell's Print name	63823B 415M
Work Instruction No.	201811008CD	Date	Nov.02.2018



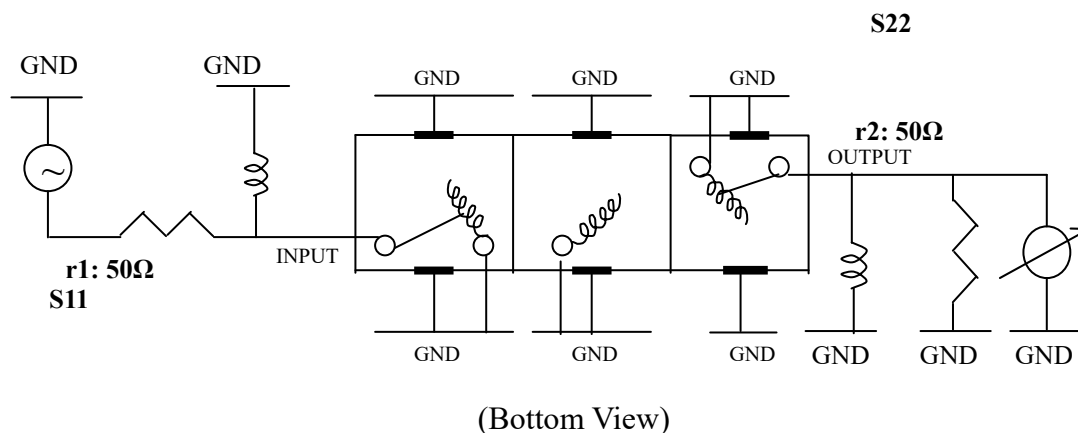
(3) Electric Characteristic

Item	Specify	Performance	
Center Freq.(Fo) +/- 0.5 %	415 MHz	415 MHz	
Insertion Loss	Typ. 4.5 dB	3.36 dB	
-3 dB Bandwidth	Typ. 10 MHz	11.7 MHz	
Sensitivity (Attenuation)	Fo - 50 MHz	Typ. 60 dBc	65 dBc
	Fo + 50 MHz	Typ. 48 dBc	53 dBc
	Fo - ()MHz	Typ. dBc	dBc
	Fo + ()MHz	Typ. dBc	dBc
Return Loss	Min. 12 dB	19.5 dB	
Ripple	< 1 dB	dB	
Impedance	In / Out : 50 Ω	In / Out : 50 Ω	
(4) Torque for Tuning Screw	> 60gf · cm		

(5) Temperature Condition:

Operating Temperature	0°C ~ +60°C
Storage Temperature	-20°C ~ +70°C
(6) Input Power	> 1 Watt

(7) Measuring Circuit: ※Easy to match Impedance S11/S22 50Ω by parallel with about(--) .



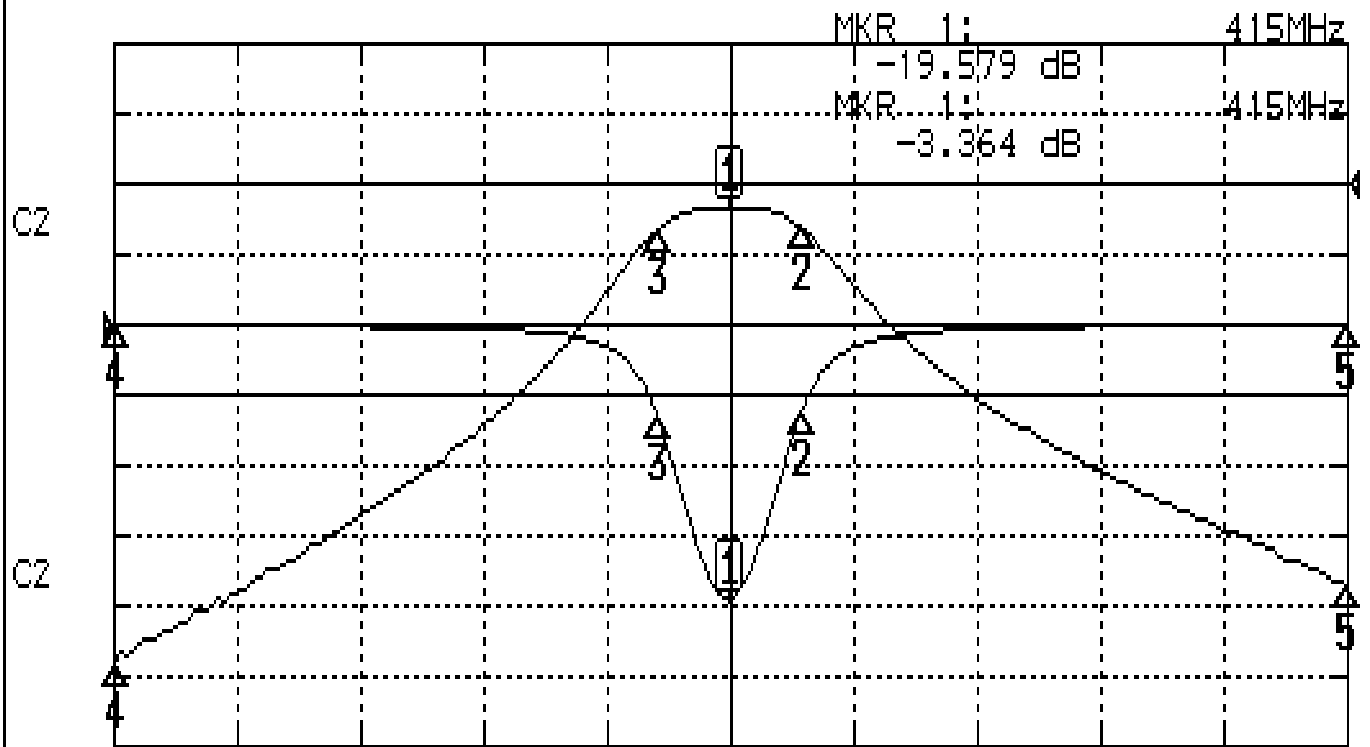
Approval	Supervisor	Designer	Aperture size
C.Y.Chang	C.K.Chang	Z.Y.Wang	7H3S(4*5.6)(5.68) 7H046LB4.3 聚 3(J2)

TEMWELL CORPORATION

Performance-TT63823B-415M

201811008CD

CH1 S11 LOG MAG REF 0.000 dB 5.000 dB/
CH2 S21 LOG MAG REF 0.000 dB 10.000 dB/



CENTER 415MHz

[10.00 dBm]

SPAN 100MHz

CH1 MARKER LIST

1:	415.000MHz	-19.579	dB
2:	420.916MHz	-15.937	dB
3:	409.166MHz	-6.488	dB
4:	365.000MHz	-0.068	dB
5:	465.000MHz	-0.046	dB

CH2 MARKER LIST

1:	415.000MHz	-3.363	dB
2:	420.916MHz	-6.370	dB
3:	409.166MHz	-6.318	dB
4:	365.000MHz	-7.380	dB
5:	465.000MHz	-7.180	dB