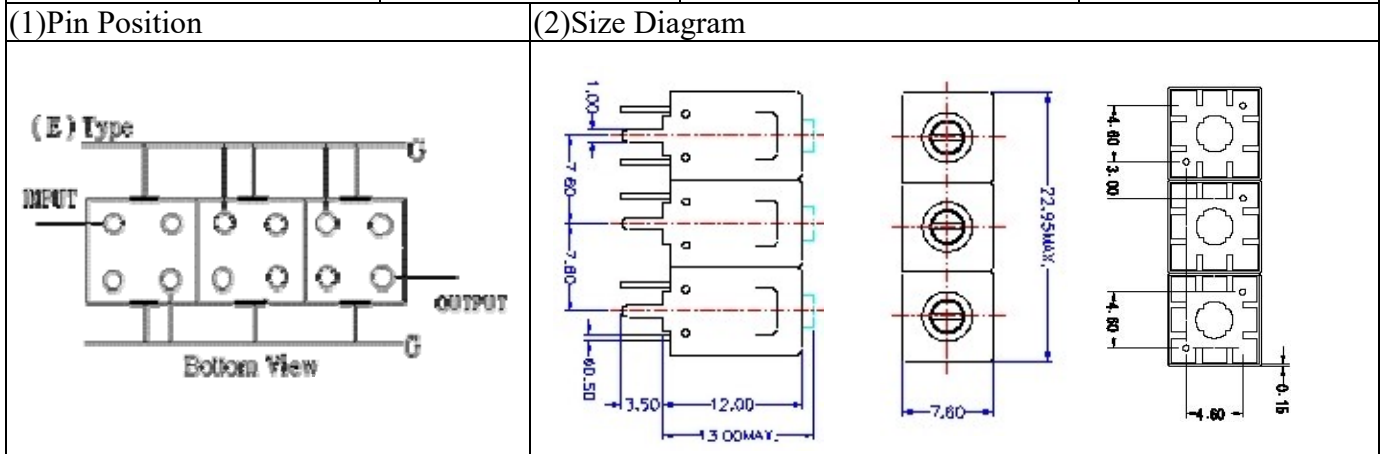


VHF UHF Helical Filter Specification Sheet

Customer Name		Temwell's Part No.	TT63817E-836.5M
Approval No. /dated	201810030CD	Temwell's Print name.	63817E 836.5M
Work Instruction No.	201810030CD	Date	Dec.03.2018



(3) Electric Characteristic

Item	Specify	Performance	
Center Freq.(Fo) +/- 0.5 %	836.5 MHz	836.5 MHz	
Insertion Loss	Typ. 3.0 dB	1.83 dB	
-3 dB Bandwidth	Typ. 25 MHz	28.5 MHz	
Sensitivity (Attenuation)	Fo - 50 MHz	Typ. 22 dBc	27 dBc
	Fo + 50 MHz	Typ. 24 dBc	29 dBc
	Fo - ()MHz	Typ. dBc	dBc
	Fo +()MHz	Typ. dBc	dBc
Return Loss	Min. 12 dB	27.8 dB	
Ripple	< 1 dB	dB	
Impedance	In / Out : 50 Ω	In / Out : 50 Ω	
(4) Torque for Tuning Screw	> 60gf • cm		

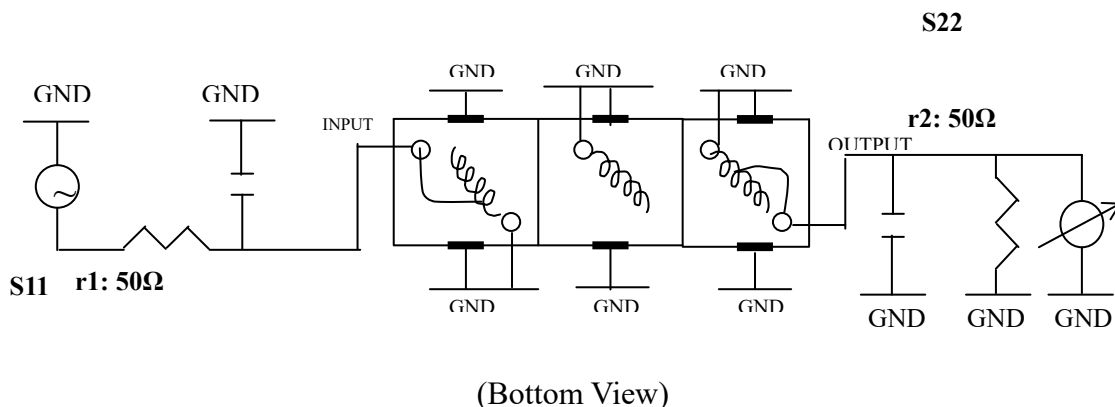
(5) Temperature Condition:

Operating Temperature	0°C ~ +60°C
Storage Temperature	-20°C ~ +70°C

(6) Input Power

> 1Watt

(7) Measuring Circuit: ※Easy to match Impedance S11/S22 50Ω by parallel with about(--)

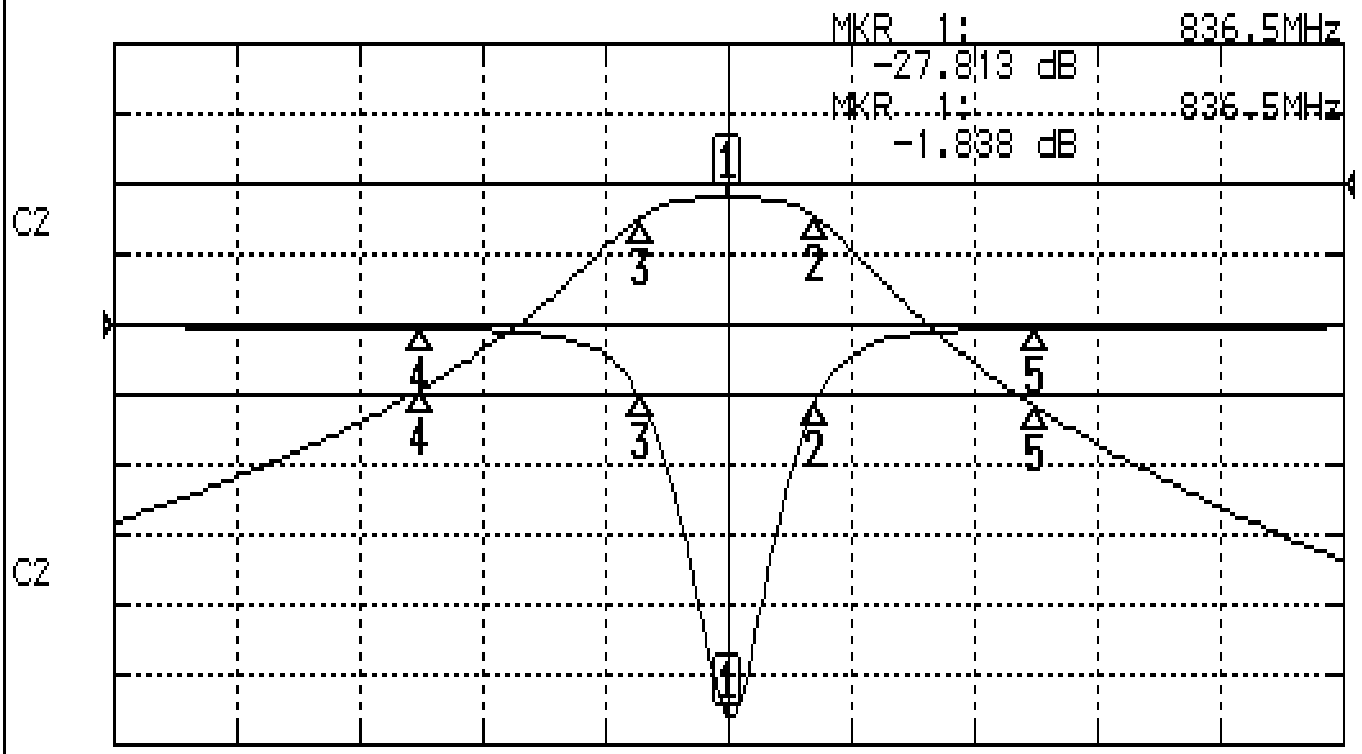


Approval	Supervisor	Designer	Aperture size
C.Y.Chang	C.K.Chang	C.H.Yeh	7H3S(4*5.5)(5.57) 7H046LB4.3 聚 3(J1)
TEMWELL CORPORATION			

Performance-TT63817E-836.5M

201810030CD

CH1 S11 LOG MAG REF 0.000 dB 5.000 dB/
CH2 S21 LOG MAG REF 0.000 dB 10.000 dB/



CENTER 836.5MHz

[10.00 dBm]

SPAN 200MHz

CH1 MARKER LIST

Marker	Frequency (MHz)	Magnitude (dB)
1:	836.500MHz	-27.815 dB
2:	850.833MHz	-1.588 dB
3:	822.235MHz	-1.157 dB
4:	786.500MHz	-0.259 dB
5:	886.500MHz	-0.299 dB

CH2 MARKER LIST

Marker	Frequency (MHz)	Magnitude (dB)
1:	836.500MHz	-1.838 dB
2:	850.833MHz	-4.833 dB
3:	822.235MHz	-4.810 dB
4:	786.500MHz	-29.317 dB
5:	886.500MHz	-31.696 dB