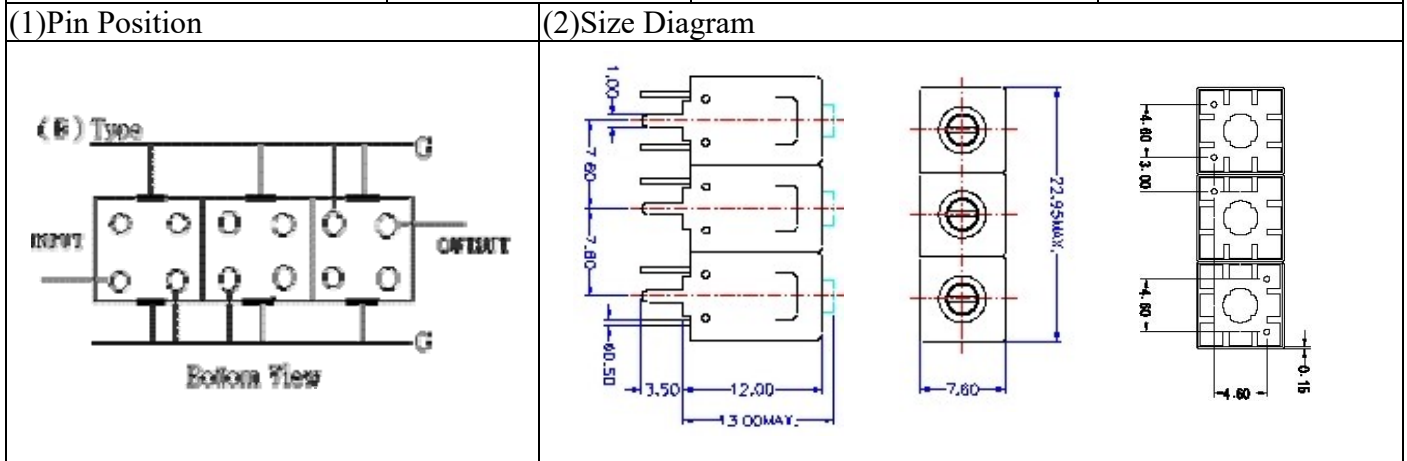


VHF UHF Helical Filter Specification Sheet

Customer Name		Temwell's Part No.	TT63816B-837.5M
Approval No. /dated	201810029CD	Temwell's Print name	63816B 837.5M
Work Instruction No.	201810029CD	Date	Nov.30.2018



(3) Electric Characteristic

Item	Specify	Performance	
Center Freq.(Fo) +/- 0.5 %	837.5 MHz	837.5 MHz	
Insertion Loss	Typ. 2.5 dB	1.54 dB	
-3 dB Bandwidth	Typ. 45 MHz	48.0 MHz	
Sensitivity (Attenuation)	Fo - 100 MHz	Typ. 33 dBc	40 dBc
	Fo + 100 MHz	Typ. 20 dBc	29 dBc
	Fo - ()MHz	Typ. dBc	dBc
	Fo +()MHz	Typ. dBc	dBc
Return Loss	Min. 12 dB	21.1 dB	
Ripple	< 1 dB	dB	
Impedance	In / Out : 50 Ω	In / Out : 50 Ω	

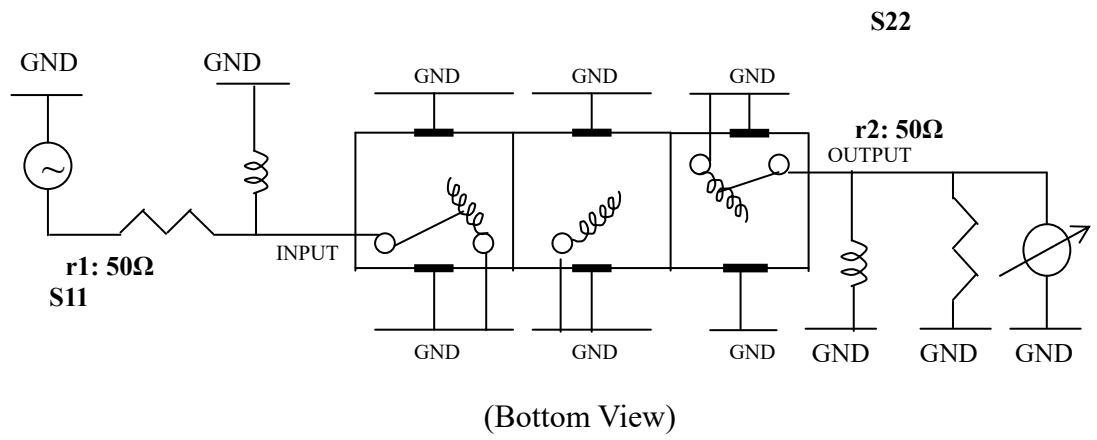
(4) Torque for Tuning Screw > 60gf · cm

(5) Temperature Condition:

Operating Temperature	0°C ~ +60°C
Storage Temperature	-20°C ~ +70°C

(6) Input Power > 1Watt

(7) Measuring Circuit: ※Easy to match Impedance S11/S22 50Ω by parallel with about(--) .



Approval	Supervisor	Designer	Aperture size
C.Y.Chang	C.K.Chang	P.H.Chiang	7H3S(4*5.35)(5.39) 7H046RB5.5

TEMWELL CORPORATION

Performance-TT63816B-837.5M

201810029CD

