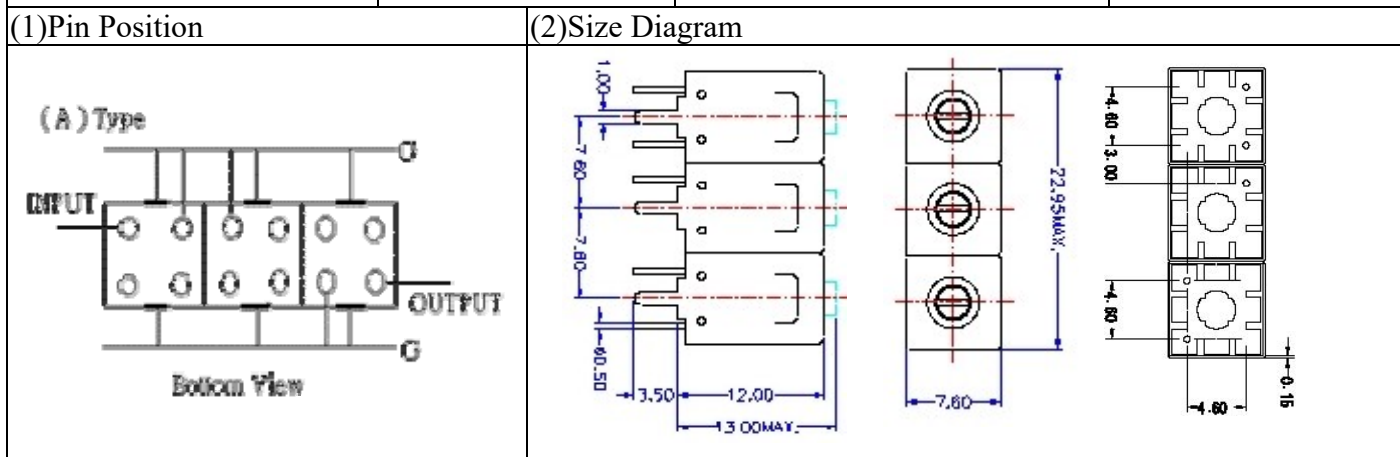


VHF UHF Helical Filter Specification Sheet

Customer Name		Temwell's Part No.	TT63815A-822.5M
Approval No. /dated	201810028CD	Temwell's print name	63815A 822.5M
Work Instruction No.	201810028CD	Date	Nov.15.2018



(3) Electric Characteristic

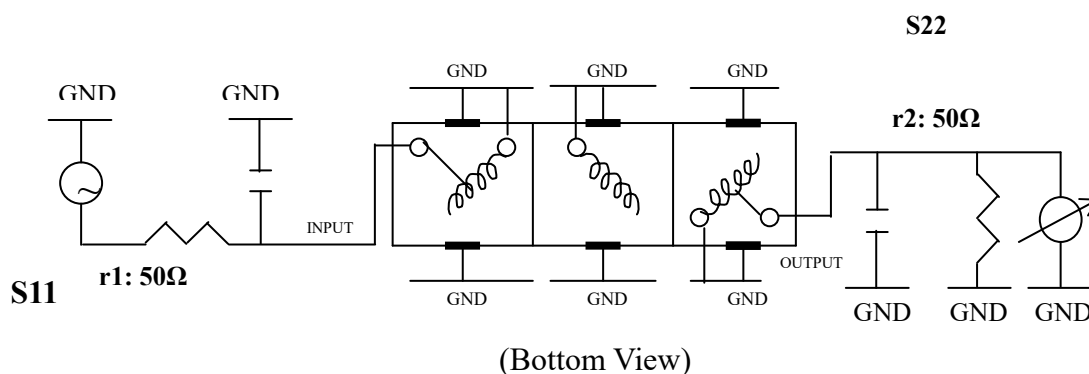
Item	Specify	Performance	
Center Freq.(Fo) +/- 0.5 %	822.5 MHz	822.5 MHz	
Insertion Loss	Typ. 3.5 dB	0.99 dB	
-3 dB Bandwidth	Typ. 75 MHz	78.9 MHz	
Sensitivity (Attenuation)	Fo - 100 MHz	Typ. 27 dBc	32 dBc
	Fo + 100 MHz	Typ. 15 dBc	20 dBc
	Fo - ()MHz	Typ. dBc	dBc
	Fo + ()MHz	Typ. dBc	dBc
Return Loss	Min. 12 dB	30.9 dB	
Ripple	< 1 dB	dB	
Impedance	In / Out : 50 Ω	In / Out : 50 Ω	
(4) Torque for Tuning Screw	> 60gf • cm		

(5) Temperature Condition:

Operating Temperature	0°C ~ +60°C
Storage Temperature	-20°C ~ +70°C

(6) Input Power

(7) Measuring Circuit: ※Easy to match Impedance S11/S22 50Ω by parallel with about(- -).



Approval C.Y.Chang	Supervisor C.K.Chang	Designer P.H.Chiang	Aperture size 7H3S(4*7.5)(7.58) 7H046LB5.5
-----------------------	-------------------------	------------------------	--

TEMWELL CORPORATION

Performance-TT63815A-822.5M

201810028CD

