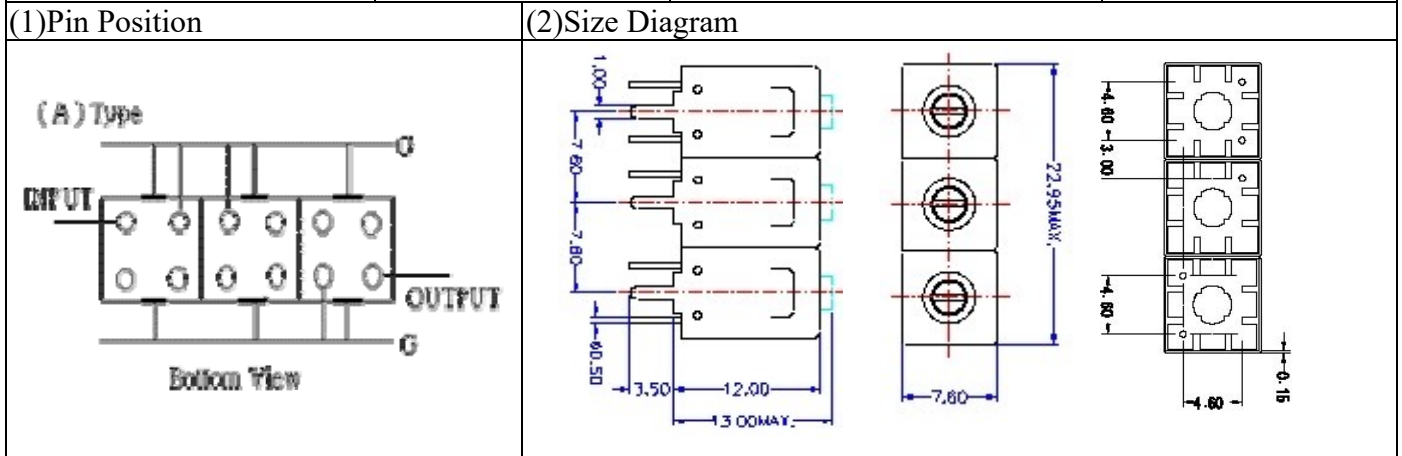


# VHF UHF Helical Filter Specification Sheet

Customer Name		Temwell's Part No.	TT63811A-707.5M
Approval No. /dated	201810024CD	Temwell's print name	63811A 707.5M
Work Instruction No.	201810024CD	Date	Nov.06.2018



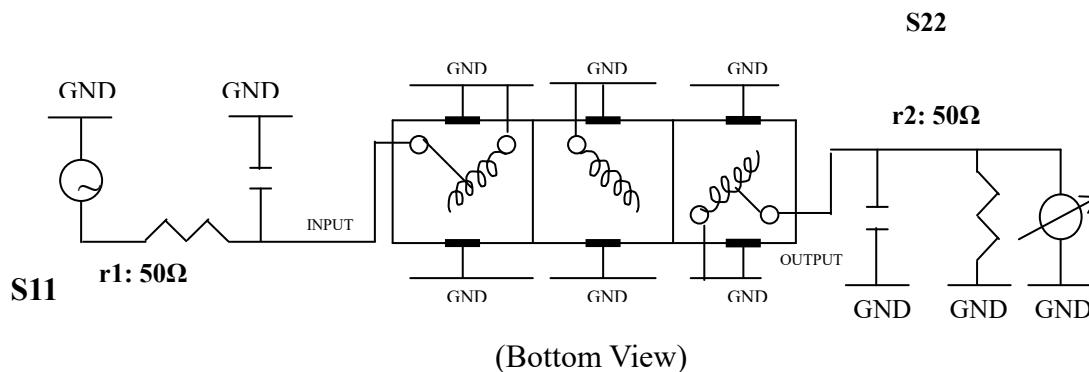
(3) Electric Characteristic			
Item		Specify	Performance
Center Freq.(Fo) +/- 0.5 %		707.5 MHz	707.5 MHz
Insertion Loss		Typ. 2.0 dB	1.09 dB
-3 dB Bandwidth		Typ. 70 MHz	76.8 MHz
Sensitivity (Attenuation)	Fo - 100 MHz	Typ. 33 dBc	36 dBc
	Fo + 100 MHz	Typ. 19 dBc	22 dBc
	Fo - ( )MHz	Typ. dBc	dBc
	Fo + ( )MHz	Typ. dBc	dBc
Return Loss		Min. 12 dB	23.2 dB
Ripple		< 1 dB	dB
Impedance		In / Out : 50 Ω	In / Out : 50 Ω

(4) Torque for Tuning Screw	> 60gf · cm
-----------------------------	-------------

(5) Temperature Condition:	
Operating Temperature	0°C ~ +60°C
Storage Temperature	-20°C ~ +70°C

(6) Input Power	> 1 Watt
-----------------	----------

(7) Measuring Circuit: ※Easy to match Impedance S11/S22 50Ω by parallel with about(- -).

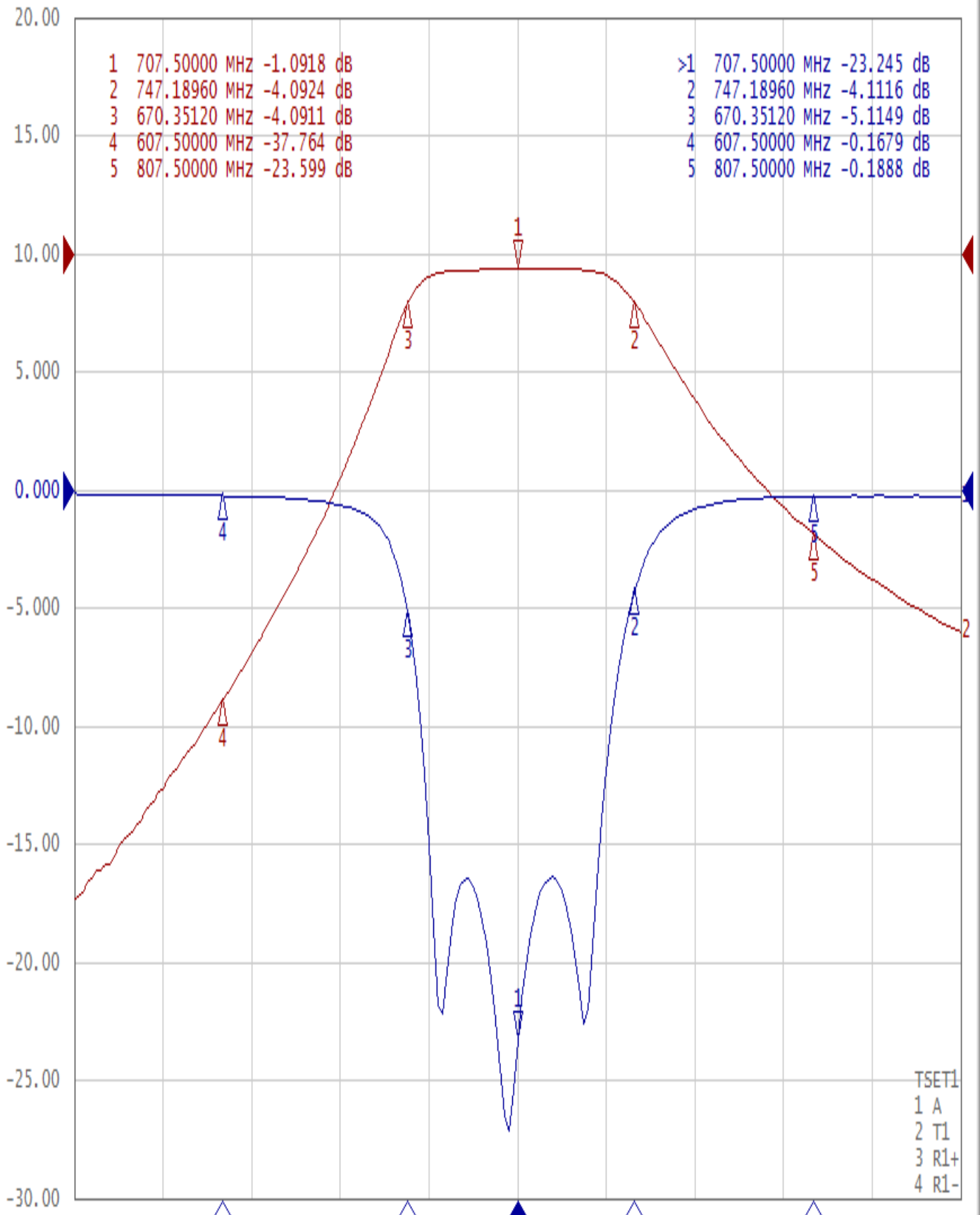


Approval	Supervisor	Designer	Aperture size
C.Y.Chang	C.K.Chang	C.S.Chang	7H3S(4*8.0)(8.02) 7H046LB5.5

# Performance-TT63811A-707.5M

## 201810024CD

Tr1 S11 Log Mag 5.000dB/ Ref 0.000dB [F2]  
Tr2 S21 Log Mag 10.00dB/ Ref 0.000dB [F2]



TSETL  
1 A  
2 T1  
3 R1+  
4 R1-

1 Center 707.5 MHz

IFBW 70 kHz

Span 300 MHz Cor!