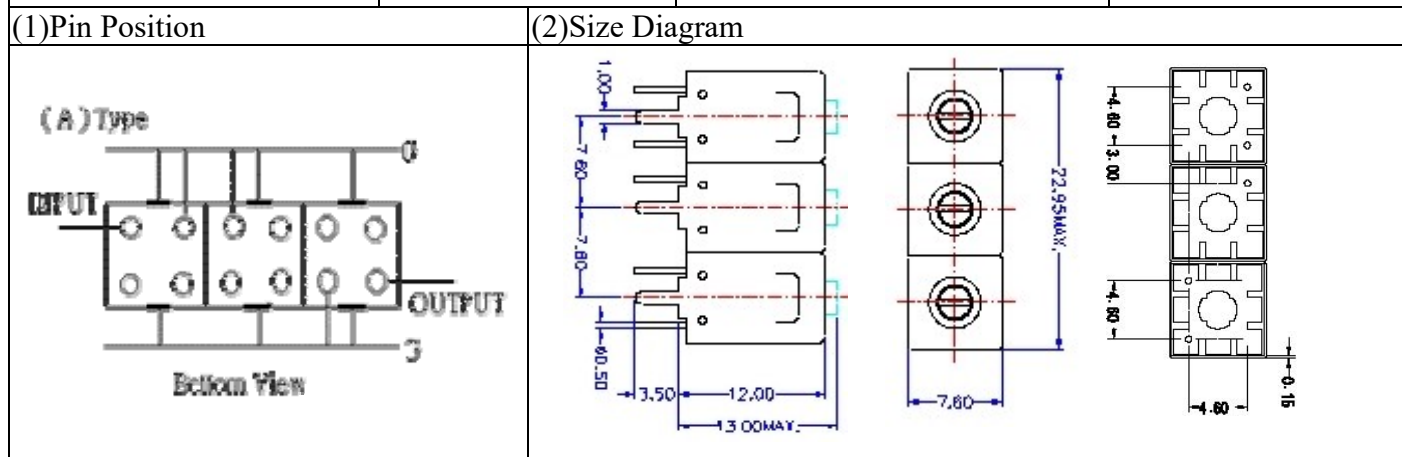


# VHF UHF Helical Filter Specification Sheet

|                      |             |                      |                  |
|----------------------|-------------|----------------------|------------------|
| Customer Name        |             | Temwell's Part No.   | TT63809A-897.5M  |
| Approval No. /dated  | 201810022CD | Temwell's print name | 67809A<br>897.5M |
| Work Instruction No. | 201810022CD | Date                 | Nov.01.2018      |



### (3) Electric Characteristic

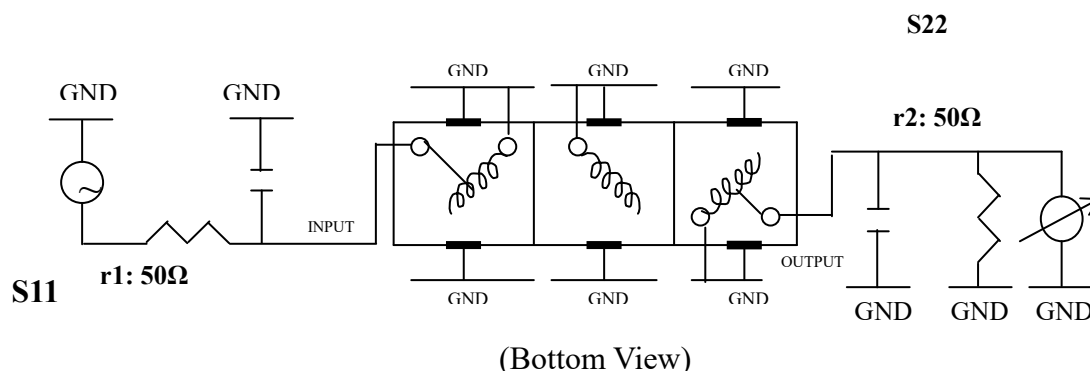
| Item                         | Specify         | Performance     |        |
|------------------------------|-----------------|-----------------|--------|
| Center Freq.(Fo) +/- 0.5 %   | 897.5 MHz       | 897.5 MHz       |        |
| Insertion Loss               | Typ. 2.5 dB     | 1.35 dB         |        |
| -3 dB Bandwidth              | Typ. 65 MHz     | 70.5 MHz        |        |
| Sensitivity<br>(Attenuation) | Fo - 100 MHz    | Typ. 29 dBc     | 34 dBc |
|                              | Fo + 100 MHz    | Typ. 17 dBc     | 22 dBc |
|                              | Fo - ( )MHz     | Typ. dBc        | dBc    |
|                              | Fo + ( )MHz     | Typ. dBc        | dBc    |
| Return Loss                  | Min. 12 dB      | 20.6 dB         |        |
| Ripple                       | < 1 dB          | dB              |        |
| Impedance                    | In / Out : 50 Ω | In / Out : 50 Ω |        |
| (4) Torque for Tuning Screw  | > 60gf • cm     |                 |        |

### (5) Temperature Condition:

|                       |               |
|-----------------------|---------------|
| Operating Temperature | 0°C ~ +60°C   |
| Storage Temperature   | -20°C ~ +70°C |

### (6) Input Power

(7) Measuring Circuit: ※Easy to match Impedance S11/S22 50Ω by parallel with about(- -).



|           |            |            |  |
|-----------|------------|------------|--|
| Approval  | Supervisor | Designer   | Aperture size                            |
| C.Y.Chang | C.K.Chang  | P.H.Chiang | 7H3S(4*6.5)(6.56)<br>7H046LB5/7H046LB5.5 |

# Performance-TT63809A-897.5M

## 201810022CD

