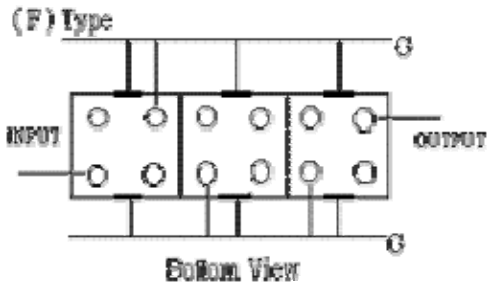
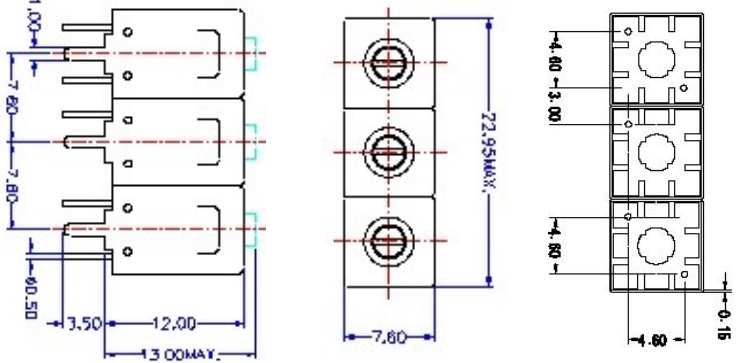


# VHF UHF Helical Filter Specification Sheet

Customer Name		Temwell's Part No.	TT63788F-1282M-200M
Approval No. /dated	201804045CD	Temwell's print name	63788F 1282M
Work Instruction No.	201804045CD	Date	Jun.27.2018

(1)Pin Position	(2)Size Diagram
 <p>(F) Type Bottom View</p>	

### (3)Electric Charasteric

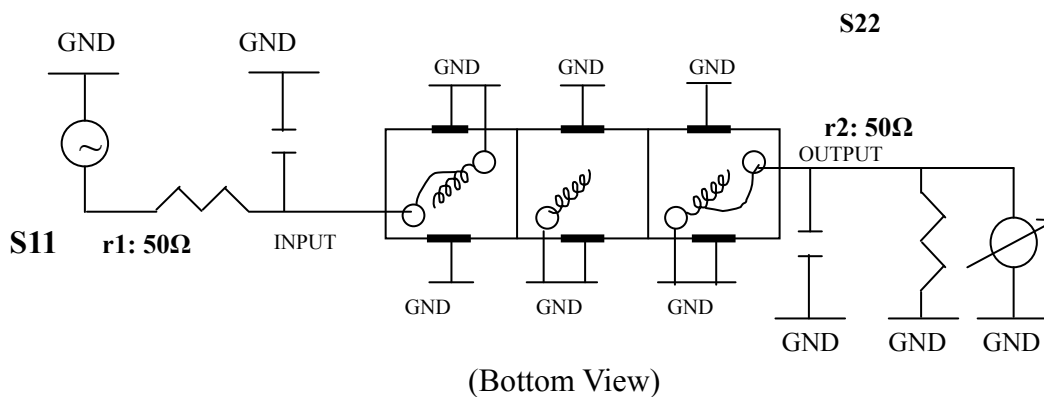
Item	Specify	Performance
Center Freq.(Fo ) +/- 0.5 %	1282 MHz	1282 MHz
Insertion Loss	Typ. 2.0 dB	0.93 dB
-3 dB Bandwidth	Typ. 200 MHz	214.6 MHz
Sensitivity (Attenuation)	Fo - 400 MHz	Typ. 46 dBc
	Fo + 400 MHz	Typ. 26 dBc
	Fo - ( )MHz	Typ. dBc
	Fo +( )MHz	Typ. dBc
Return Loss	Min. 12 dB	18.3 dB
Ripple	< 1 dB	dB
Impedance	In / Out : 50 Ω	In / Out : 50 Ω
(4)Torque for Tuning Screw	> 60gf · cm	

### (5)Temperature Condition:

Operating Temperature	0°C ~ +60°C
Storage Temperature	-20°C ~ +70°C

### (6)Input Power

(7)Measuring Circuit: ※Easy to match Impedance S11/S22 50Ω by parallel with about( -- ) .

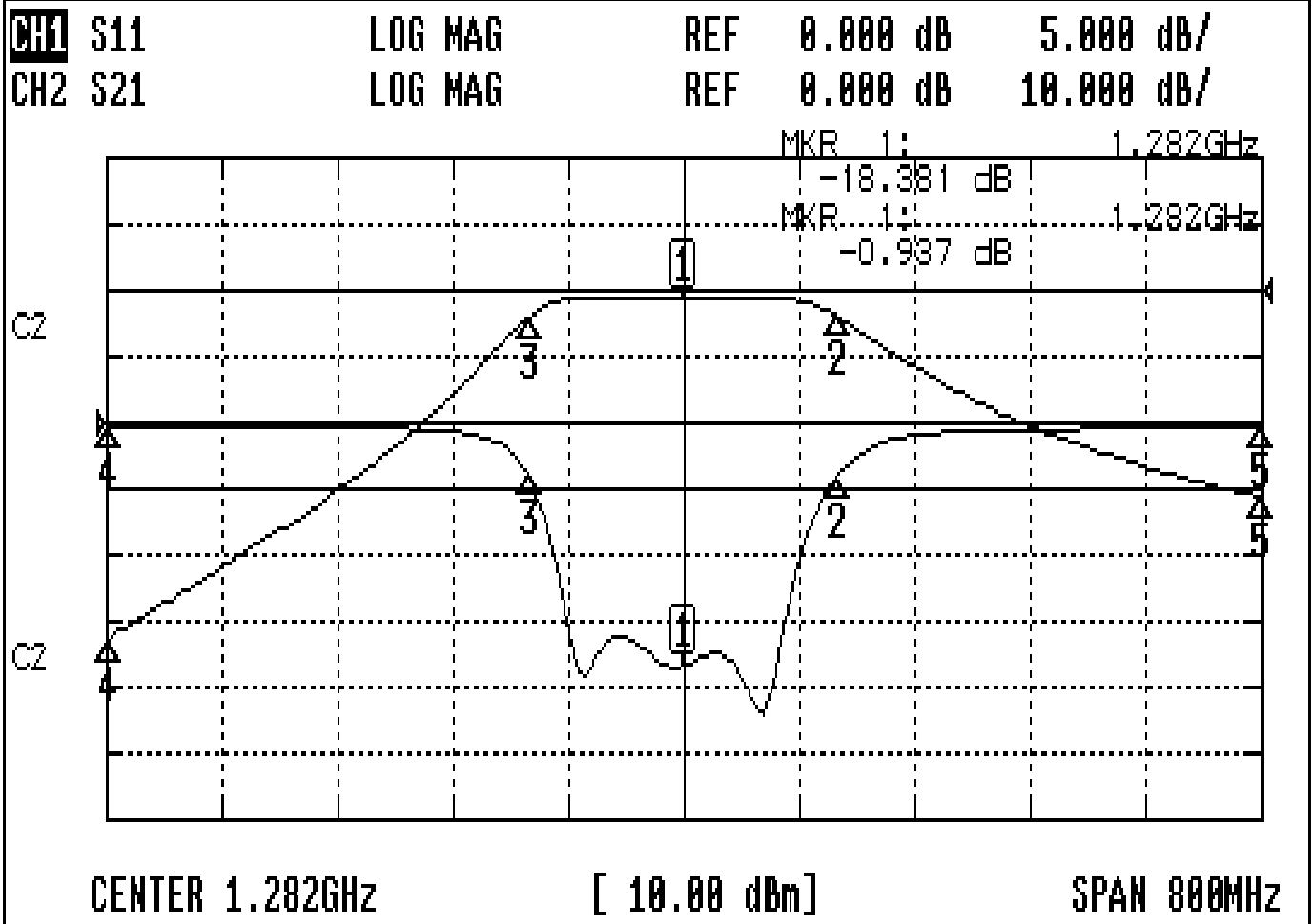


Approval	Supervisor	Designer	Aperture size
C.Y.Chang	C.K.Chang	Y.C.Kuo	7H3S(4*7.35)(7.38) 7H046RB6.5(J1)

TEMWELL CORPORATION

# Performance-TT63788F-1282M-200M

## 201804045CD



### CH1 MARKER LIST

1:	1.282	000	GHz	-18.381	dB
2:	1.389	333	GHz	-13.974	dB
3:	1.174	666	GHz	-14.036	dB
4:	882	.000	MHz	-0.215	dB
5:	1.682	000	GHz	-0.421	dB

### CH2 MARKER LIST

1:	1.282	000	GHz	-0.937	dB
2:	1.389	333	GHz	-3.970	dB
3:	1.174	666	GHz	-4.030	dB
4:	882	.000	MHz	-2.675	dB
5:	1.682	000	GHz	-31.182	dB