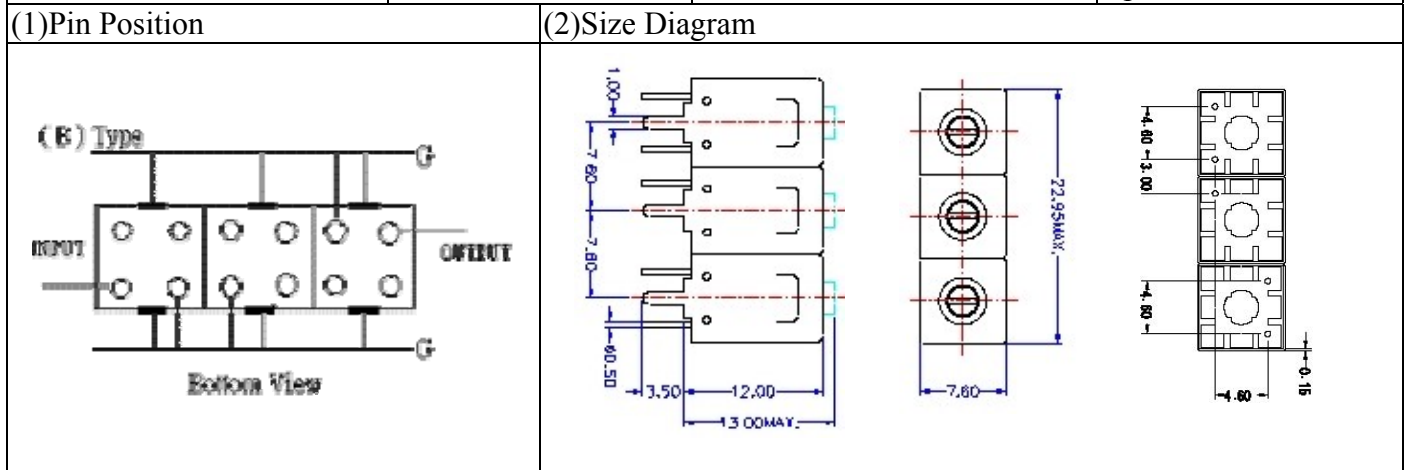
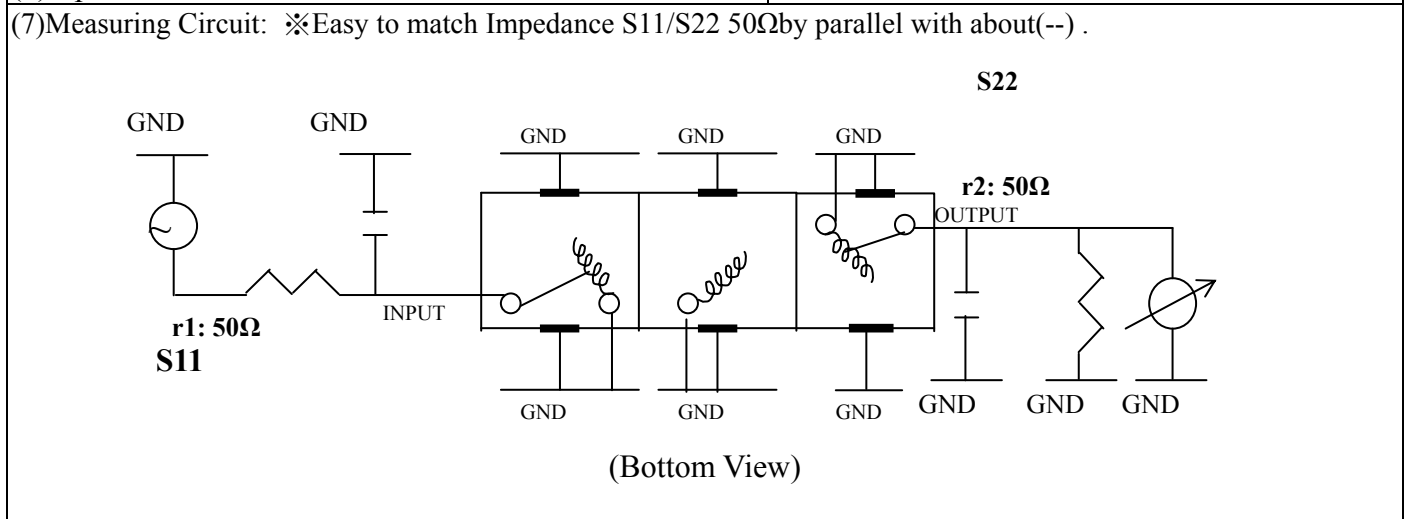


# VHF UHF Helical Filter Specification Sheet

Customer Name		Temwell's Part No.	TT63784B-1282M-20M
Approval No. /dated	201804041CD	Temwell's Print name.	63784B 1282M
Work Instruction No.	201804041CD	Date	Apr.27.2018



(3) Electric Characteristic			
Item	Specify		Performance
Center Freq.(Fo) +/- 0.5 %	1282	MHz	1282 MHz
Insertion Loss	Typ. 4.0	dB	3.23 dB
-3 dB Bandwidth	Typ. 20	MHz	29.6 MHz
Sensitivity (Attenuation)	Fo - 50 MHz	Typ. 27 dBc	31 dBc
	Fo + 50 MHz	Typ. 20 dBc	25 dBc
	Fo - ( ) MHz	Typ. dBc	dBc
	Fo + ( ) MHz	Typ. dBc	dBc
Return Loss	Min. 12	dB	25.5 dB
Ripple	< 1 dB		dB
Impedance	In / Out : 50 Ω		In / Out : 50 Ω
(4) Torque for Tuning Screw			
> 60gf · cm			
(5) Temperature Condition:			
Operating Temperature	0°C ~ +60°C		
Storage Temperature	-20°C ~ +70°C		
(6) Input Power			
> 1 Watt			

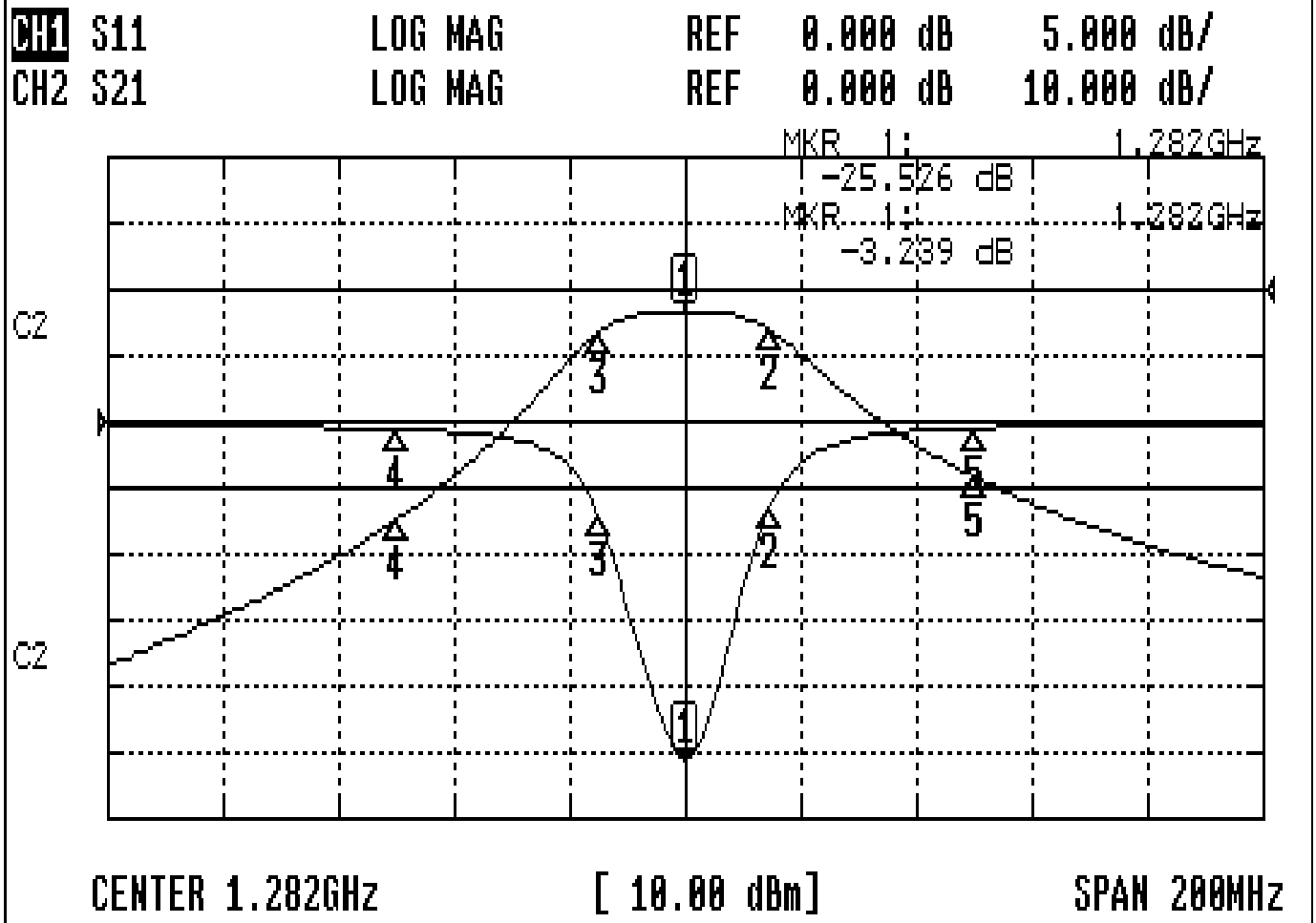


Approval	Supervisor	Designer	Aperture size
C.Y.Chang	C.K.Chang	C.H.Yeh	7H3S(4*4.65)(4.69) 7H046RB4.3 聚 3(J1)

TEMWELL CORPORATION

# Performance-TT63784B-1282M-20M

## 201804041CD



### CH1 MARKER LIST

Marker	Freq (GHz)	Magnitude (dB)
1	1.282000	-25.553
2	1.296833	-6.373
3	1.267150	-7.182
4	1.232000	-0.576
5	1.332000	-0.484

### CH2 MARKER LIST

Marker	Freq (GHz)	Magnitude (dB)
1	1.282000	-3.239
2	1.296833	-6.221
3	1.267150	-6.258
4	1.232000	-34.661
5	1.332000	-28.350