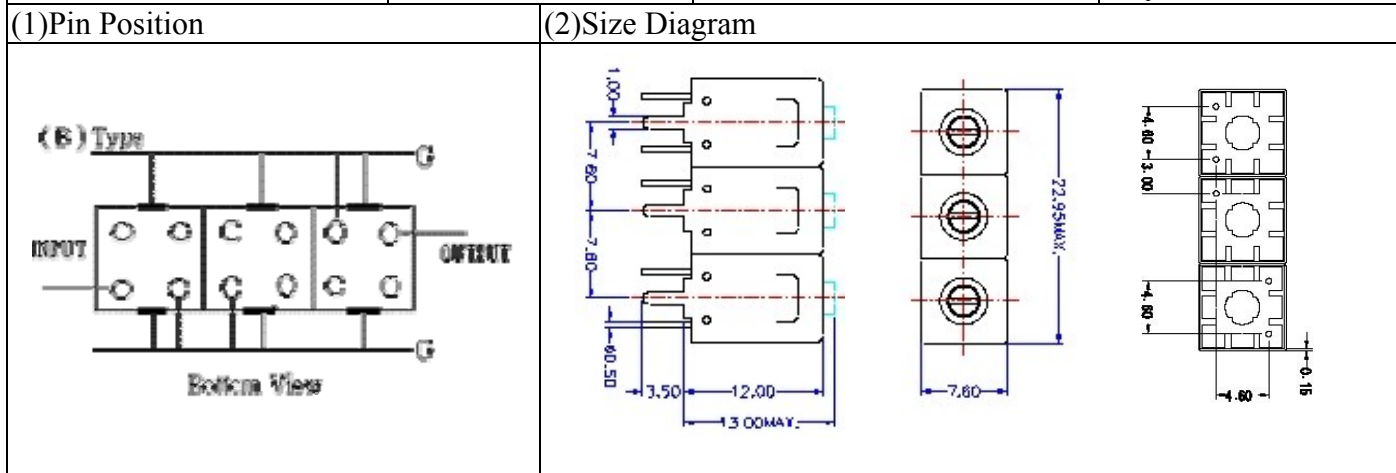


# VHF UHF Helical Filter Specification Sheet

Customer Name		Temwell's Part No.	TT63778B-223.5M-20M
Approval No. /dated	201804035CD	Temwell's Print name.	63778B 223.5M
Work Instruction No.	201804035CD	Date	May.9.2018



(3) Electric Characteristic

Item	Specify	Performance
Center Freq.(Fo ) +/- 0.5 %	223.5 MHz	223.5 MHz
Insertion Loss	Typ. 2.0 dB	1.18 dB
-3 dB Bandwidth	Typ. 20 MHz	23.2 MHz
Sensitivity (Attenuation)	Fo - 50 MHz	Typ. 60 dBc
	Fo + 50 MHz	Typ. 33 dBc
	Fo - ( ) MHz	Typ. dBc
	Fo + ( ) MHz	Typ. dBc
Return Loss	Min. 12 dB	27.2 dB
Ripple	< 1 dB	dB
Impedance	In / Out : 50 Ω	In / Out : 50 Ω

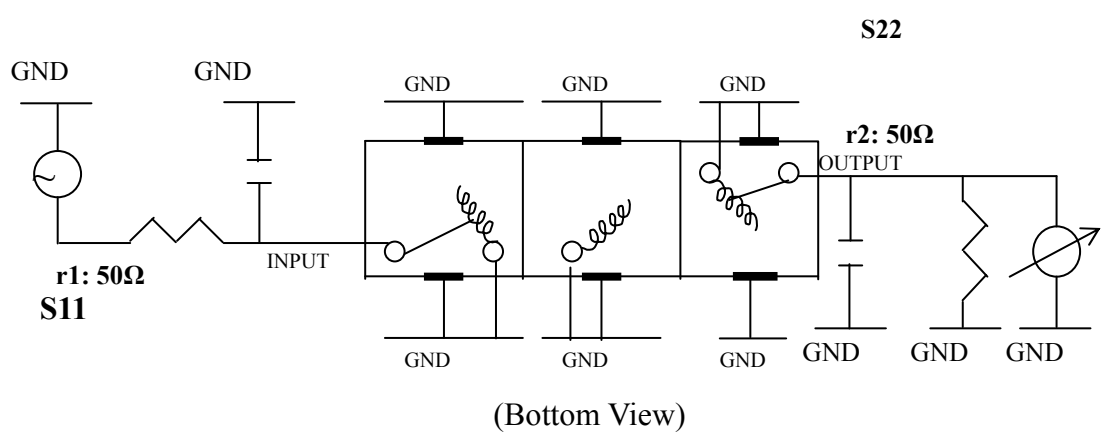
(4) Torque for Tuning Screw > 60gf · cm

(5) Temperature Condition:

Operating Temperature	0°C ~ +60°C
Storage Temperature	-20°C ~ +70°C

(6) Input Power > 1Watt

(7) Measuring Circuit: ※Easy to match Impedance S11/S22 50Ω by parallel with about(--).

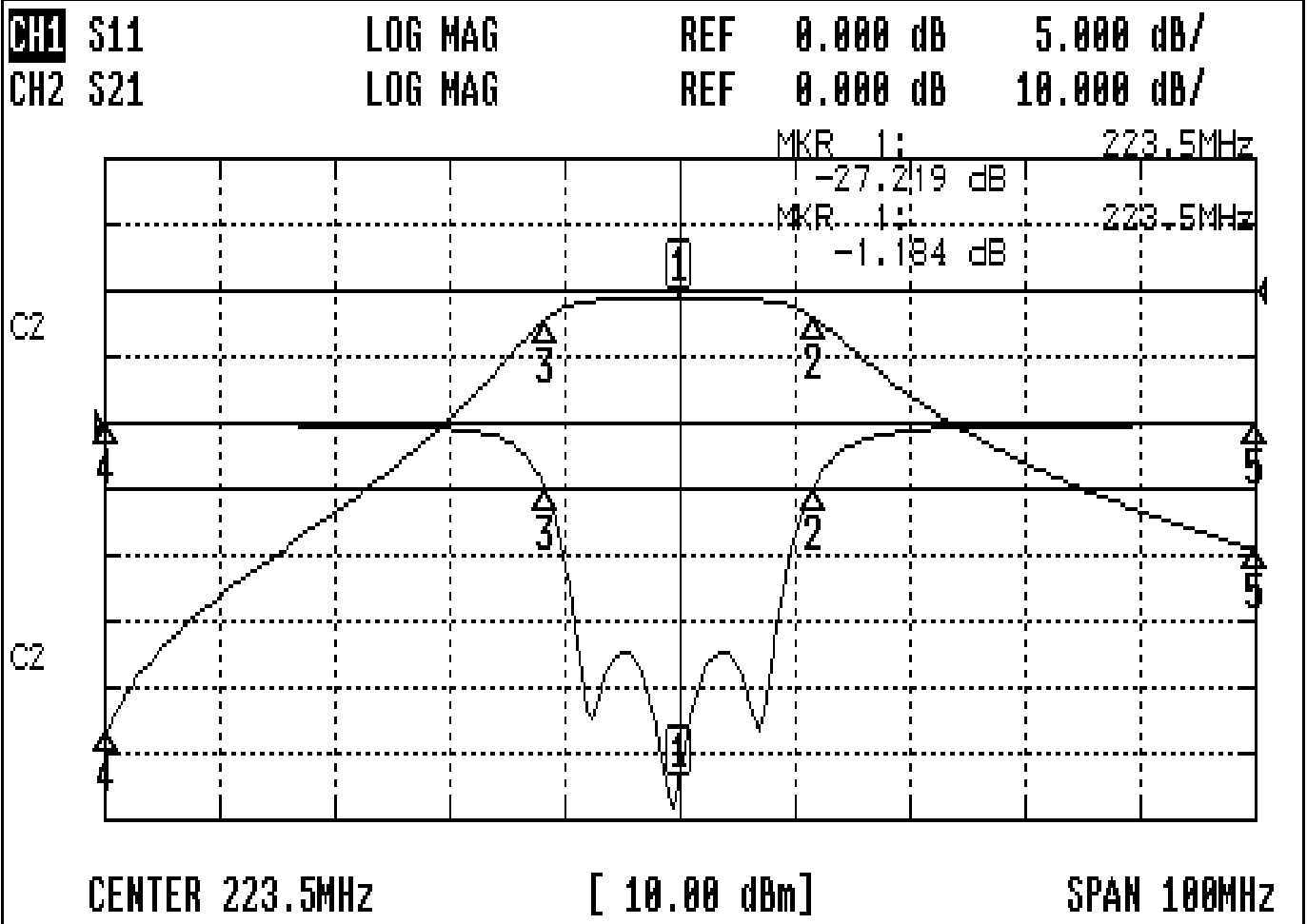


Approval	Supervisor	Designer	Aperture size
C.Y.Chang	C.K.Chang	C.H.Yeh	7H3S(4*7.35)(7.40) 7H046RB5.5

TEMWELL CORPORATION

# Performance-TT63778B-223.5M-20M

## 201804035CD



### CH1 MARKER LIST

Marker	Frequency (MHz)	Amplitude (dB)
1	223.500	-27.219
2	235.166	-4.836
3	211.940	-5.142
4	173.500	-0.101
5	273.500	-0.111

### CH2 MARKER LIST

Marker	Frequency (MHz)	Amplitude (dB)
1	223.500	-1.182
2	235.166	-4.137
3	211.940	-4.194
4	173.500	-66.713
5	273.500	-39.063