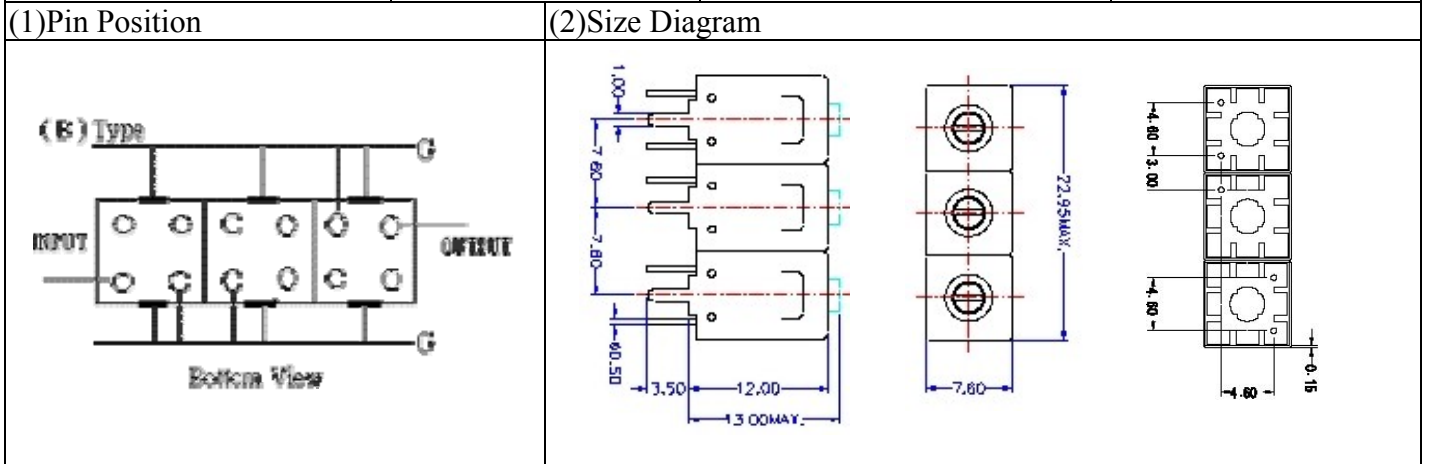


VHF UHF Helical Filter Specification Sheet

Customer Name		Temwell's Part No.	TT63722B-157M
Approval No. /dated	201711006CD	Temwell's Print name.	63722B 157M
Work Instruction No.	201711006CD	Date	Dec.05.2017



(3) Electric Characteristic

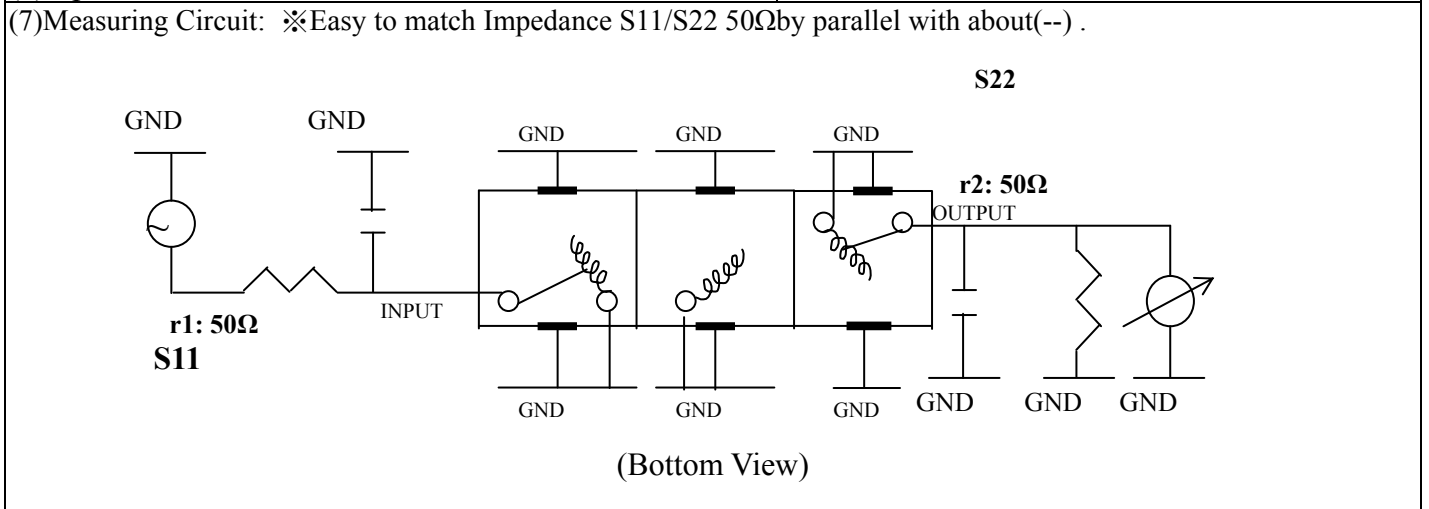
Item	Specify	Performance
Center Freq.(Fo) +/- 0.5 %	157 MHz	157 MHz
Insertion Loss	Typ. 5.0 dB	4.06 dB
-3 dB Bandwidth	Typ. 2 MHz	4.1 MHz
Sensitivity (Attenuation)	Fo - 10 MHz	Typ. 31 dBc
	Fo + 10 MHz	Typ. 28 dBc
	Fo - () MHz	Typ. dBc
	Fo + () MHz	Typ. dBc
Return Loss	Min. 12 dB	32.9 dB
Ripple	< 1 dB	dB
Impedance	In / Out : 50 Ω	In / Out : 50 Ω

(4) Torque for Tuning Screw > 60gf · cm

(5) Temperature Condition:

Operating Temperature	0°C ~ +60°C
Storage Temperature	-20°C ~ +70°C

(6) Input Power > 1 Watt



Approval	Supervisor	Designer	Aperture size
C.Y.Chang	C.K.Chang	C.S.Chang	7H3S(4*5.5)(5.52) 7H024RB4

TEMWELL CORPORATION

Performance-TT63722B-157M

201711006CD

Tr1 S11 Log Mag 5.000dB/ Ref 0.000dB [F2]
Tr2 S21 Log Mag 10.00dB/ Ref 0.000dB [F2]

