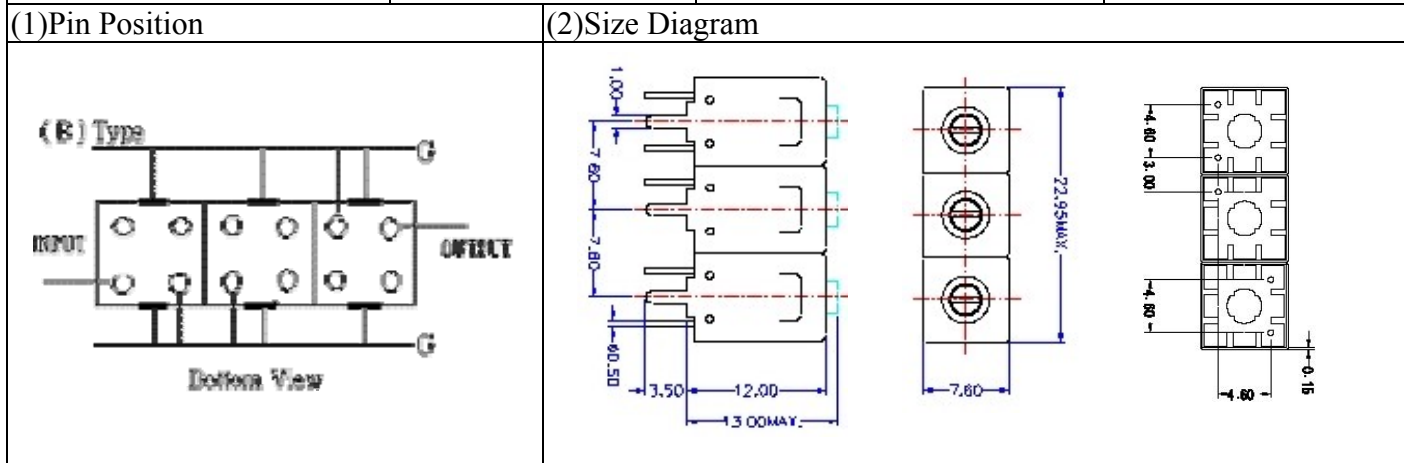


VHF UHF Helical Filter Specification Sheet

Customer Name		Temwell's Part No.	TT63721B-146M
Approval No. /dated	201711005CD	Temwell's Print name.	63721B 146M
Work Instruction No.	201711005CD	Date	Dec.07.2017



(3) Electric Characteristic

Item	Specify	Performance	
Center Freq.(Fo) +/- 0.5 %	146 MHz	146 MHz	
Insertion Loss	Typ. 5.0 dB	4.32 dB	
-3 dB Bandwidth	Typ. 2 MHz	3.7 MHz	
Sensitivity (Attenuation)	Fo - 10 MHz	Typ. 38 dBc	41 dBc
	Fo + 10 MHz	Typ. 31 dBc	34 dBc
	Fo - () MHz	Typ. dBc	dBc
	Fo + () MHz	Typ. dBc	dBc
Return Loss	Min. 12 dB	23.8 dB	
Ripple	< 1 dB	dB	
Impedance	In / Out : 50 Ω	In / Out : 50 Ω	

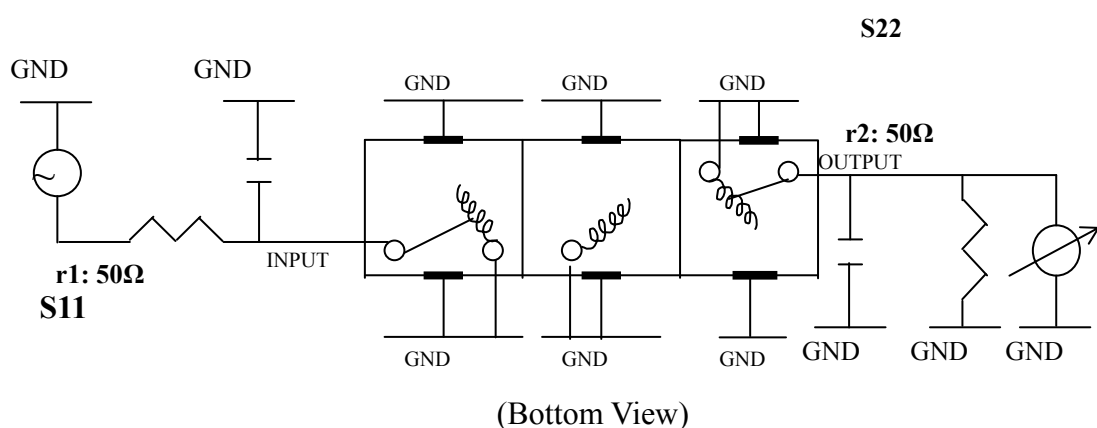
(4) Torque for Tuning Screw > 60gf · cm

(5) Temperature Condition:

Operating Temperature	0°C ~ +60°C
Storage Temperature	-20°C ~ +70°C

(6) Input Power > 1Watt

(7) Measuring Circuit: ※Easy to match Impedance S11/S22 50Ω by parallel with about(--).



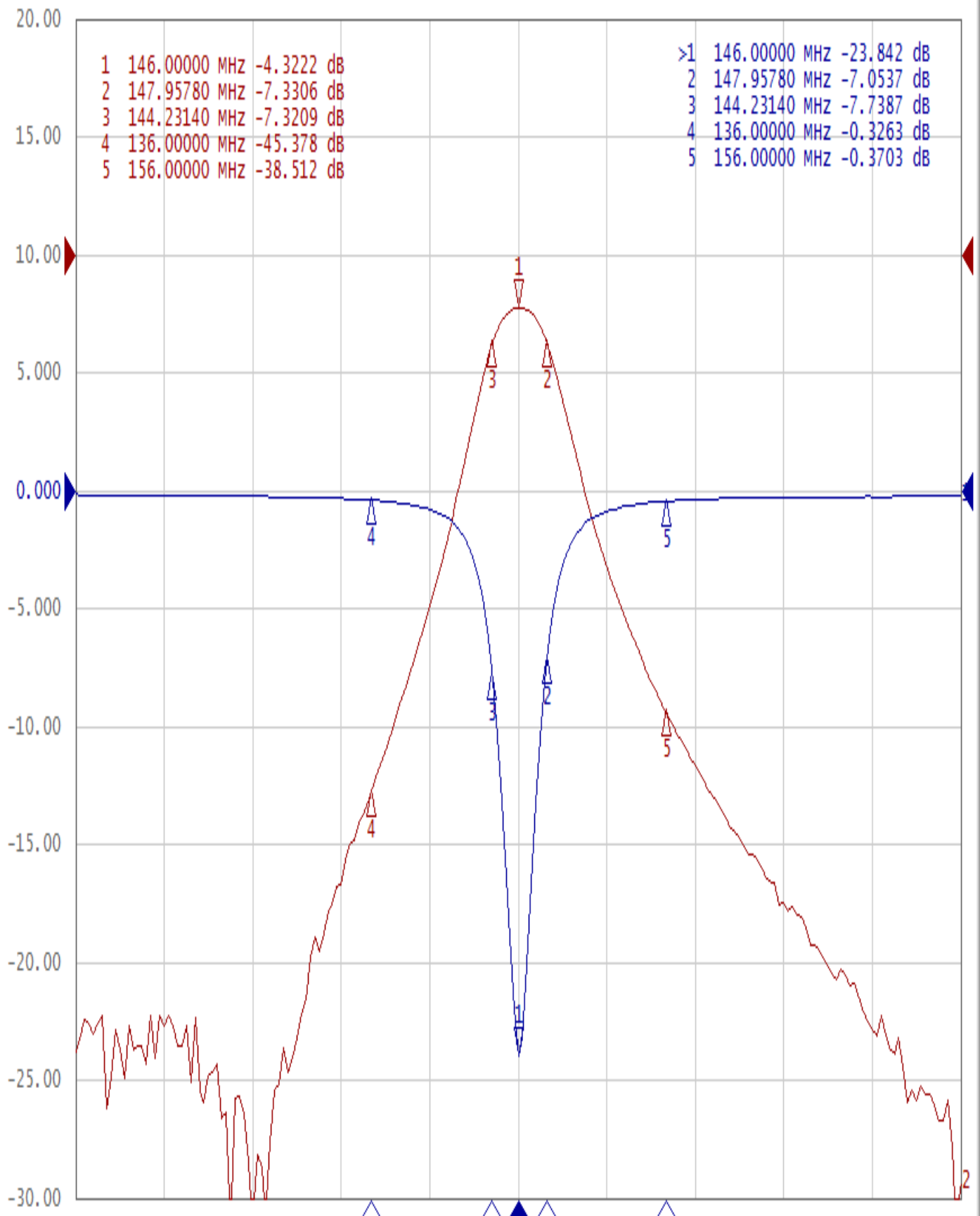
Approval	Supervisor	Designer	Aperture size
C.Y.Chang	C.K.Chang	C.S.Chang	7H3S(4*5.5)(5.52) 7H024RB4

TEMWELL CORPORATION

Performance-TT63721B-146M

201711005CD

Tr1 S11 Log Mag 5.000dB/ Ref 0.000dB [F2]
Tr2 S21 Log Mag 10.00dB/ Ref 0.000dB [F2]



Label	Frequency (MHz)	Magnitude (dB)
>1	146.00000	-23.842
2	147.95780	-7.0537
3	144.23140	-7.7387
4	136.00000	-0.3263
5	156.00000	-0.3703

1 Center 146 MHz

IFBW 70 kHz

Span 60 MHz Cor!