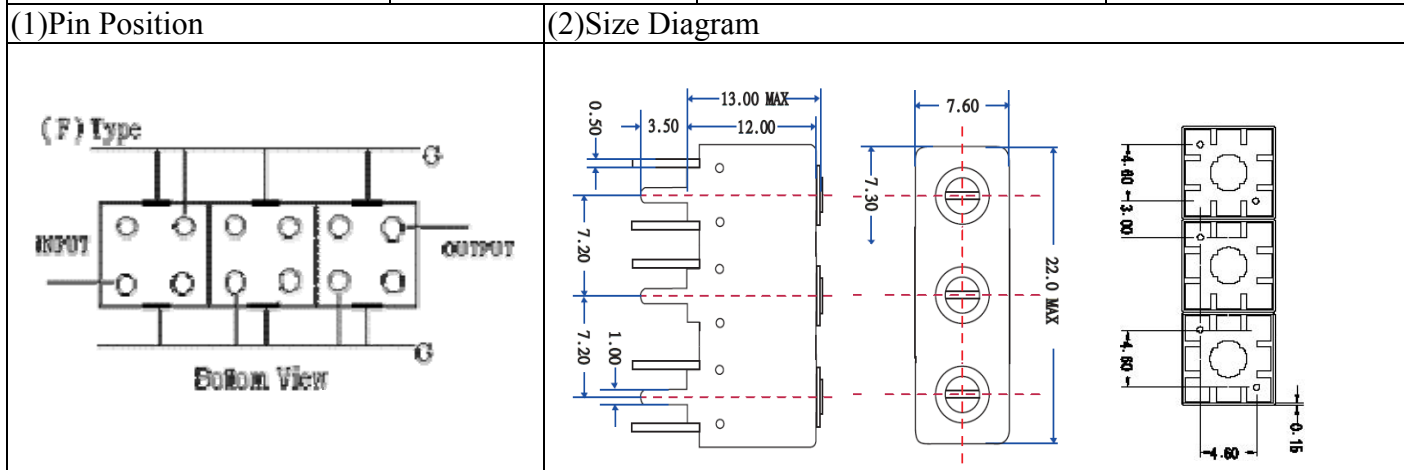


VHF UHF Helical Filter Specification Sheet

Customer Name		Temwell's Part No.	TT63569F-600M
Approval No. /dated		Temwell's print name	63569F 600M
Work Instruction No.	201605017CD	Date	Jun.08.2016



(3) Electric Characteristic

Item	Specify	Performance
Center Freq.(Fo) +/- 0.5 %	600 MHz	600 MHz
Insertion Loss	Typ. 2.0 dB	0.52 dB
-3 dB Bandwidth	Typ. 140 MHz	152.4 MHz
Sensitivity (Attenuation)	Fo - 150 MHz	>. 10 dB
	Fo + 150 MHz	>. 10 dB
	Fo - ()MHz	Typ. dB
	Fo + ()MHz	Typ. dB
Return Loss	Min. 12 dB	27.2 dB
Ripple	< 1 dB	dB
Impedance	In / Out : 50 Ω	In / Out : 50 Ω

(4) Torque for Tuning Screw

> 60gf · cm

(5) Temperature Condition:

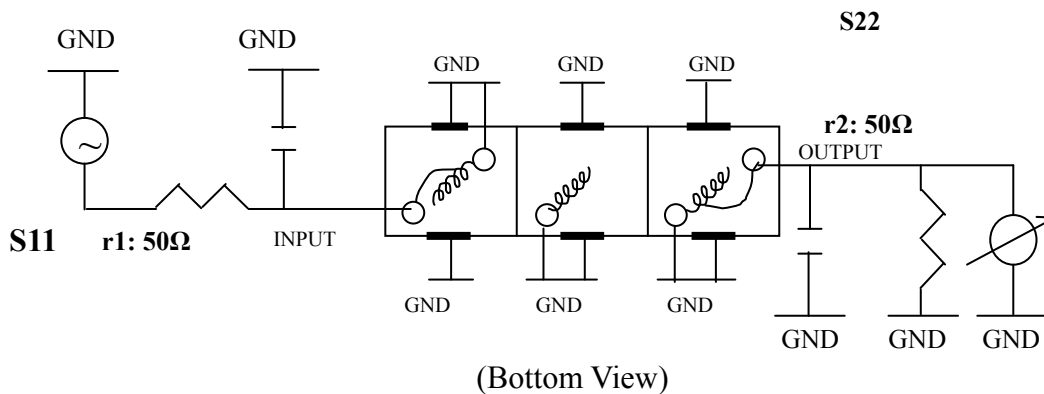
Operating Temperature 0°C ~ +60°C

Storage Temperature -20°C ~ +70°C

(6) Input Power

> 1Watt

(7) Measuring Circuit: ※Easy to match Impedance S11/S22 50Ω by parallel with about(- -).



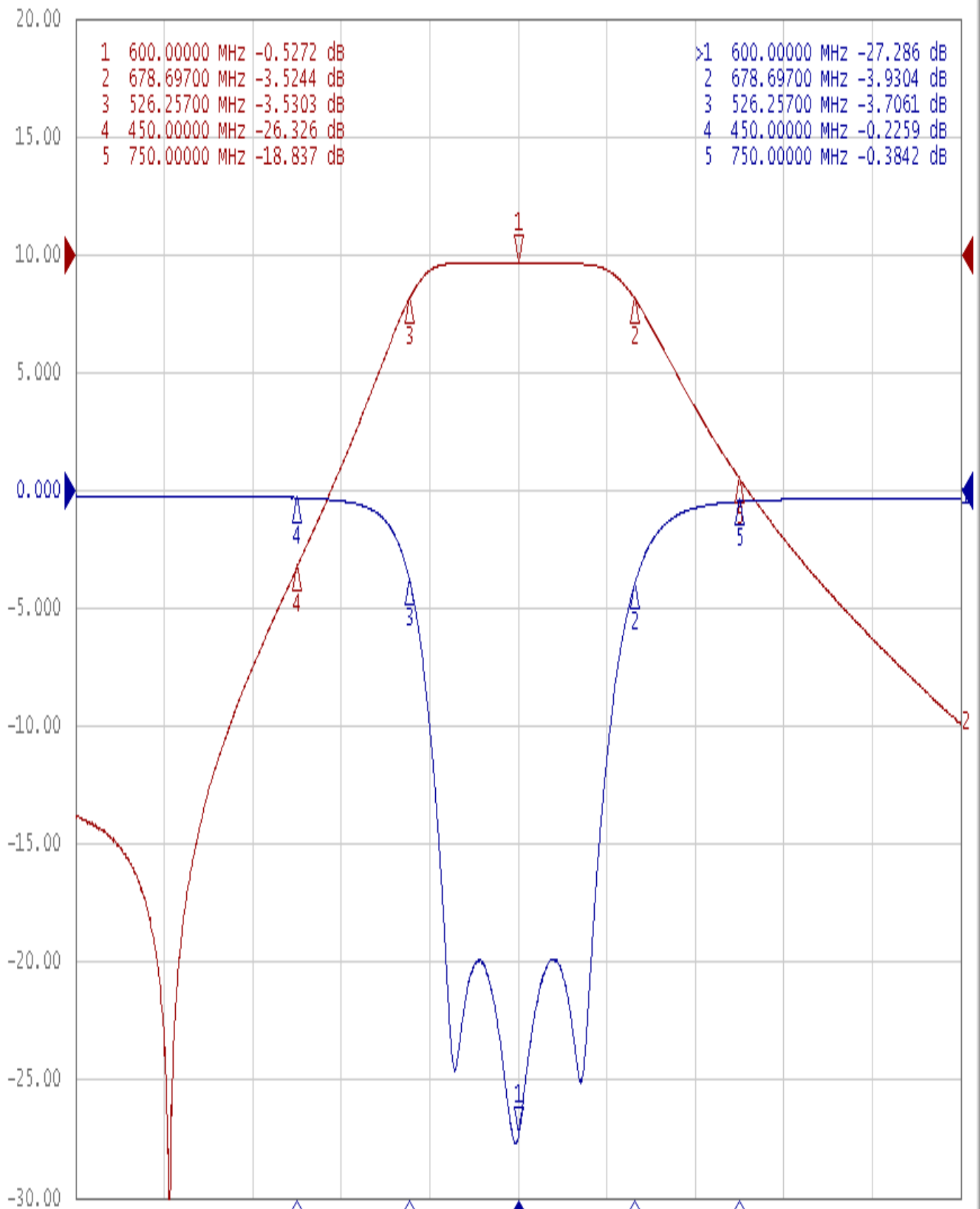
Approval C.Y.Chang	Supervisor C.K.Chang	Designer C.S.Chang	Aperture size M環 7HB3SM 7H046RB6.5
-----------------------	-------------------------	-----------------------	--

TEMWELL CORPORATION

Performance-TT63569F-600M

201606017CD

Tr1 S11 Log Mag 5.000dB/ Ref 0.000dB [F2]
Tr2 S21 Log Mag 10.00dB/ Ref 0.000dB [F2]



1 Center 600 MHz

IFBW 10 kHz

Span 600 MHz Cor !