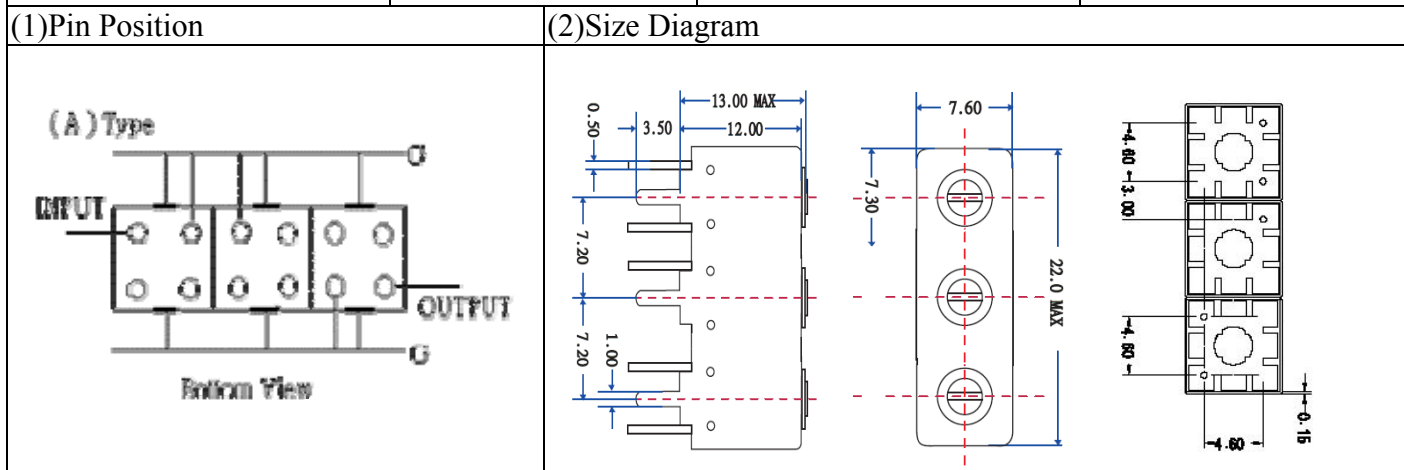


# VHF UHF Helical Filter Specification Sheet

Customer Name		Temwell's Part No.	TT63568A-500M
Approval No. /dated		Temwell's Print name	63568A 500M
Work Instruction No.	201606016CD	Date	Jun.07.2016



### (3) Electric Characteristic

Item	Specify	Performance
Center Freq.(Fo) +/- 0.5 %	500 MHz	500 MHz
Insertion Loss	Typ. 2.0 dB	0.55 dB
-3 dB Bandwidth	Typ. 130 MHz	144.1 MHz
Sensitivity (Attenuation)	Fo - 150 MHz	> 10 dB
	Fo +150 MHz	> 10 dB
	Fo - ( )MHz	Typ. dB
	Fo + ( )MHz	Typ. dB
Return Loss	Min. 12 dB	27.0 dB
Ripple	< 1 dB	
Impedance	In / Out : 50 Ω	In / Out : 50 Ω

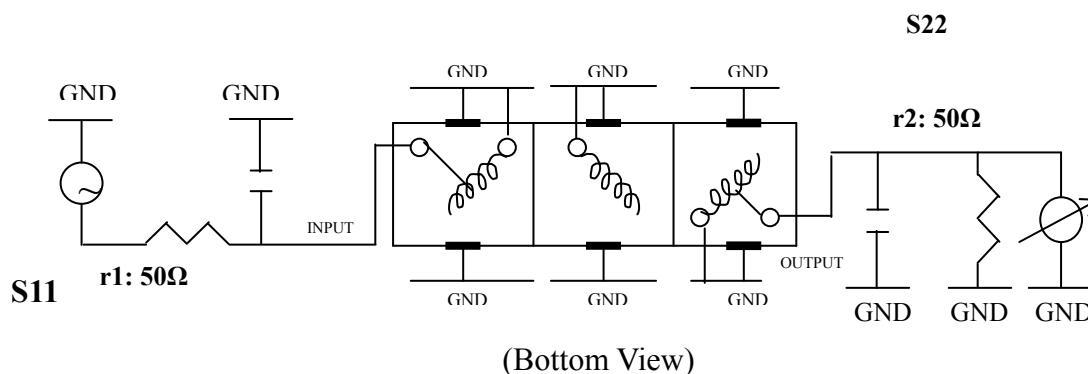
(4) Torque for Tuning Screw > 60gf · cm

(5) Temperature Condition:

Operating Temperature	0°C ~ +60°C
Storage Temperature	-20°C ~ +70°C

(6) Input Power > 1Watt

(7) Measuring Circuit: ※Easy to match Impedance S11/S22 50Ω by parallel with about(- -).



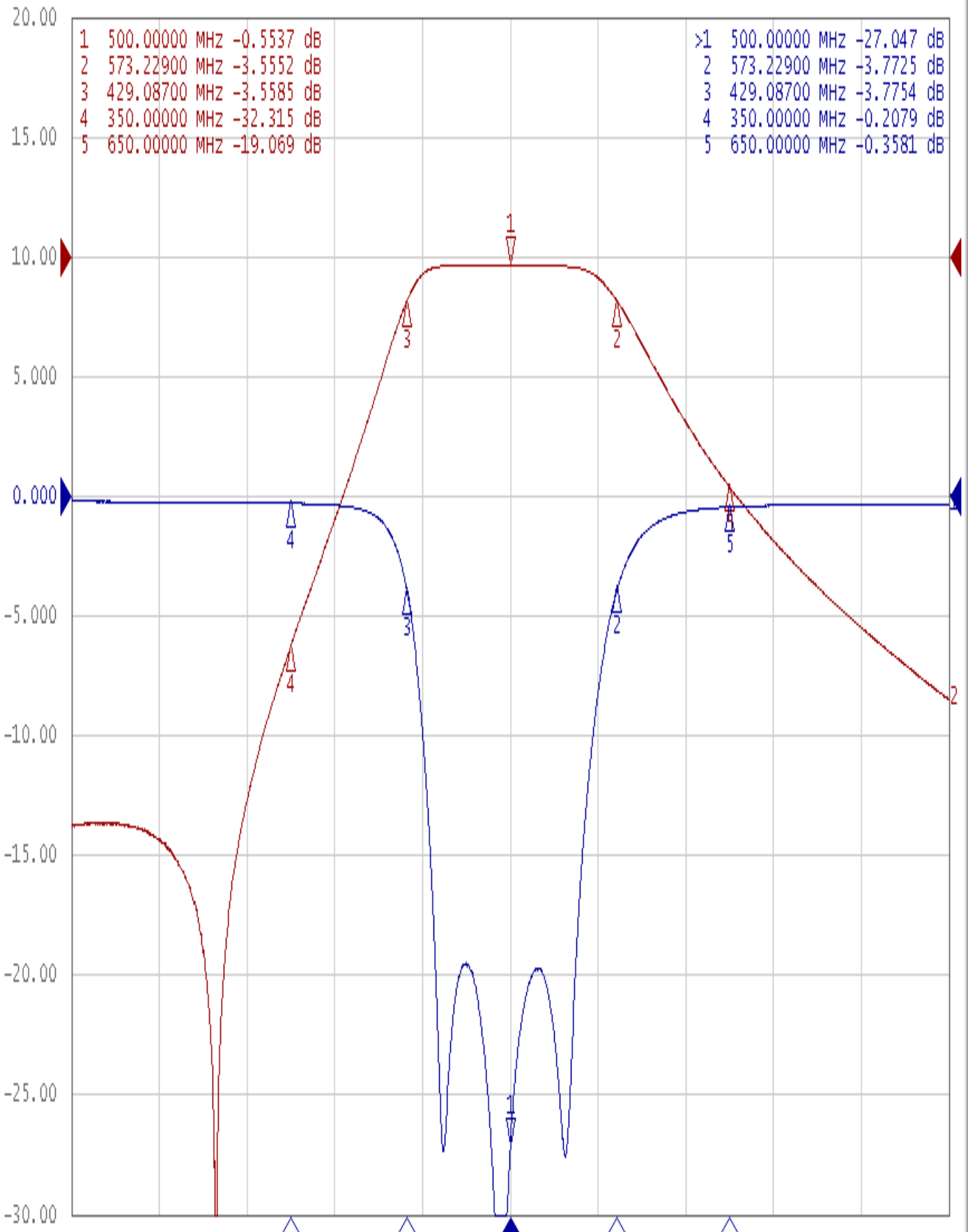
Approval C.Y.Chang	Supervisor C.K.Chang	Designer C.S.Chang	Aperture size M環 7HB3SM 7H046RB6.5
-----------------------	-------------------------	-----------------------	--

TEMWELL CORPORATION

# Performance-TT63568A-500M

## 201606016CD

Tr1 S11 Log Mag 5.000dB/ Ref 0.000dB [F2]  
Tr2 S21 Log Mag 10.00dB/ Ref 0.000dB [F2]



1 Center 500 MHz

IFBW 10 kHz

Span 600 MHz Cor !