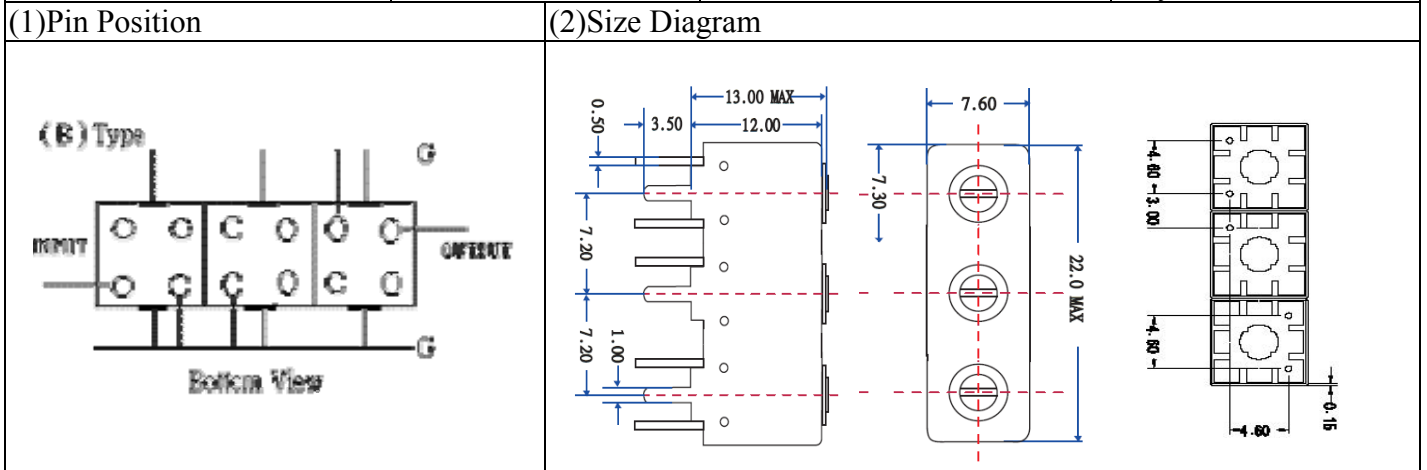


VHF UHF Helical Filter Specification Sheet

Customer Name		Temwell's Part No.	TT63567B-1500M
Approval No. /dated	201605020CD	Temwell's Print name	63567B 1500M
Work Instruction No.	201605020CD	Date	May.25.2016



(3) Electric Characteristic

Item	Specify	Performance
Center Freq.(Fo) +/- 0.5 %	1500 MHz	1500 MHz
Insertion Loss	Typ. 2.0 dB	0.70 dB
-3 dB Bandwidth	Typ. 300 MHz	313.2 MHz
Sensitivity (Attenuation)	Fo - 400 MHz	> 10 dB
	Fo + 400 MHz	> 10 dB
	Fo - ()MHz	Typ. dBc
	Fo + ()MHz	Typ. dBc
Return Loss	Min. 12 dB	18.7 dB
Ripple	< 1 dB	
Impedance	In / Out : 50 Ω	In / Out : 50 Ω

(4) Torque for Tuning Screw

> 60gf · cm

(5) Temperature Condition:

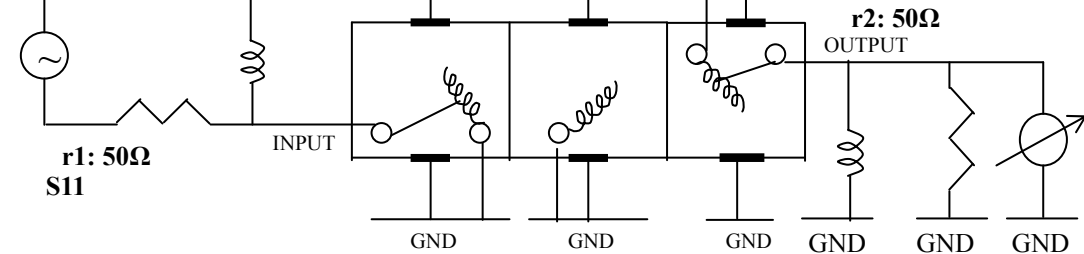
Operating Temperature: 0°C ~ +60°C

Storage Temperature: -20°C ~ +70°C

(6) Input Power

> 1Watt

(7) Measuring Circuit: ※Easy to match Impedance S11/S22 50Ω by parallel with about(--)



(Bottom View)

Approval	Supervisor	Designer	Aperture size
C.Y.Chang	C.K.Chang	C.S.Chang	M 環 7HB3SM 7H046RB6.5

TEMWELL CORPORATION

Performance-TT63567B-1500M

201605020CD

Tr1 S11 Log Mag 5.000dB/ Ref 0.000dB [F2]
Tr2 S21 Log Mag 10.000dB/ Ref 0.000dB [F2]

