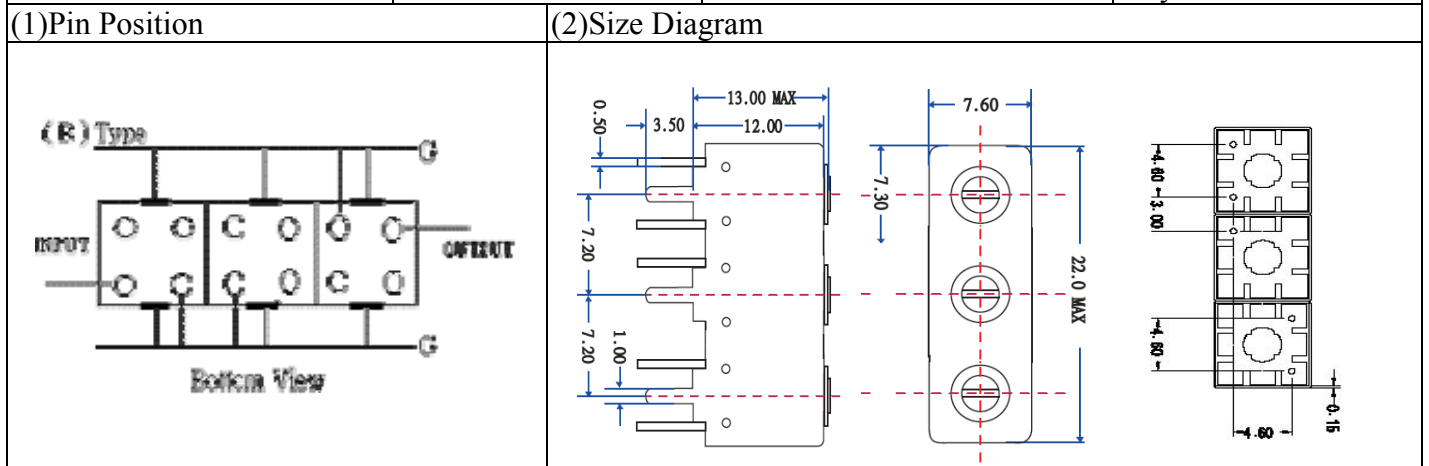


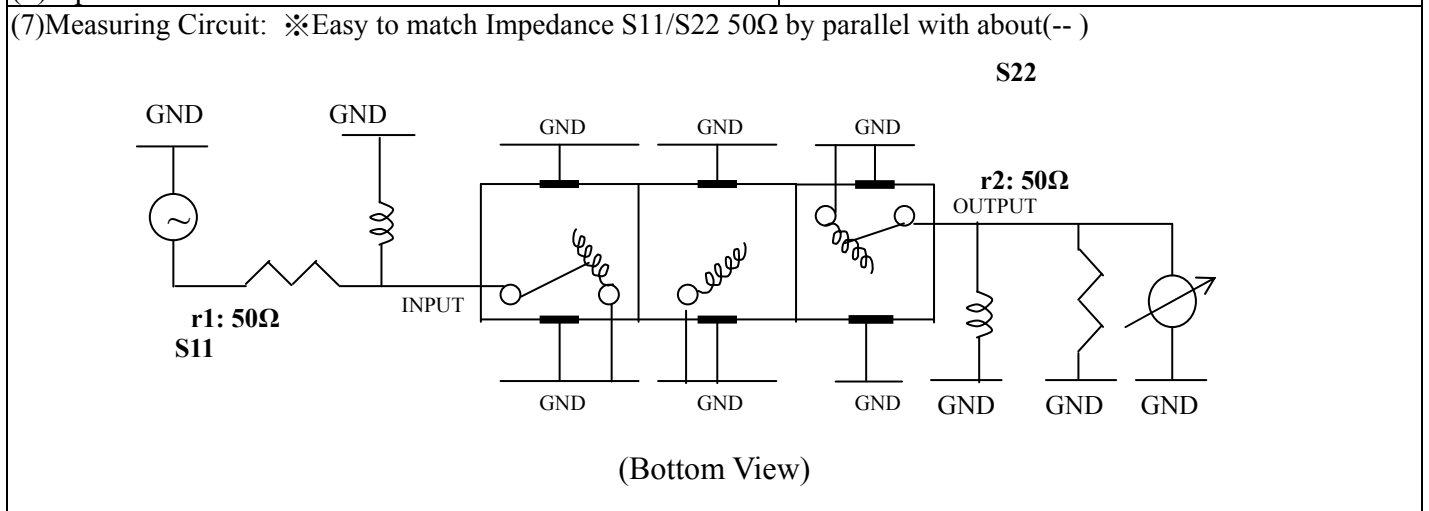
VHF UHF Helical Filter Specification Sheet

Customer Name		Temwell's Part No.	TT63566B-1400M
Approval No. /dated	201605019CD	Temwell's Print name	63566B 1400M
Work Instruction No.	201605019CD	Date	May.13.2016



(3) Electric Characteristic					
Item		Specify		Performance	
Center Freq.(Fo) +/- 0.5 %		1400 MHz		1400 MHz	
Insertion Loss		Typ. 2.0 dB		0.50 dB	
-3 dB Bandwidth		Typ. 280 MHz		309.0 MHz	
Sensitivity (Attenuation)	Fo - 400 MHz	> 10 dB		36 dB	
	Fo + 400 MHz	> 10 dB		19 dB	
	Fo - ()MHz	Typ. dBc		dBc	
	Fo + ()MHz	Typ. dBc		dBc	
Return Loss		Min. 12 dB		35.0 dB	
Ripple		< 1 dB		dB	
Impedance		In / Out : 50 Ω		In / Out : 50 Ω	
(4) Torque for Tuning Screw		> 60gf · cm			

(5) Temperature Condition:	
Operating Temperature	0°C ~ +60°C
Storage Temperature	-20°C ~ +70°C
(6) Input Power	> 1Watt



Approval	Supervisor	Designer	Aperture size
C.Y.Chang	C.K.Chang	C.S.Chang	M 環 7HB3SM 7H046RB6.5
TEMWELL CORPORATION			

Performance-TT63566B-1400M

201605019CD

Tr1 S11 Log Mag 5.000dB/ Ref 0.000dB [F2]
Tr2 S21 Log Mag 10.00dB/ Ref 0.000dB [F2]

