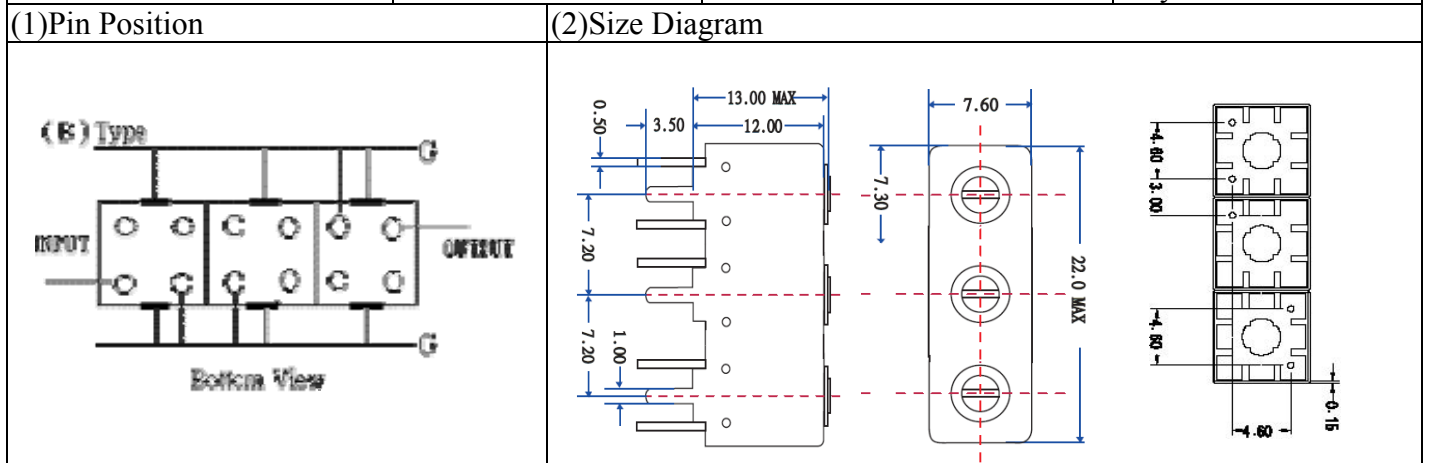


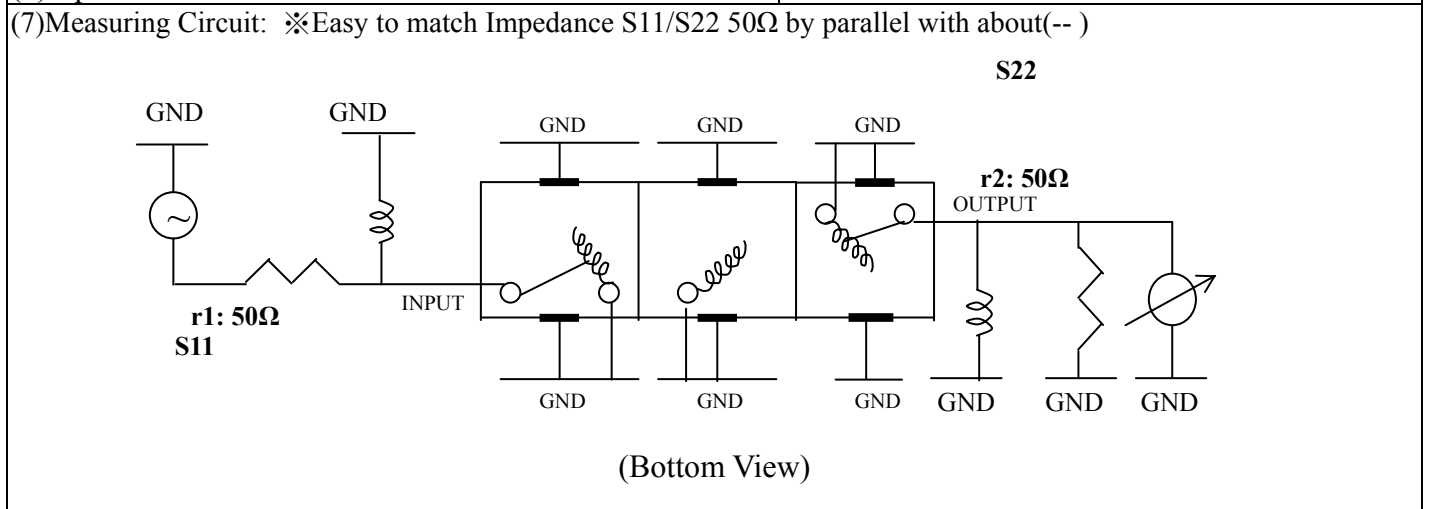
VHF UHF Helical Filter Specification Sheet

| | | | |
|----------------------|-------------|----------------------|-----------------|
| Customer Name | | Temwell's Part No. | TT63565B-1300M |
| Approval No. /dated | 201605018CD | Temwell's Print name | 63565B 1300M |
| Work Instruction No. | 201605018CD | Date | May.13.2016 |



| | | | | | |
|------------------------------|--------------|-----------------|--|-----------------|--|
| (3) Electric Characteristic | | | | | |
| Item | | Specify | | Performance | |
| Center Freq.(Fo) +/- 0.5 % | | 1300 MHz | | 1300 MHz | |
| Insertion Loss | | Typ. 2.0 dB | | 1.09 dB | |
| -3 dB Bandwidth | | Typ. 260 MHz | | 280.4 MHz | |
| Sensitivity (Attenuation) | Fo - 400 MHz | > 10 dB | | 41 dB | |
| | Fo + 400 MHz | > 10 dB | | 21 dB | |
| | Fo - ()MHz | Typ. dBc | | dBc | |
| | Fo + ()MHz | Typ. dBc | | dBc | |
| Return Loss | | Min. 12 dB | | 33.9 dB | |
| Ripple | | < 1 dB | | dB | |
| Impedance | | In / Out : 50 Ω | | In / Out : 50 Ω | |
| (4) Torque for Tuning Screw | | > 60gf · cm | | | |

| | |
|----------------------------|---------------|
| (5) Temperature Condition: | |
| Operating Temperature | 0°C ~ +60°C |
| Storage Temperature | -20°C ~ +70°C |
| (6) Input Power | |
| > 1 Watt | |



| | | | |
|---------------------|------------|-----------|--------------------------|
| Approval | Supervisor | Designer | Aperture size |
| C.Y.Chang | C.K.Chang | C.S.Chang | M 環 7HB3SM 7H046RB6.5 |
| TEMWELL CORPORATION | | | |

Performance-TT63565B-1300M

201605018CD

