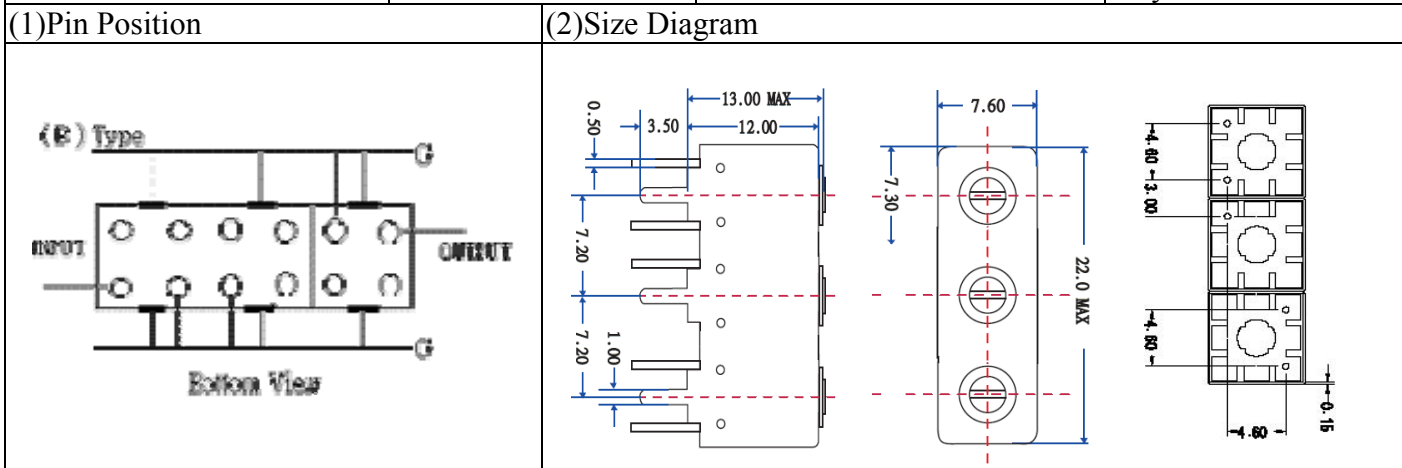


# VHF UHF Helical Filter Specification Sheet

Customer Name		Temwell's Part No.	TT63561B-800M
Approval No. /dated	201605014CD	Temwell's Print name	63561B 800M
Work Instruction No.	201605014CD	Date	May.20.2016



### (3) Electric Characteristic

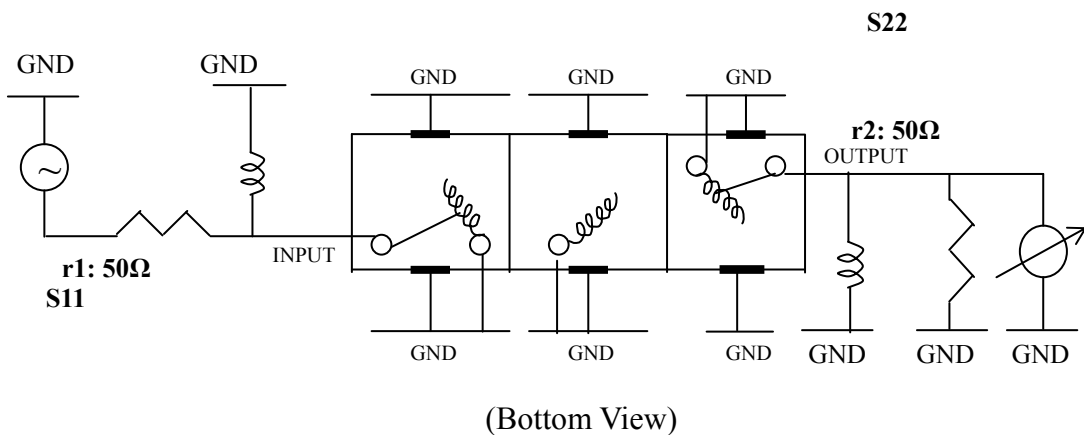
Item	Specify	Performance
Center Freq.(Fo) +/- 0.5 %	800 MHz	800 MHz
Insertion Loss	Typ. 2.0 dB	0.65 dB
-3 dB Bandwidth	Typ. 160 MHz	175.5 MHz
Sensitivity (Attenuation)	Fo - 150 MHz	> 10 dB
	Fo + 150 MHz	> 10 dB
	Fo - ( )MHz	Typ. dBc
	Fo + ( )MHz	Typ. dBc
Return Loss	Min. 12 dB	17.1 dB
Ripple	< 1 dB	
Impedance	In / Out : 50 Ω	In / Out : 50 Ω
(4) Torque for Tuning Screw	> 60gf • cm	

### (5) Temperature Condition:

Operating Temperature	0°C ~ +60°C
Storage Temperature	-20°C ~ +70°C

### (6) Input Power

(7) Measuring Circuit: ※ Easy to match Impedance S11/S22 50Ω by parallel with about(--)



Approval	Supervisor	Designer	Aperture size
C.Y.Chang	C.K.Chang	P.H.Chiang	M 環 7HB3SM 7H046RB5.5/7H046RB6.5

TEMWELL CORPORATION

# Performance-TT63561B-800M

## 201605014CD

