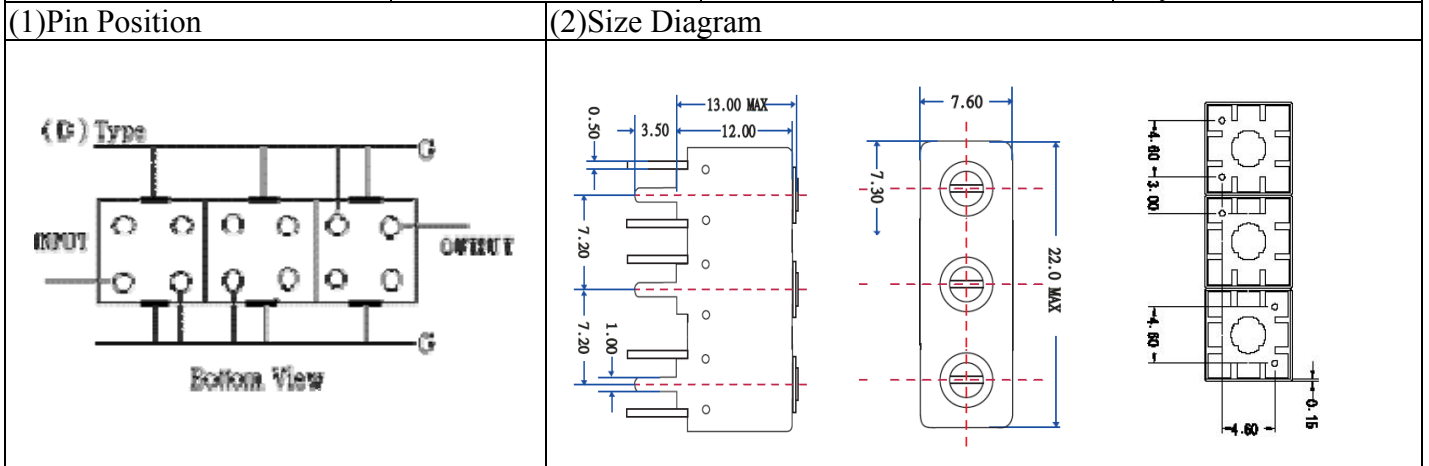


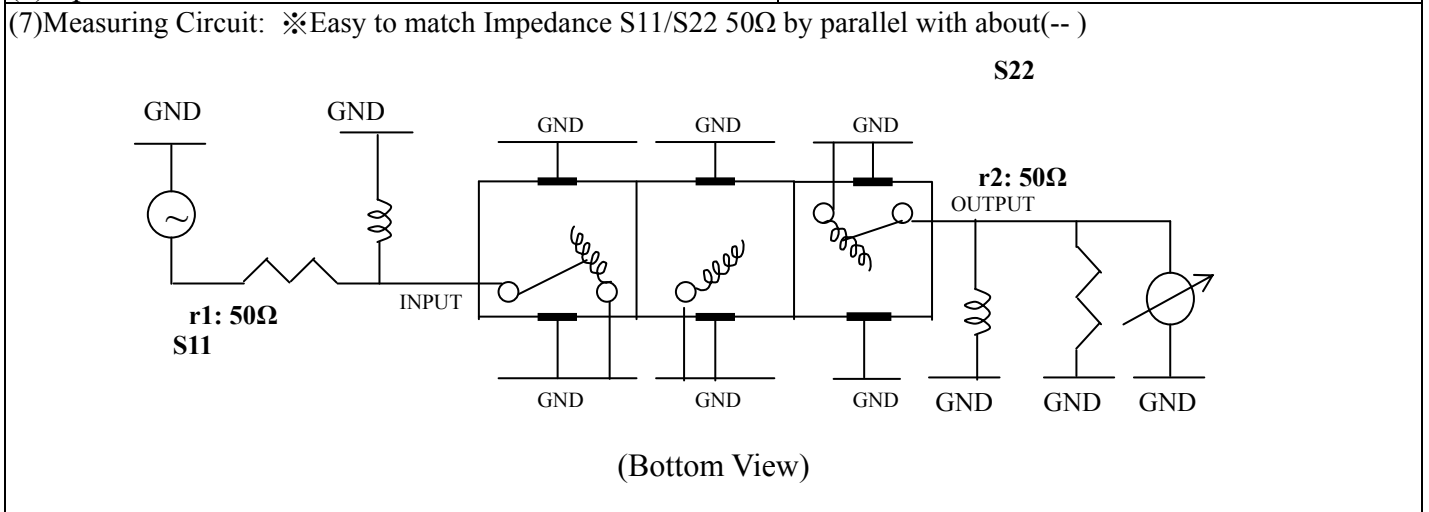
# VHF UHF Helical Filter Specification Sheet

Customer Name		Temwell's Part No.	TT63556B-200M
Approval No. /dated	201605009CD	Temwell's Print name	63556B 200M
Work Instruction No.	201605009CD	Date	May.20.2016



(3) Electric Characteristic					
Item		Specify		Performance	
Center Freq.(Fo) +/- 0.5 %		200 MHz		200 MHz	
Insertion Loss		Typ. 2.0 dB		0.50 dB	
-3 dB Bandwidth		Typ. 60 MHz		64.6 MHz	
Sensitivity (Attenuation)	Fo - 100 MHz	> 10 dB		42 dB	
	Fo + 100 MHz	> 10 dB		29 dB	
	Fo - ( )MHz	Typ. dBc		dBc	
	Fo + ( )MHz	Typ. dBc		dBc	
Return Loss		Min. 12 dB		22.2 dB	
Ripple		< 1 dB		dB	
Impedance		In / Out : 50 Ω		In / Out : 50 Ω	
(4) Torque for Tuning Screw		> 60gf · cm			

(5) Temperature Condition:	
Operating Temperature	0°C ~ +60°C
Storage Temperature	-20°C ~ +70°C
(6) Input Power	> 1 Watt



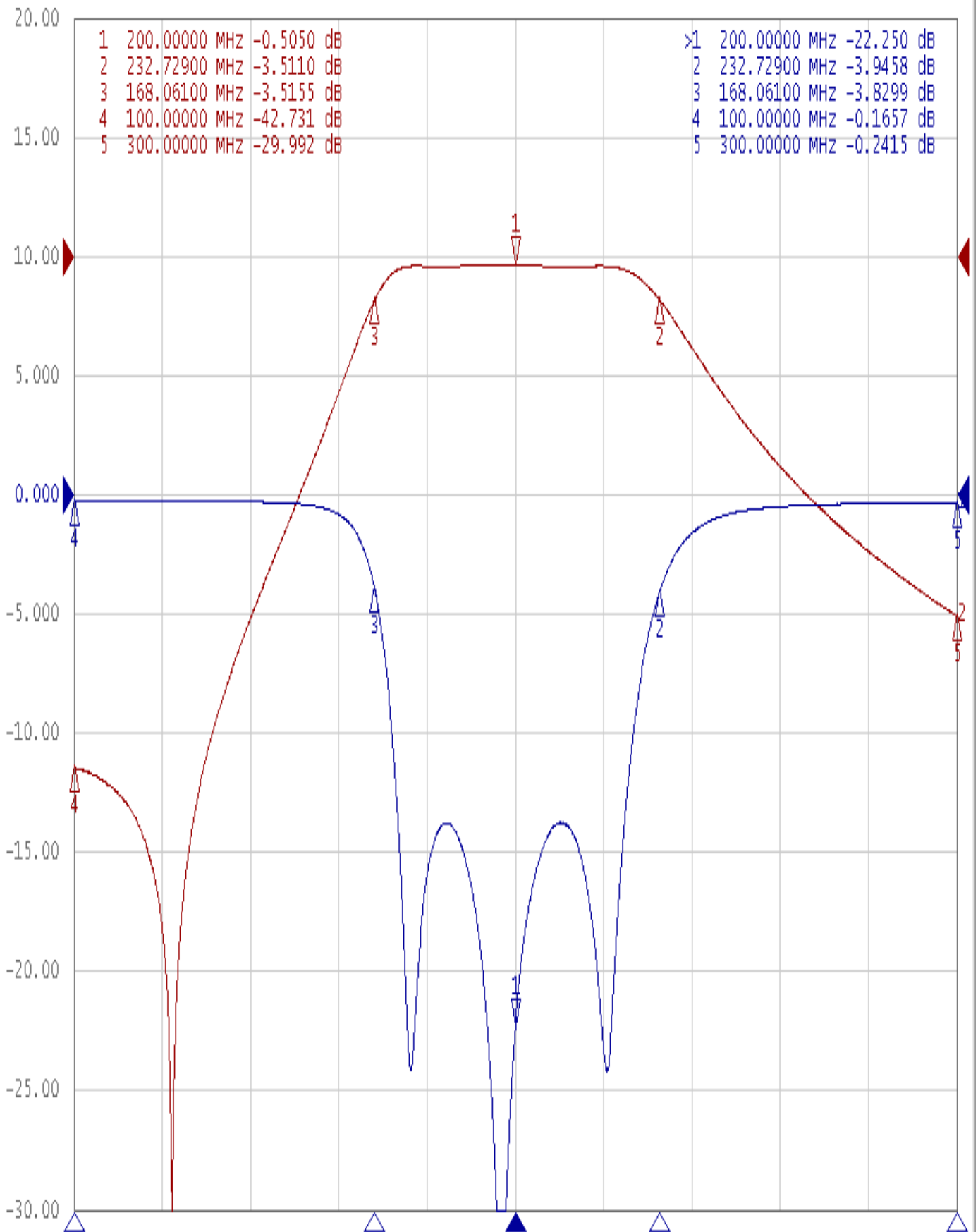
Approval	Supervisor	Designer	Aperture size
C.Y.Chang	C.K.Chang	C.S.Chang	M環 7HB3SM 7H024LB6.5

TEMWELL CORPORATION

# Performance-TT63556B-200M

## 201605009CD

Tr1 S11 Log Mag 5.000dB/ Ref 0.000dB [F2]  
Tr2 S21 Log Mag 10.00dB/ Ref 0.000dB [F2]



1 Center 200 MHz

IFBW 10 kHz

Span 200 MHz Cor !