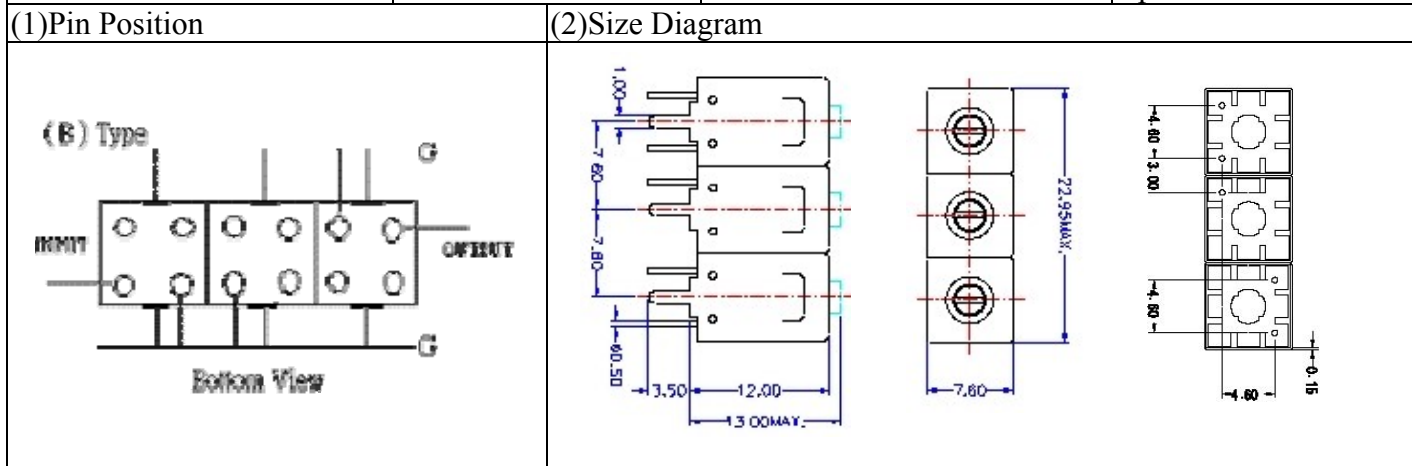


VHF UHF Helical Filter Specification Sheet

Customer Name		Temwell's Part No.	TT63499B-160M
Approval No. /dated		Temwell's Print name.	63499B 160M
Work Instruction No.	201404040CD	Date	Apr.30.2014



(3) Electric Characteristic

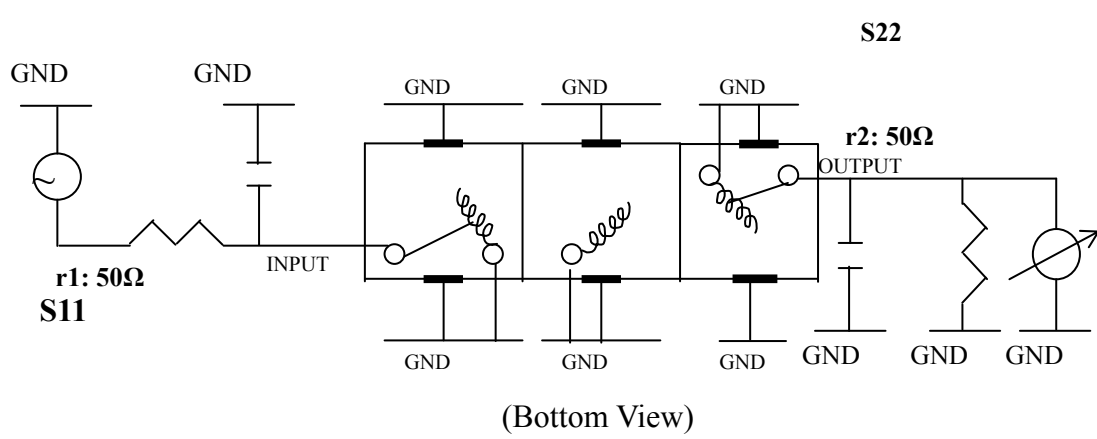
Item	Specify	Performance	
Center Freq.(Fo) +/- 0.5 %	160 MHz	160 MHz	
Insertion Loss	Max. 2.5 dB	0.71 dB	
-3 dB Bandwidth	Typ. 31 MHz	33.1 MHz	
Sensitivity (Attenuation)	Fo - (50) MHz	Typ. 35 dBc	37 dBc
	Fo + (50) MHz	Typ. 25 dBc	28 dBc
	Fo - () MHz	Typ. dBc	dBc
	Fo + () MHz	Typ. dBc	dBc
Return Loss	Min. 12 dB	34.2 dB	
Ripple	< 1 dB	dB	
Impedance	In / Out : 50 Ω	In / Out : 50 Ω	
(4) Torque for Tuning Screw	> 60gf • cm		

(5) Temperature Condition:

Operating Temperature	0°C ~ +60°C
Storage Temperature	-20°C ~ +70°C

(6) Input Power

(7) Measuring Circuit: ※Easy to match Impedance S11/S22 50Ω by parallel with about (--) / (--).



Approval C.Y.Chang	Supervisor C.K.Chang	Designer F.L.Lai	Aperture size 7H3S(4*6.5)(6.54) 7H024RB6.5
-----------------------	-------------------------	---------------------	--

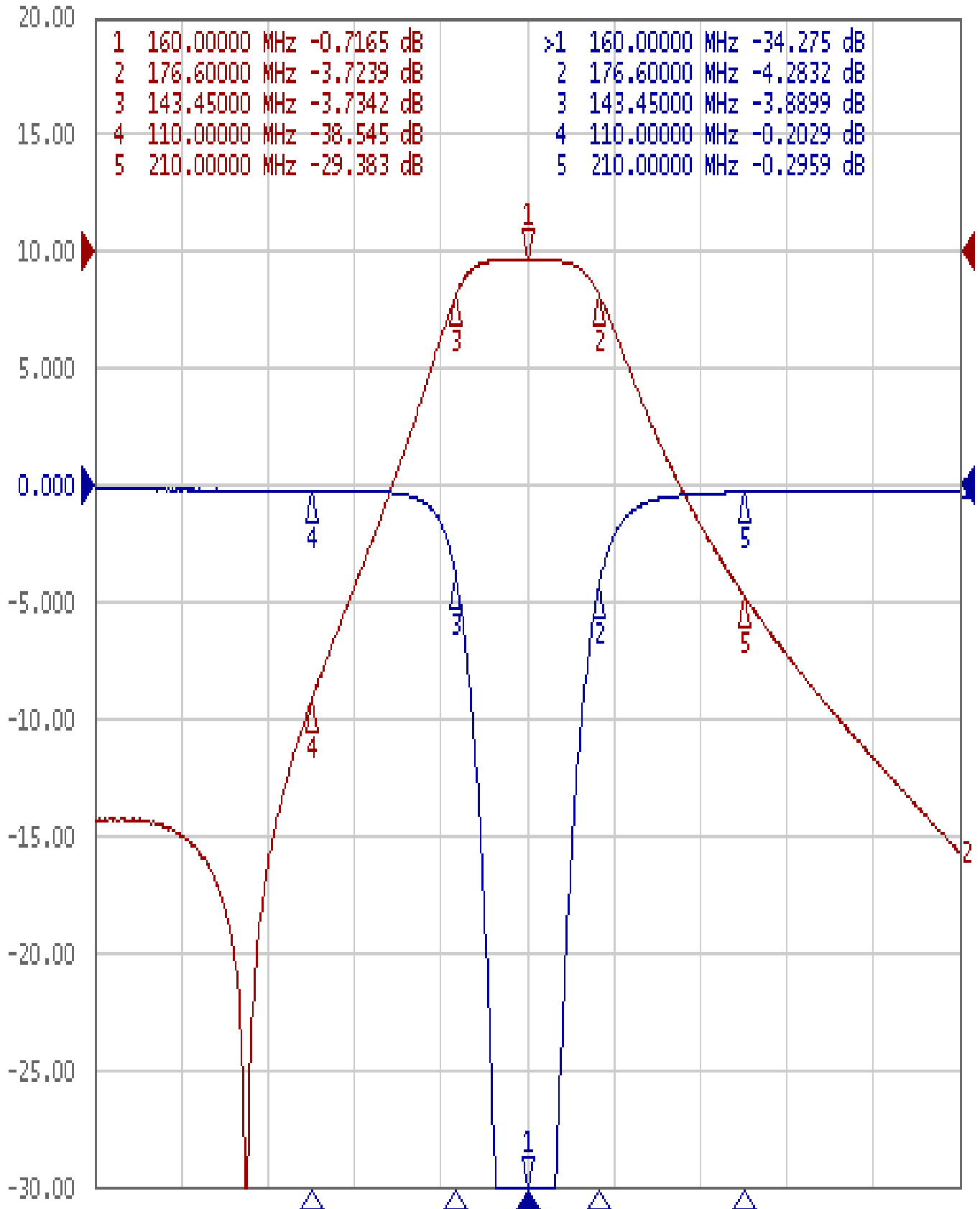
TEMWELL CORPORATION

Performance-TT63499B-160M

201404040C

Tr1 S11 Log Mag 5.000dB/ Ref 0.000dB [F2]

Tr2 S21 Log Mag 10.00dB/ Ref 0.000dB [F2]



1 Center 160 MHz

IFBW 10 kHz

Span 200 MHz Cor !