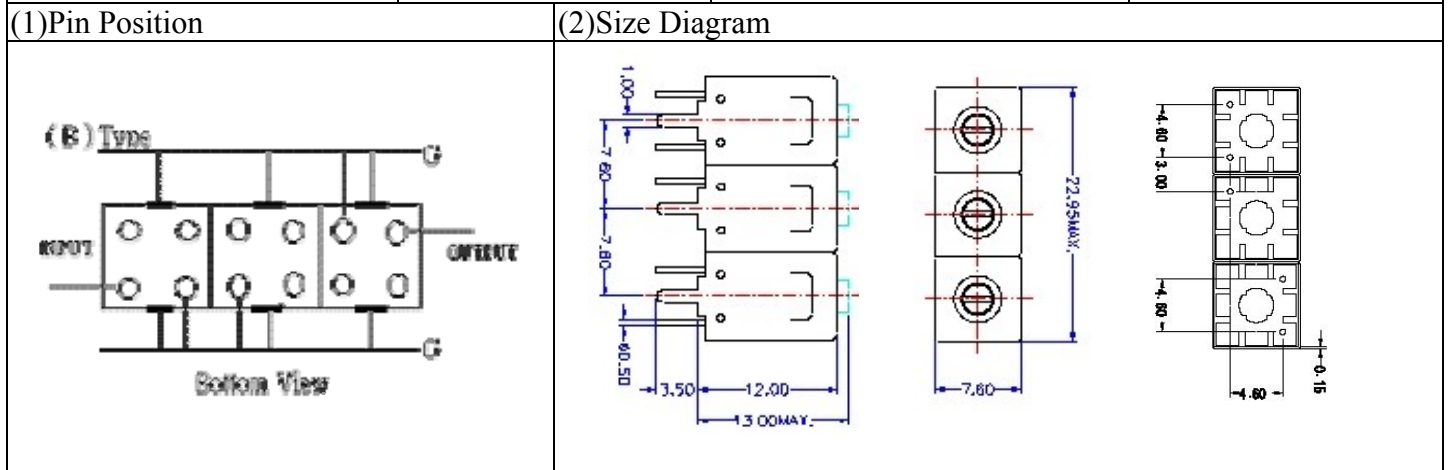


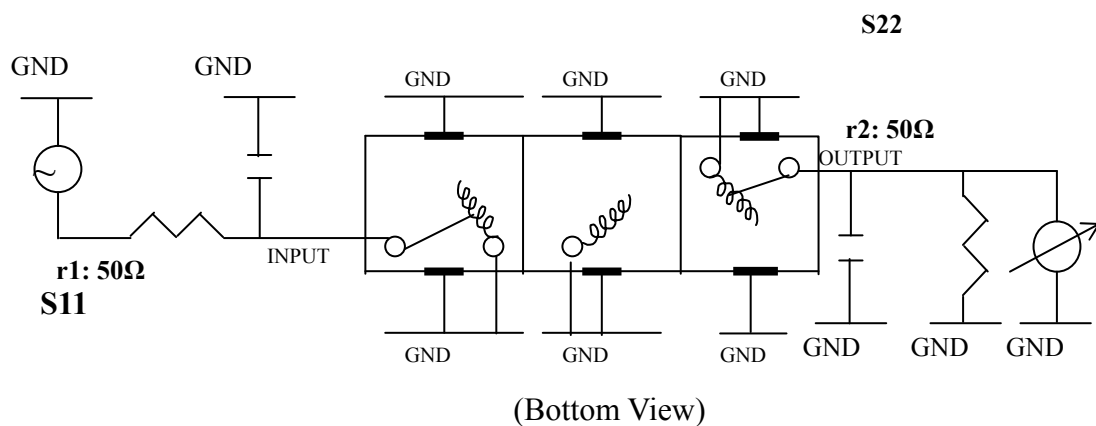
VHF UHF Helical Filter Specification Sheet

Customer Name		Temwell's Part No.	TT63494B-827.5M
Approval No. /dated		Temwell's Print name.	63494B 827.5M
Work Instruction No.	201310084CD	Date	Oct.05.2013



(3) Electric Characteristic			
Item	Specify	Performance	
Center Freq.(Fo) +/- 0.5 %	827.5 MHz	827.5 MHz	
Insertion Loss	Typ. 6.5 dB	5.54 dB	
-3 dB Bandwidth	Typ. 6 MHz	10.5 MHz	
Sensitivity (Attenuation)	Fo - (15) MHz	Typ. 24 dB	27 dB
	Fo + (15) MHz	Typ. 20 dB	23 dB
	Fo - () MHz	Typ. dB	dB
	Fo + () MHz	Typ. dB	dB
Return Loss	Min. 12 dB	43.7 dB	
Ripple	< 1 dB	dB	
Impedance	In / Out : 50 Ω	In / Out : 50 Ω	
(4) Torque for Tuning Screw	> 60gf · cm		
(5) Temperature Condition:			
Operating Temperature	0°C ~ +60°C		
Storage Temperature	-20°C ~ +70°C		
(6) Input Power	> 1Watt		

(7) Measuring Circuit: ※Easy to match Impedance S11/S22 50Ω by parallel with about(-) .



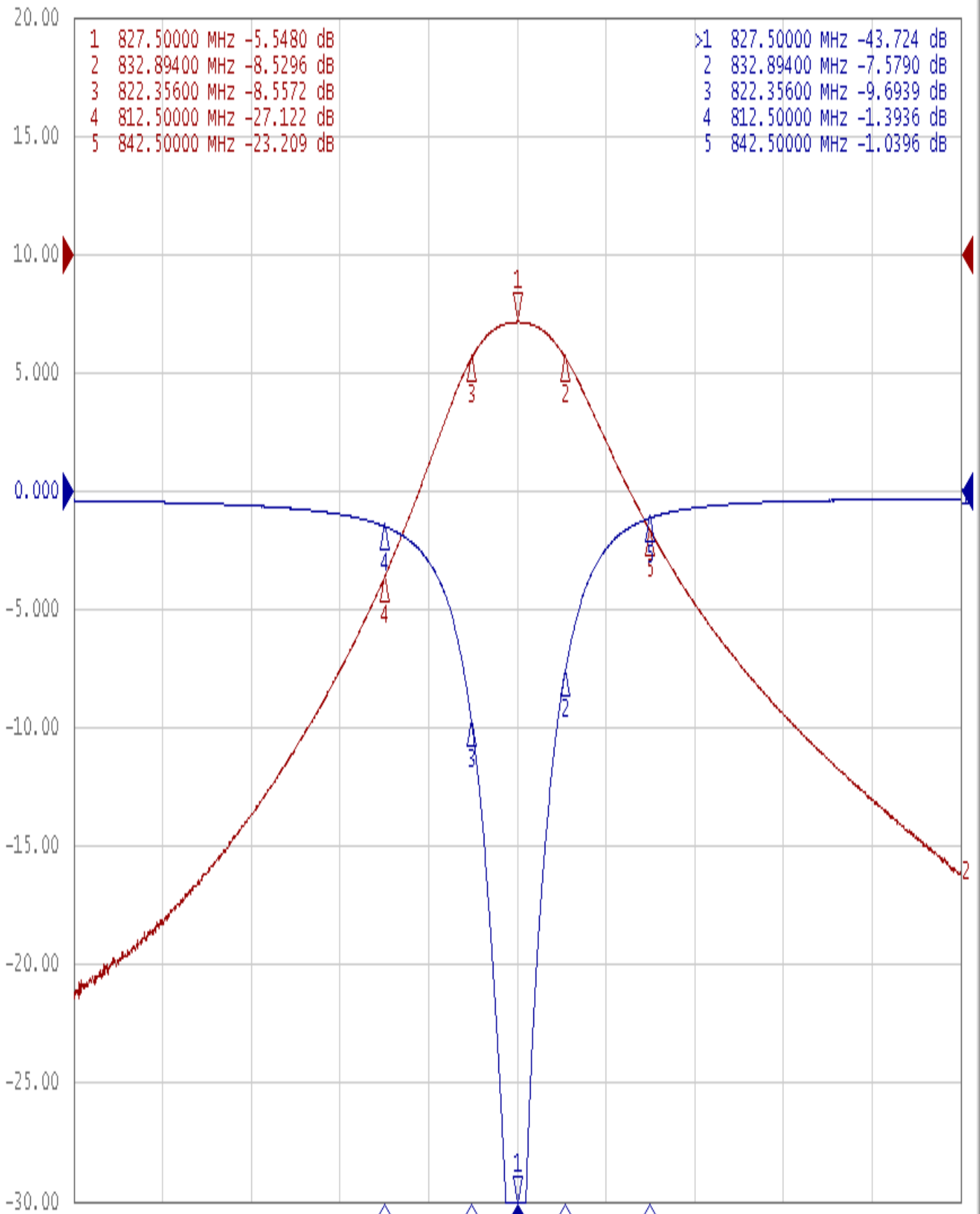
Approval	Supervisor	Designer	Aperture size
C.Y.Chang	C.K.Chang	C.S.Chang	7H3S(4*4.65)(4.72) 7H046RB4

TEMWELL CORPORATION

Performance-TT63494B-827.5M

201310084CD

Tr1 S11 Log Mag 5.000dB/ Ref 0.000dB [F2]
Tr2 S21 Log Mag 10.00dB/ Ref 0.000dB [F2]



1 Center 827.5 MHz

IFBW 10 kHz

Span 100 MHz Cor !