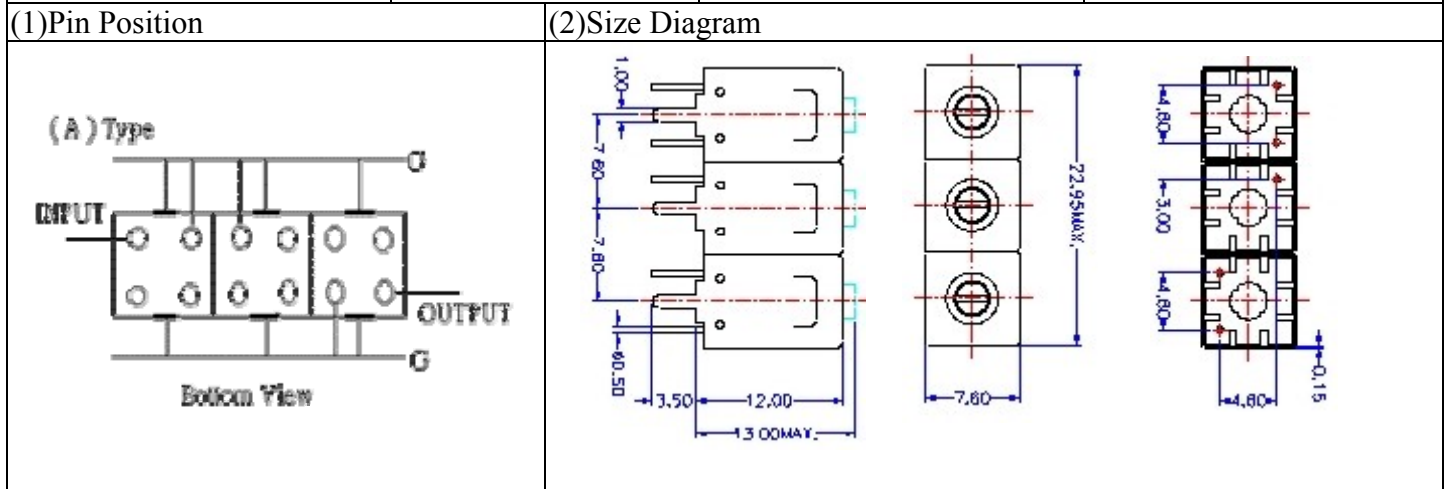
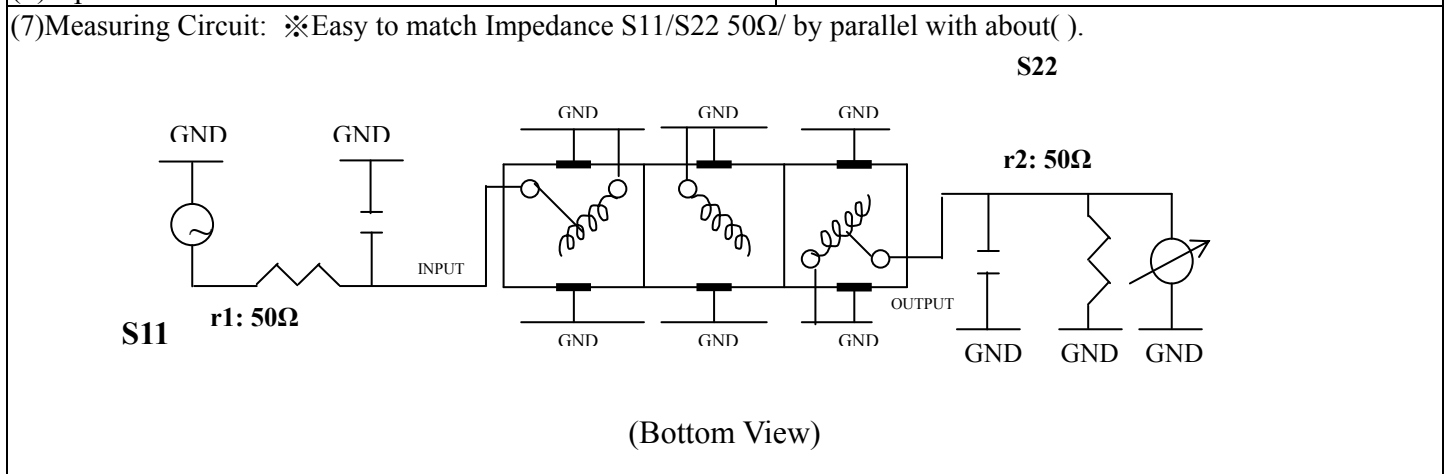


VHF UHF Helical Filter Specification Sheet

Customer Name		Temwell's Part No.	TT63432A-1000M
Approval No. /dated	201106093CD	Temwell's print name	63432A 1000M
Work Instruction No.	201106093CD	Date	Jun 21 2011



(3) Electric Characteristic		Specify	Performance
Item			
Center Freq.(Fo) +/- 0.5 %		1000 MHz	1000 MHz
Insertion Loss		Typ. 2.5 dB	1.43 dB
-3 dB Bandwidth		Typ. 50 MHz	59.0 MHz
Sensitivity (Attenuation)	Fo - 100 MHz	Typ. 35 dBc	38 dBc
	Fo + 100 MHz	Typ. 22 dBc	25 dBc
	Fo - ()MHz	Typ. dBc	dBc
	Fo +()MHz	Typ. dBc	dBc
Return Loss		Min. 12 dB	25.4 dB
Ripple		< 1 dB	dB
Impedance		In / Out : 50 Ω	In / Out : 50 Ω
(4) Torque for Tuning Screw		> 60gf · cm	
(5) Temperature Condition:			
Operating Temperature		0°C ~ +60°C	
Storage Temperature		-20°C ~ +70°C	
(6) Input Power		> 1Watt	



Approval	Supervisor	Designer	Aperture size
C.Y.Chang	C.S.Chang	P.H.Chiang	7H3S(4*5.5)(5.57) 7H046LB5

TEMWELL CORPORATION

Performance-TT63432A-1000M

201106093CD

