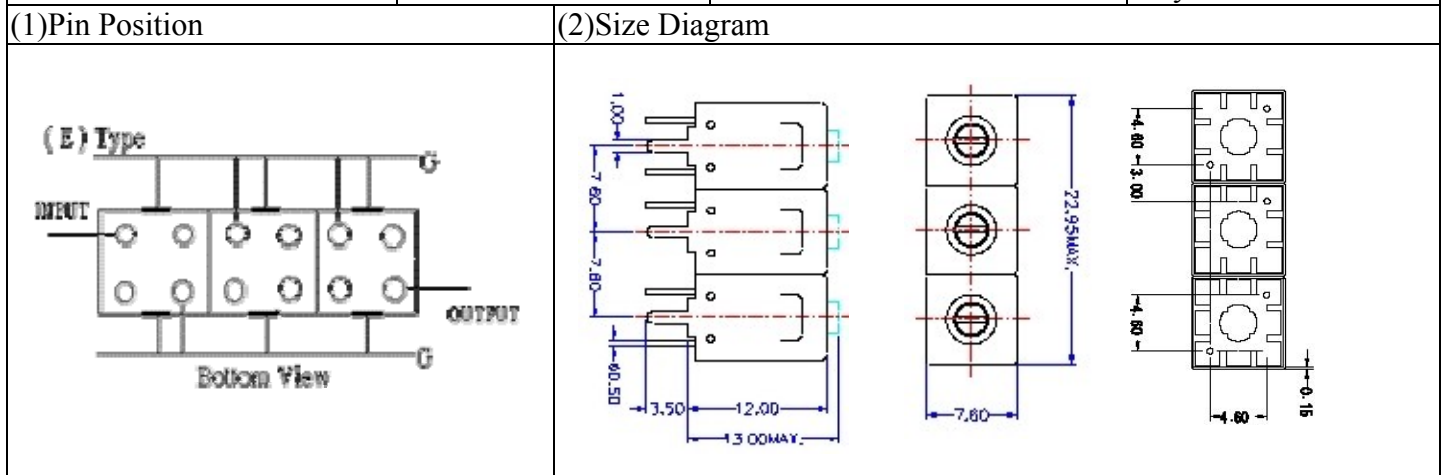


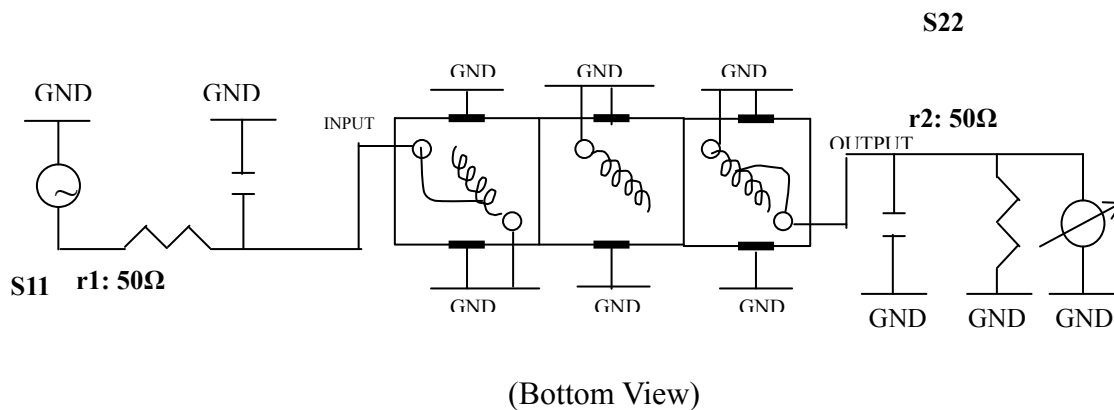
VHF UHF Helical Filter Specification Sheet

Customer Name		Temwell's Part No.	TT63420E-710M
Approval No. /dated	201105068CD	Temwell's Print name.	63420E 710M
Work Instruction No.	201105068CD	Date	May.26.2011



(3) Electric Characteristic			
Item		Specify	Performance
Center Freq.(Fo) +/- 0.5 %		710 MHz	710 MHz
Insertion Loss		Typ. 3.5 dB	2.44 dB
-3 dB Bandwidth		Typ. 12 MHz	17.9 MHz
Sensitivity (Attenuation)	Fo -(50) MHz	Typ. 30 dBc	33 dBc
	Fo +(50) MHz	Typ. 28 dBc	31 dBc
	Fo -()MHz	Typ. dBc	dBc
	Fo +()MHz	Typ. dBc	dBc
Return Loss		Min. 12 dB	22.9 dB
Ripple		< 1 dB	dB
Impedance		In / Out : 50 Ω	In / Out : 50 Ω
(4) Torque for Tuning Screw		> 60gf · cm	
(5) Temperature Condition:			
Operating Temperature		0°C ~ +60°C	
Storage Temperature		-20°C ~ +70°C	
(6) Input Power		> 1Watt	

(7) Measuring Circuit: ※Easy to match Impedance S11/S22 50Ω by parallel with about ().



Approval	Supervisor	Designer	Aperture size
C.Y.Chang	C.K.Chang	P.H.Chiang	7H3S(4*4.65)(4.68) 7H046LB4.3 聚 3

TEMWELL CORPORATION

Performance-TT63420E-710M

201105068CD

