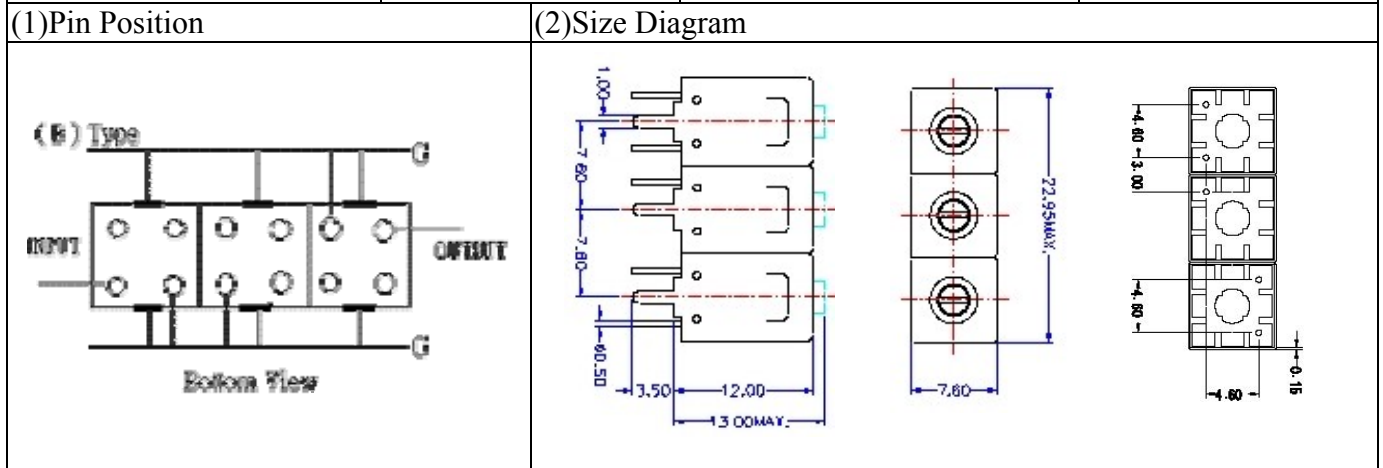


VHF UHF Helical Filter Specification Sheet

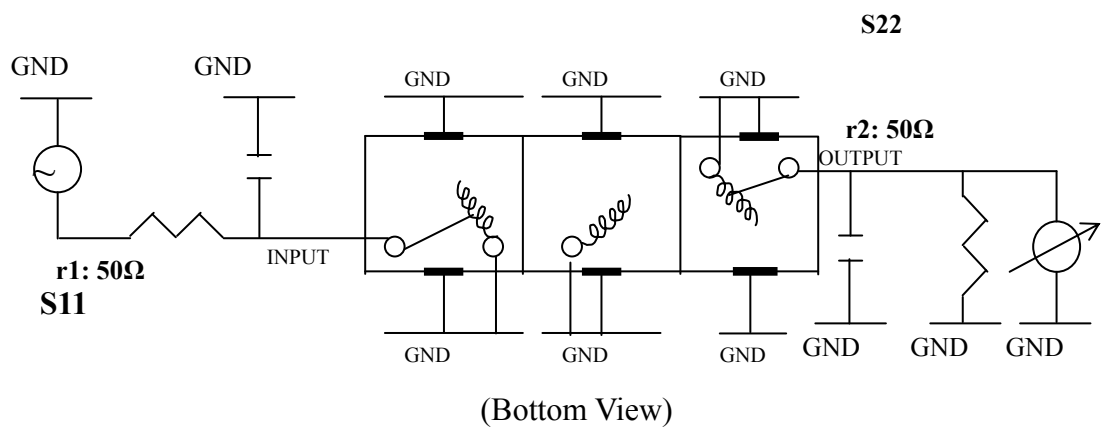
Customer Name		Temwell's Part No.	TT63389B-74.5M
Approval No. /dated	201007097CD	Temwell's Print Name.	63389B 74.5M
Work Instruction No.	201007097CD	Date	Jul.22.2010



(3) Electric Characteristic

Item	Specify	Performance
Center Freq.(Fo) +/- 1 %	74.5 MHz	74.5 MHz
Insertion Loss	Typ. 2.5 dB	1.32 dB
-3 dB Bandwidth	Typ. 20 MHz	21.7 MHz
Sensitivity (Attenuation)	Fo - 50 MHz	Typ. 39 dBc
	Fo + 50 MHz	Typ. 52 dBc
	Fo - ()MHz	Typ. dBc
	Fo + ()MHz	Typ. dBc
Return Loss	Min. 12 dB	37.6 dB
Ripple	< 1 dB	dB
Impedance	In / Out : 50 Ω	In / Out : 50 Ω
(4) Torque for Tuning Screw	> 60gf · cm	
(5) Temperature Condition:		
Operating Temperature	0°C ~ +60°C	
Storage Temperature	-20°C ~ +70°C	
(6) Input Power	> 1 Watt	

(7) Measuring Circuit: ※ Easy to match Impedance S11/S22 50Ω by parallel with about(--) / (--)



Approval	Supervisor	Designer	Aperture size
C.Y.Chang	C.K.Chang	C.S.Chang	7H3S(4*7.5)(7.56) (7H00LB6.5)

TEMWELL CORPORATION

Performance-TT63389B-74.5M

201007097CD

