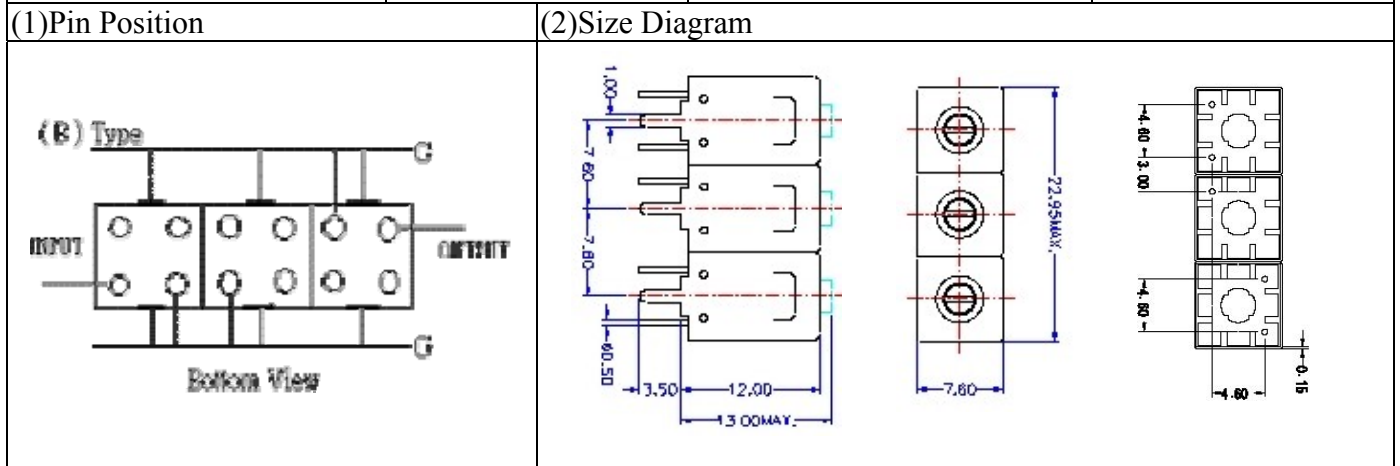
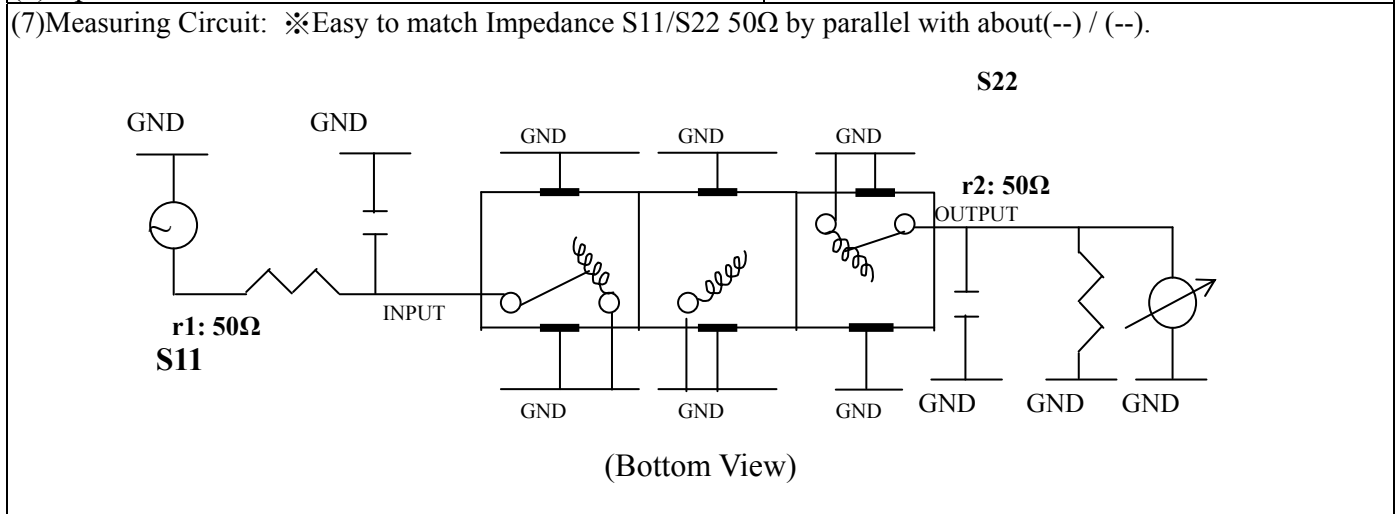


VHF UHF Helical Filter Specification Sheet

Customer Name		Temwell's Part No.	TT63388B-340M
Approval No. /dated	201007060CD	Temwell's Print Name.	63388B 340M
Work Instruction No.	201007060CD	Date	Jul.15.2010



(3) Electric Characteristic			
Item		Specify	Performance
Center Freq.(Fo) +/- 0.5 %		340 MHz	340 MHz
Insertion Loss		Typ. 2.0 dB	0.63 dB
-3 dB Bandwidth		Typ. 70 MHz	73.8 MHz
Sensitivity (Attenuation)	Fo - 100 MHz	Typ. 30 dBc	36 dBc
	Fo + 100 MHz	Typ. 25 dBc	31 dBc
	Fo - ()MHz	Typ. dBc	dBc
	Fo +()MHz	Typ. dBc	dBc
Return Loss		Min. 12 dB	25.1 dB
Ripple		< 1 dB	dB
Impedance		In / Out : 50 Ω	In / Out : 50 Ω
(4) Torque for Tuning Screw		> 60gf · cm	
(5) Temperature Condition:			
Operating Temperature		0°C ~ +60°C	
Storage Temperature		-20°C ~ +70°C	
(6) Input Power		> 1Watt	



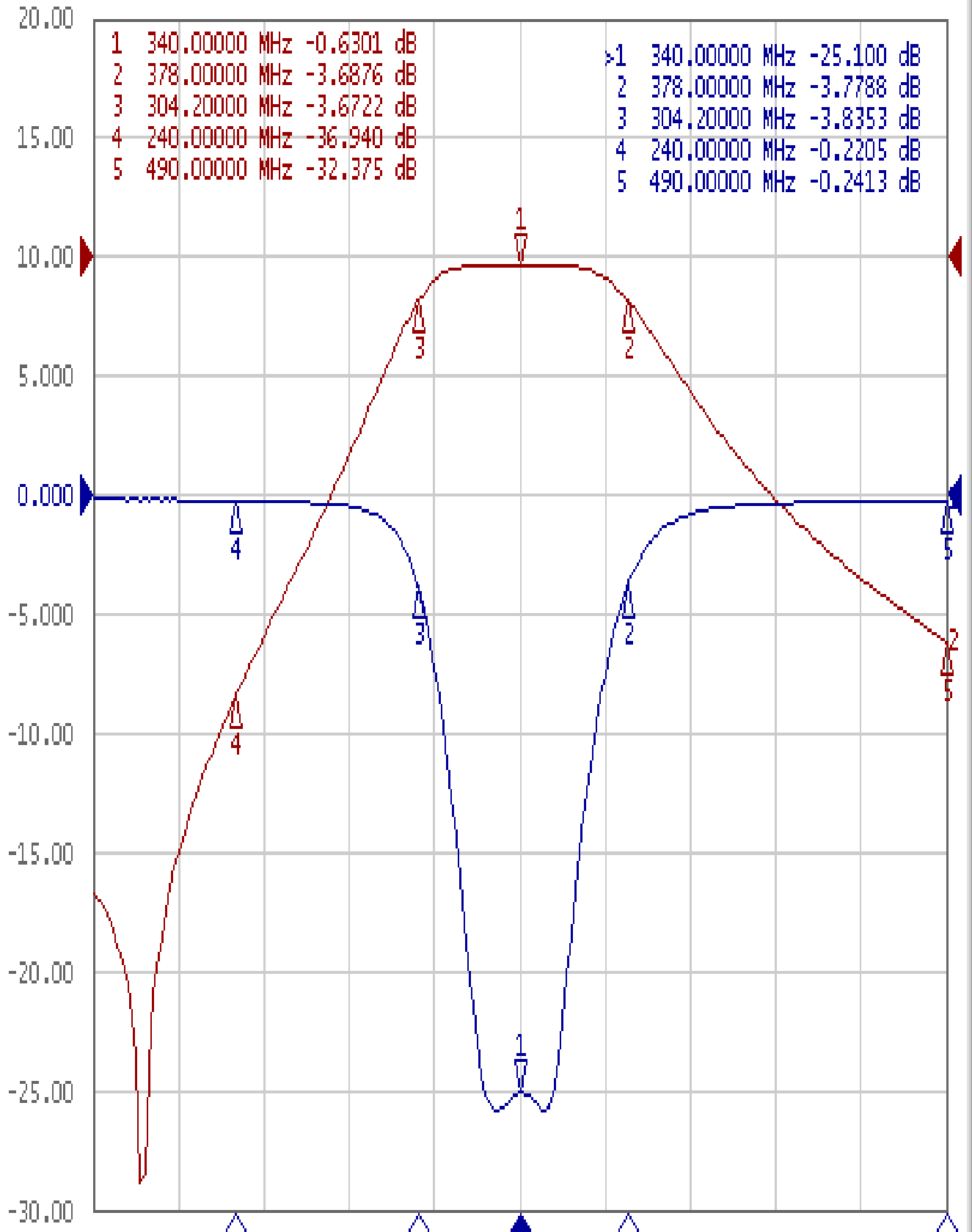
Approval C.Y.Chang	Supervisor C.K.Chang	Designer P.H.Chiang	Aperture size 7H3S(4*6.5)(6.57) (7H046RB6.5)
TEMWELL CORPORATION			

Performance-TT63388B-340M

201007060CD

Tr1 S11 Log Mag 5.000dB/ Ref 0.000dB [F2]

Tr2 S21 Log Mag 10.00dB/ Ref 0.000dB [F2]



1 Center 340 MHz

IFBW 70 kHz

Span 300 MHz Cor |