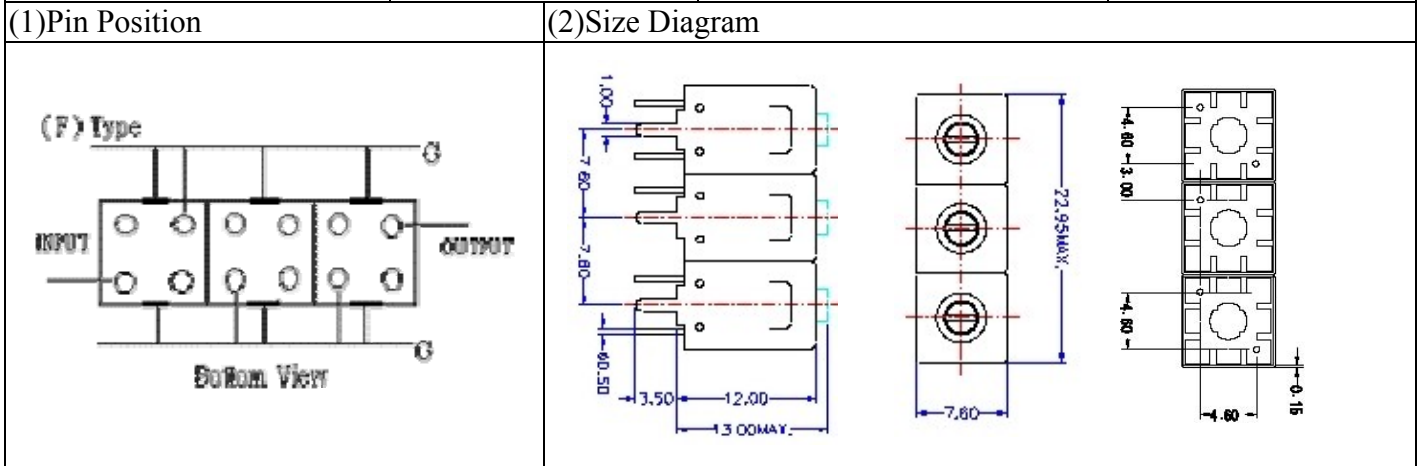


VHF UHF Helical Filter Specification Sheet

Customer Name		Temwell's Part No.	TT63387F-900M
Approval No. /dated	201006080CD	Temwell's print name	63387F 900M
Work Instruction No.	201006080CD	Date	Jun.29.2010

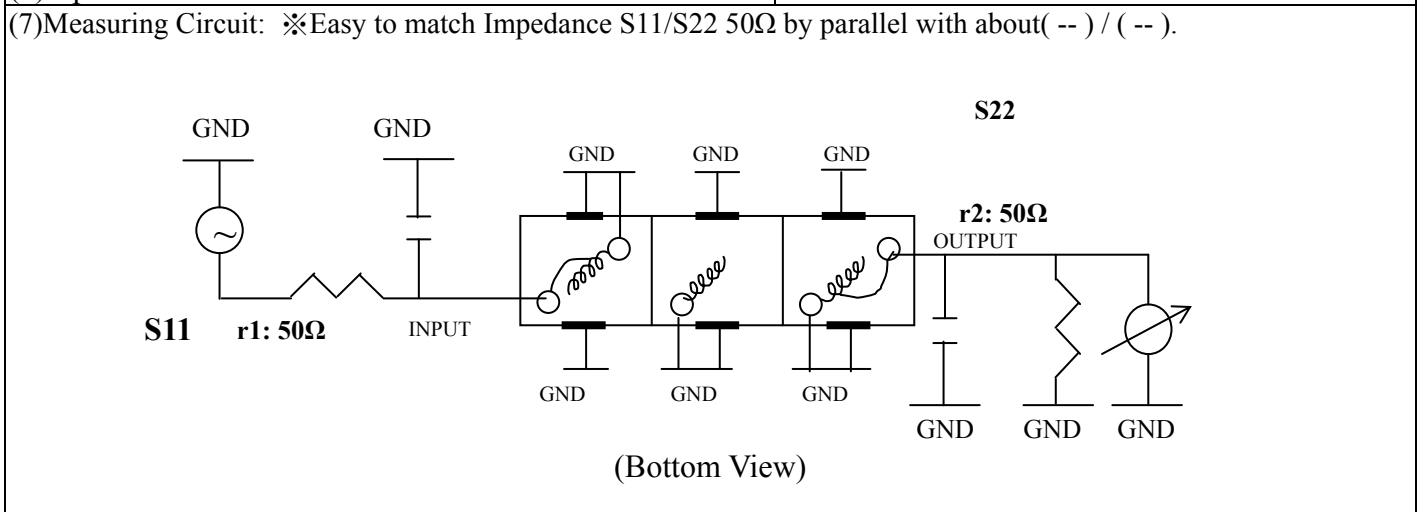


(3) Electric Characteristic

Item	Specify	Performance	
Center Freq.(Fo) +/- 0.5 %	900 MHz	900 MHz	
Insertion Loss	Typ. 2.0 dB	0.74 dB	
-3 dB Bandwidth	Typ. 130 MHz	140.2 MHz	
Sensitivity (Attenuation)	Fo - 200 MHz	Typ. 31 dBc	34 dBc
	Fo + 200 MHz	Typ. 27 dBc	30 dBc
	Fo - ()MHz	Typ. dBc	dBc
	Fo + ()MHz	Typ. dBc	dBc
Return Loss	Min. 12 dB	50.6 dB	
Ripple	< 1 dB	dB	
Impedance	In / Out : 50 Ω	In / Out : 50 Ω	
(4) Torque for Tuning Screw	> 60gf • cm		

(5) Temperature Condition:

Operating Temperature	0°C ~ +60°C
Storage Temperature	-20°C ~ +70°C
(6) Input Power	> 1 Watt



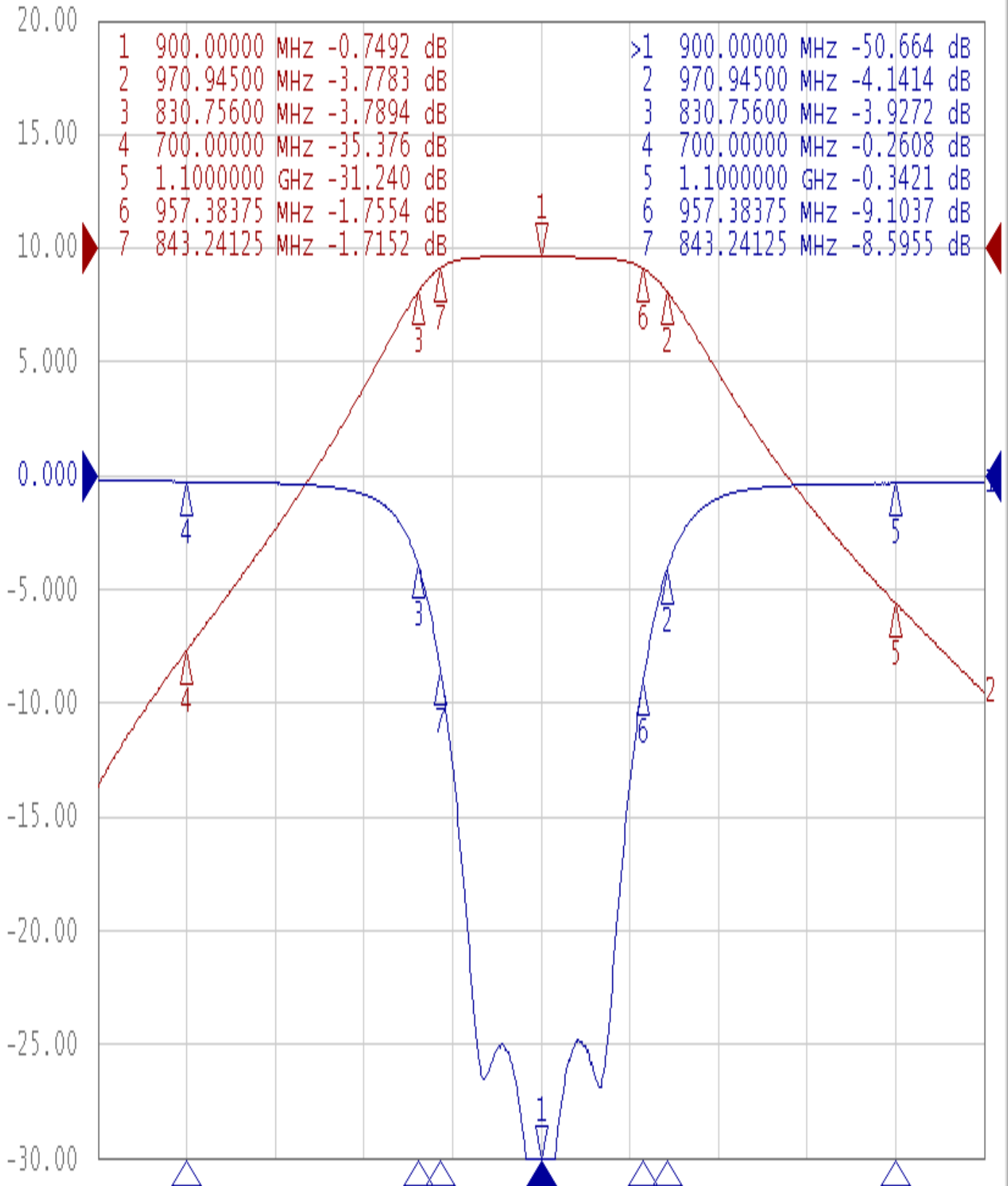
Approval C.Y.Chang	Supervisor C.K.Chang	Designer C.S..Chang	Aperture size 7H3S(4*8.0)(8.02) 7H046RB6.5
-----------------------	-------------------------	------------------------	--

TEMWELL CORPORATION

Performance-TT63387F-900M

201006080CD

▶ Tr1 S11 Log Mag 5.000dB/ Ref 0.000dB [F2]
Tr2 S21 Log Mag 10.00dB/ Ref 0.000dB [F2]



1 Center 900 MHz

IFBW 10 kHz

Span 500 MHz Cor |