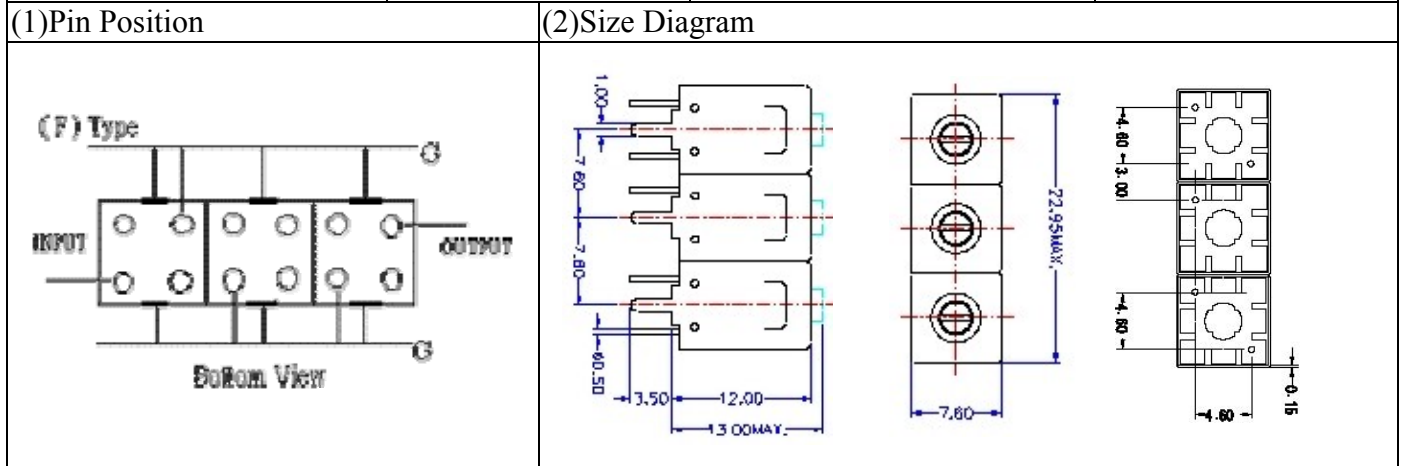


VHF UHF Helical Filter Specification Sheet

Customer Name		Temwell's Part No.	TT63386F-850M
Approval No. /dated	201006058CD	Temwell's print name	63386F 850M
Work Instruction No.	201006058CD	Date	Jun.26.2010



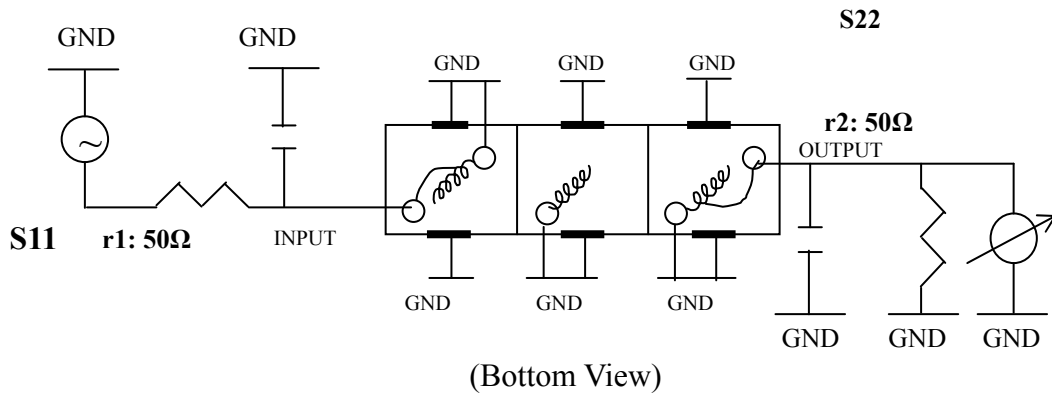
(3) Electric Characteristic		Specify	Performance
Item			
Center Freq.(Fo) +/- 0.5 %		850 MHz	850 MHz
Insertion Loss		Typ. 1.5 dB	0.76 dB
-3 dB Bandwidth		Typ. 120 MHz	132.1 MHz
Sensitivity (Attenuation)	Fo - 200 MHz	Typ. 33 dBc	36 dBc
	Fo + 200 MHz	Typ. 30 dBc	33 dBc
	Fo - ()MHz	Typ. dBc	dBc
	Fo +()MHz	Typ. dBc	dBc
Return Loss		Min. 12 dB	20.2 dB
Ripple		< 1 dB	dB
Impedance		In / Out : 50 Ω	In / Out : 50 Ω

(4) Torque for Tuning Screw > 60gf · cm

(5) Temperature Condition:	
Operating Temperature	0°C ~ +60°C
Storage Temperature	-20°C ~ +70°C

(6) Input Power > 1Watt

(7) Measuring Circuit: ※Easy to match Impedance S11/S22 50Ω by parallel with about(--) / (--).



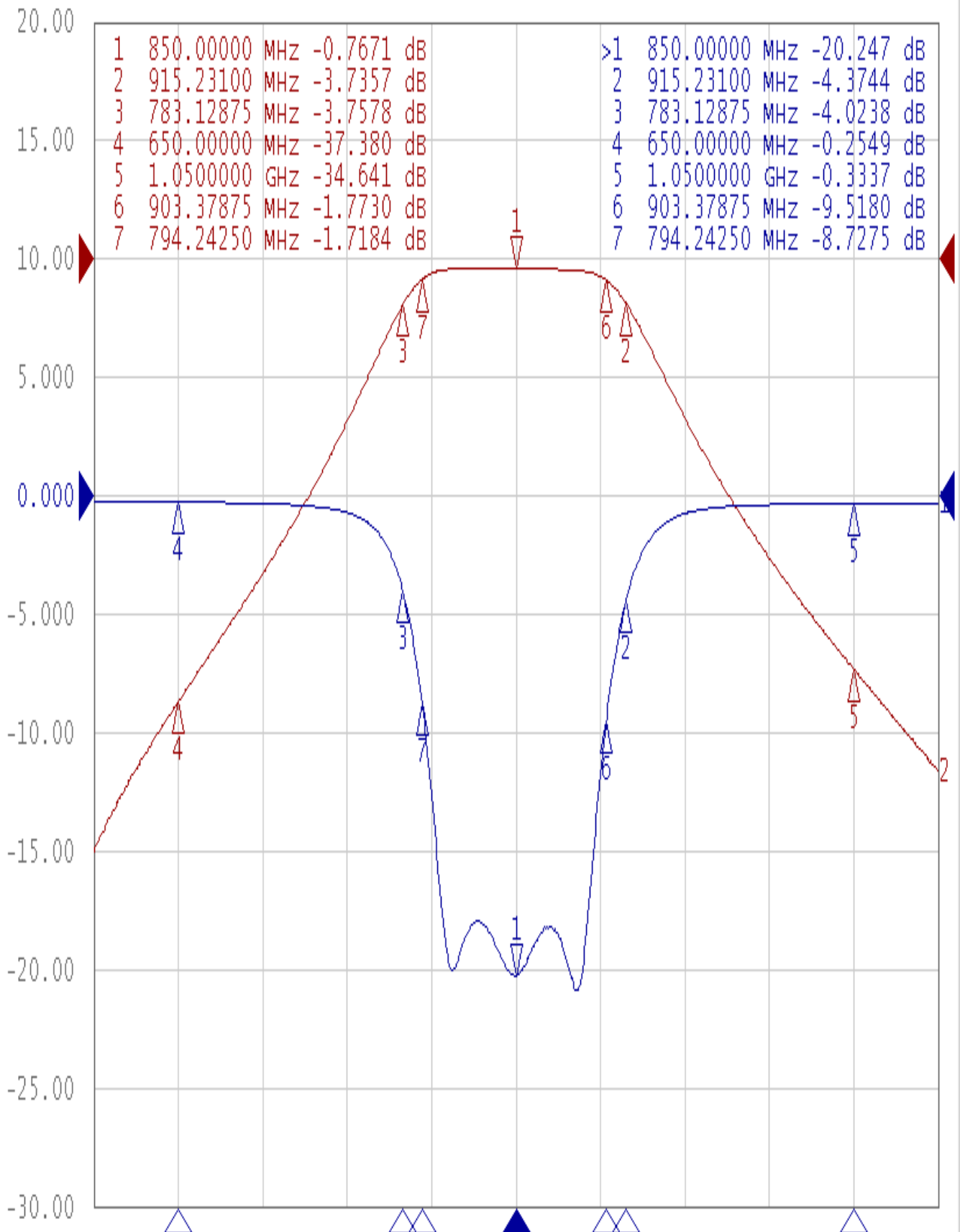
Approval C.Y.Chang	Supervisor C.K.Chang	Designer C.S..Chang	Aperture size 7H3S(4*7.5)(7.62) 7H046RB6.5
-----------------------	-------------------------	------------------------	--

TEMWELL CORPORATION

Performance-TT63386F-850M

201006058CD

▶ Tr1 S11 Log Mag 5.000dB/ Ref 0.000dB [F2]
Tr2 S21 Log Mag 10.00dB/ Ref 0.000dB [F2]



1 Center 850 MHz

IFBW 10 kHz

Span 500 MHz Cor !