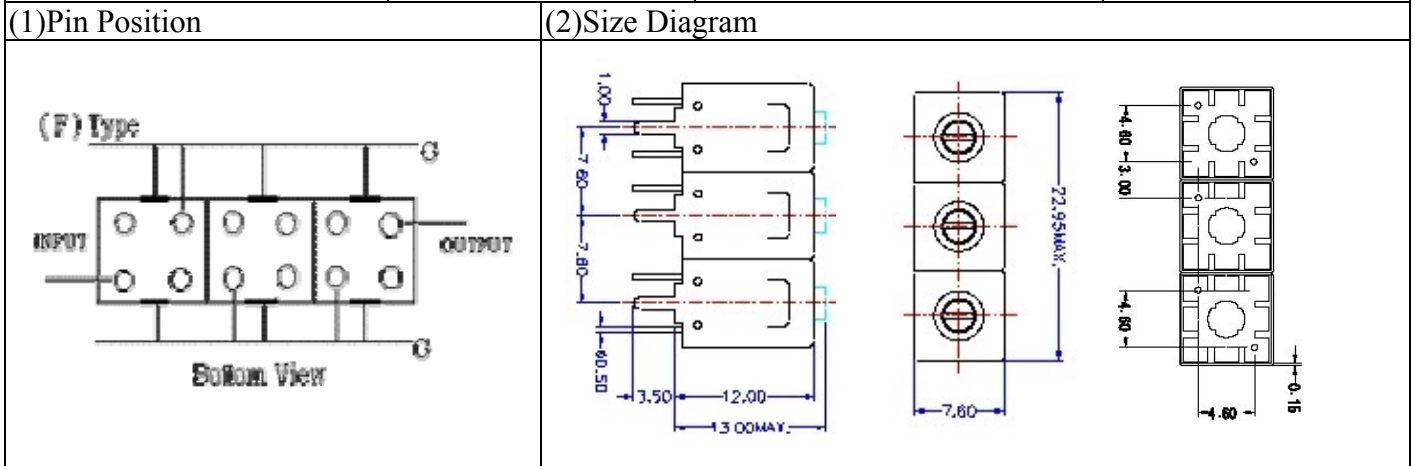


VHF UHF Helical Filter Specification Sheet

Customer Name		Temwell's Part No.	TT63385F-800M
Approval No. /dated	201006078CD	Temwell's print name	63385F 800M
Work Instruction No.	201006078CD	Date	Jun.25.2010



(3) Electric Characteristic

Item	Specify	Performance	
Center Freq.(Fo) +/- 0.5 %	800 MHz	800 MHz	
Insertion Loss	Typ. 2.0 dB	0.70 dB	
-3 dB Bandwidth	Typ. 130 MHz	147.2 MHz	
Sensitivity (Attenuation)	Fo - 200 MHz	Typ. 31 dBc	34 dBc
	Fo + 200 MHz	Typ. 23 dBc	26 dBc
	Fo - ()MHz	Typ. dBc	dBc
	Fo + ()MHz	Typ. dBc	dBc
Return Loss	Min. 12 dB	25.5 dB	
Ripple	< 1 dB	dB	
Impedance	In / Out : 50 Ω	In / Out : 50 Ω	
(4) Torque for Tuning Screw	> 60gf · cm		

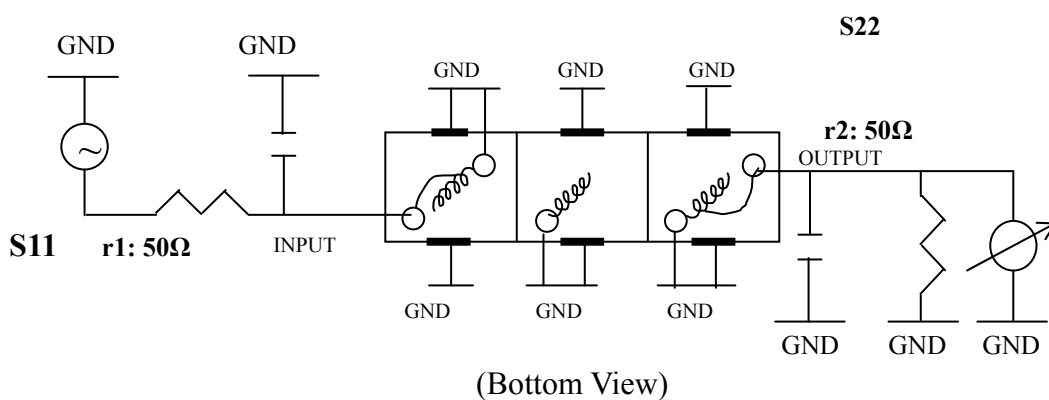
(5) Temperature Condition:

Operating Temperature	0°C ~ +60°C
Storage Temperature	-20°C ~ +70°C

(6) Input Power

> 1Watt

(7) Measuring Circuit: ※Easy to match Impedance S11/S22 50Ω by parallel with about(--) / (--).



Approval	Supervisor	Designer	Aperture size
C.Y.Chang	C.K.Chang	C.S..Chang	7H3S(4*7.5)(7.62) 7H046RB6.5

TEMWELL CORPORATION

Performance-TT63385F-800M

201006078CD

