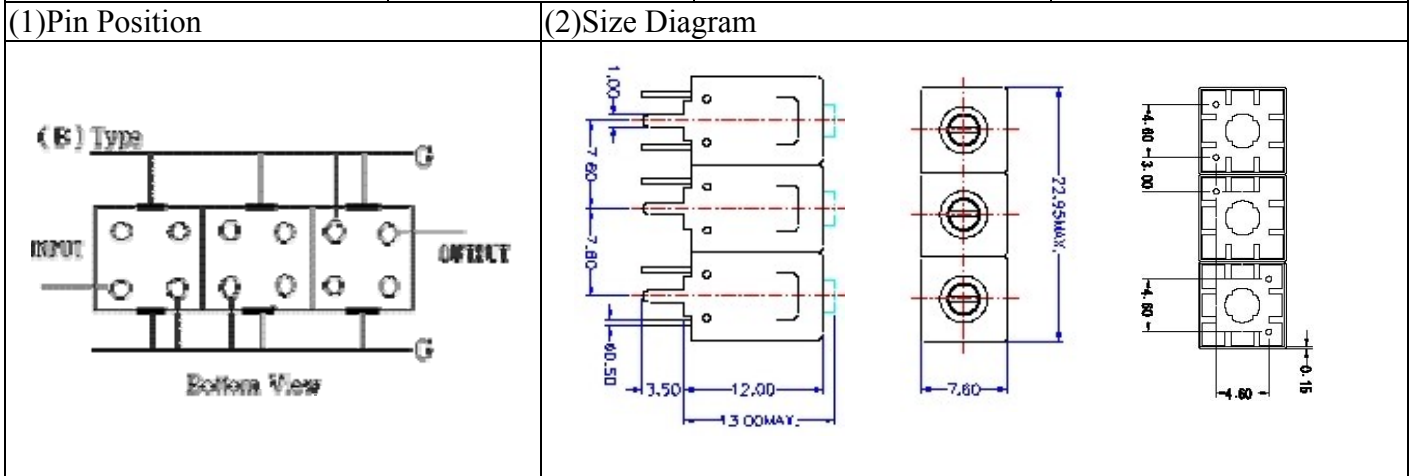


VHF UHF Helical Filter Specification Sheet

Customer Name		Temwell's Part No.	TT63377B-248M
Approval No. /dated	1003095APR	Temwell's Print Name.	63377B 248M
Work Instruction No.	201003095BD	Date	Mar.23.2010



(3) Electric Characteristic

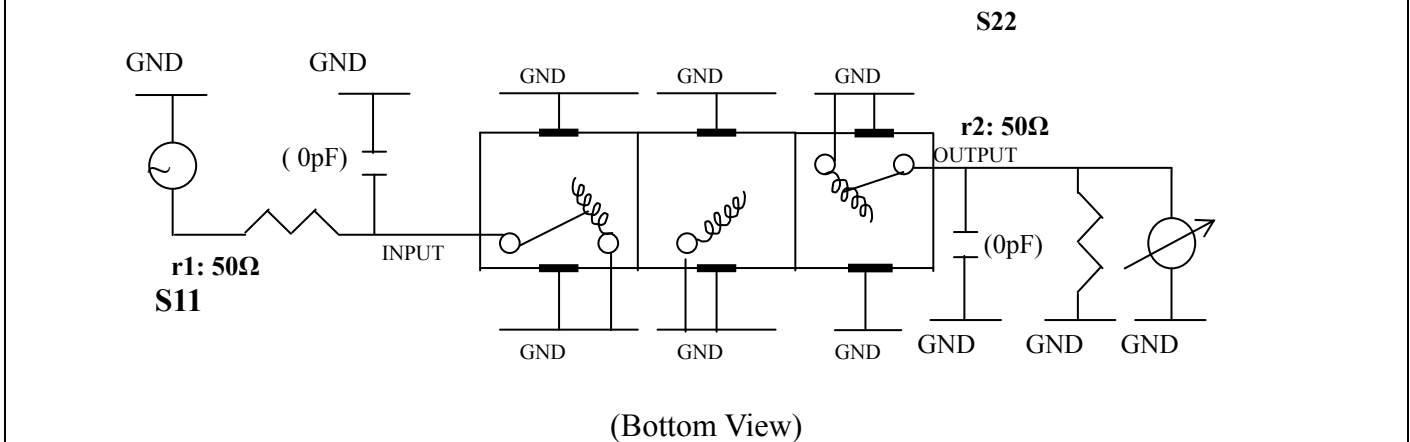
Item	Specify	Performance
Center Freq.(Fo) +/- 0.5 %	248 MHz	248 MHz
Insertion Loss	Typ. 1.5 dB	0.64 dB
-3 dB Bandwidth	Typ. 50 MHz	55.8 MHz
Sensitivity (Attenuation)	Fo - 50 MHz	Typ. 21 dBc
	Fo + 50 MHz	Typ. 12 dBc
	Fo - ()MHz	Typ. dBc
	Fo +()MHz	Typ. dBc
Return Loss	Min. 12 dB	27.5 dB
Ripple	< 1 dB	dB
Impedance	In / Out : 50 Ω	In / Out : 50 Ω
(4) Torque for Tuning Screw	> 100gf · cm	

(5) Temperature Condition:

Operating Temperature	0°C ~ +60°C
Storage Temperature	-20°C ~ +70°C

(6) Input Power

(7) Measuring Circuit: ※Easy to match Impedance S11/S22 50Ω by parallel with about(0pF) / (0pF).



Approval C.Y.Chang	Supervisor C.K.Chang	Designer C.S.Chang	Aperture size 7H3(4*7.5)(7.62) 7H046RB6.5
-----------------------	-------------------------	-----------------------	---

TEMWELL CORPORATION

Performance-TT63377B-248M

201003095BD

