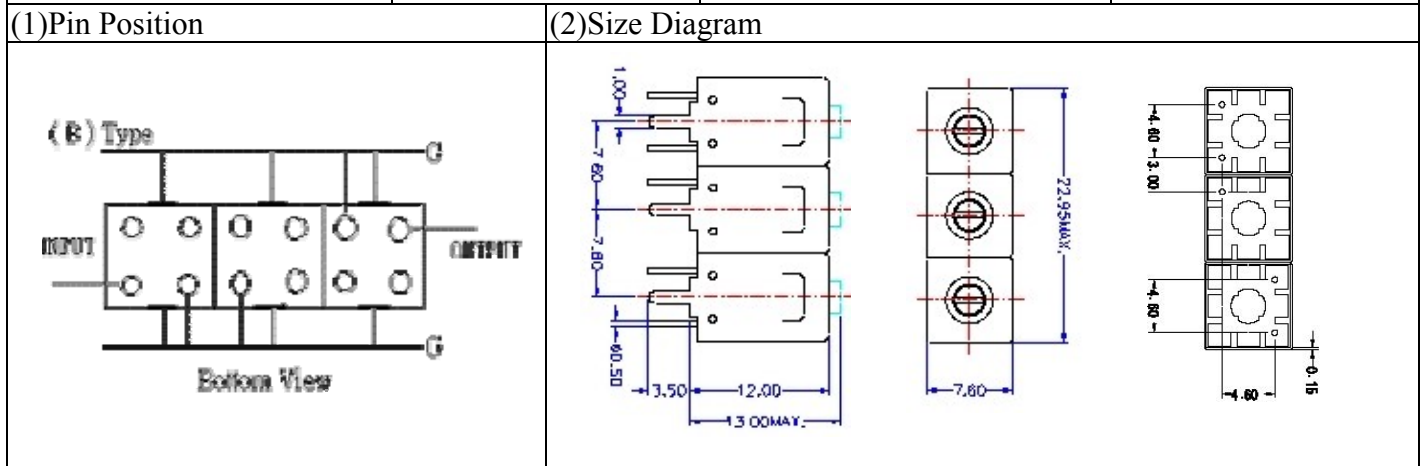
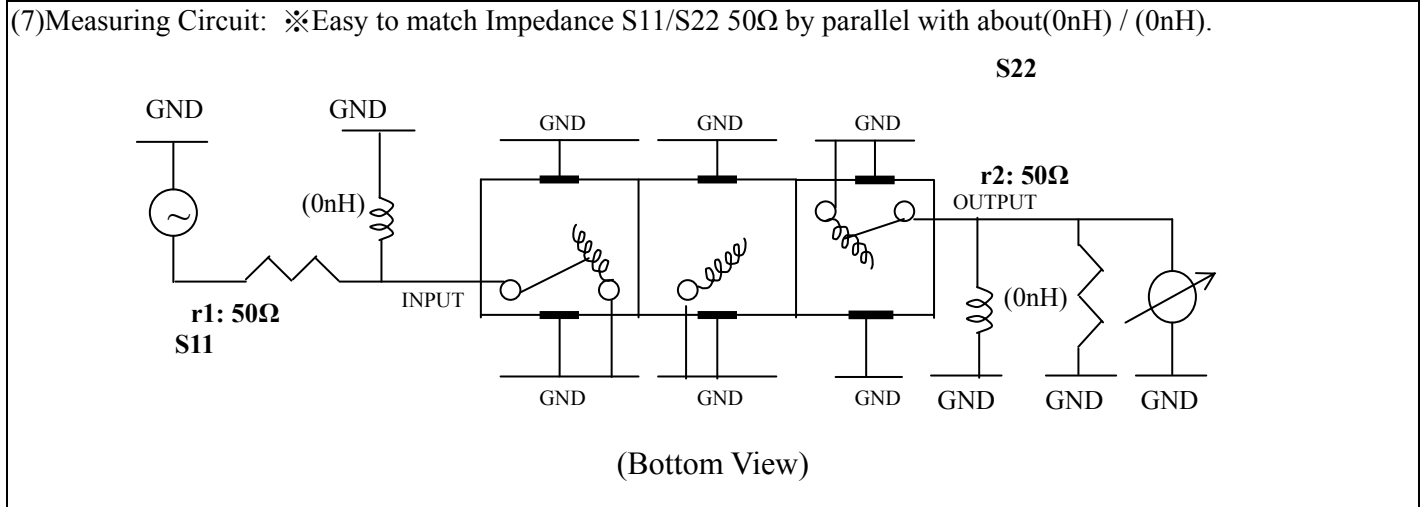


VHF UHF Helical Filter Specification Sheet

Customer Name		Temwell's Part No.	TT63368B-240M
Approval No. /dated		Temwell's Print name	63368B 240M
Work Instruction No.	201001066CD	Date	Jan.20.2010



(3) Electric Characteristic					
Item		Specify		Performance	
Center Freq.(Fo) +/- 0.5 %		240 MHz		240 MHz	
Insertion Loss		Max.	2.5 dB	0.7 dB	
-3 dB Bandwidth		Typ.	40 MHz	43.2 MHz	
Sensitivity (Attenuation)	Fo - 50 MHz	Typ.	25 dBc	28 dBc	
	Fo + 50 MHz	Typ.	18 dBc	20 dBc	
	Fo - ()MHz	Typ.	dBc	dBc	
	Fo + ()MHz	Typ.	dBc	dBc	
Return Loss		Min.	12 dB	22.0 dB	
Ripple		< 1 dB		dB	
Impedance		In / Out : 50 Ω		In / Out : 50 Ω	
(4) Torque for Tuning Screw		> 60gf • cm			
(5) Temperature Condition:					
Operating Temperature		0°C ~ +60°C			
Storage Temperature		-20°C ~ +70°C			
(6) Input Power		> 1 Watt			



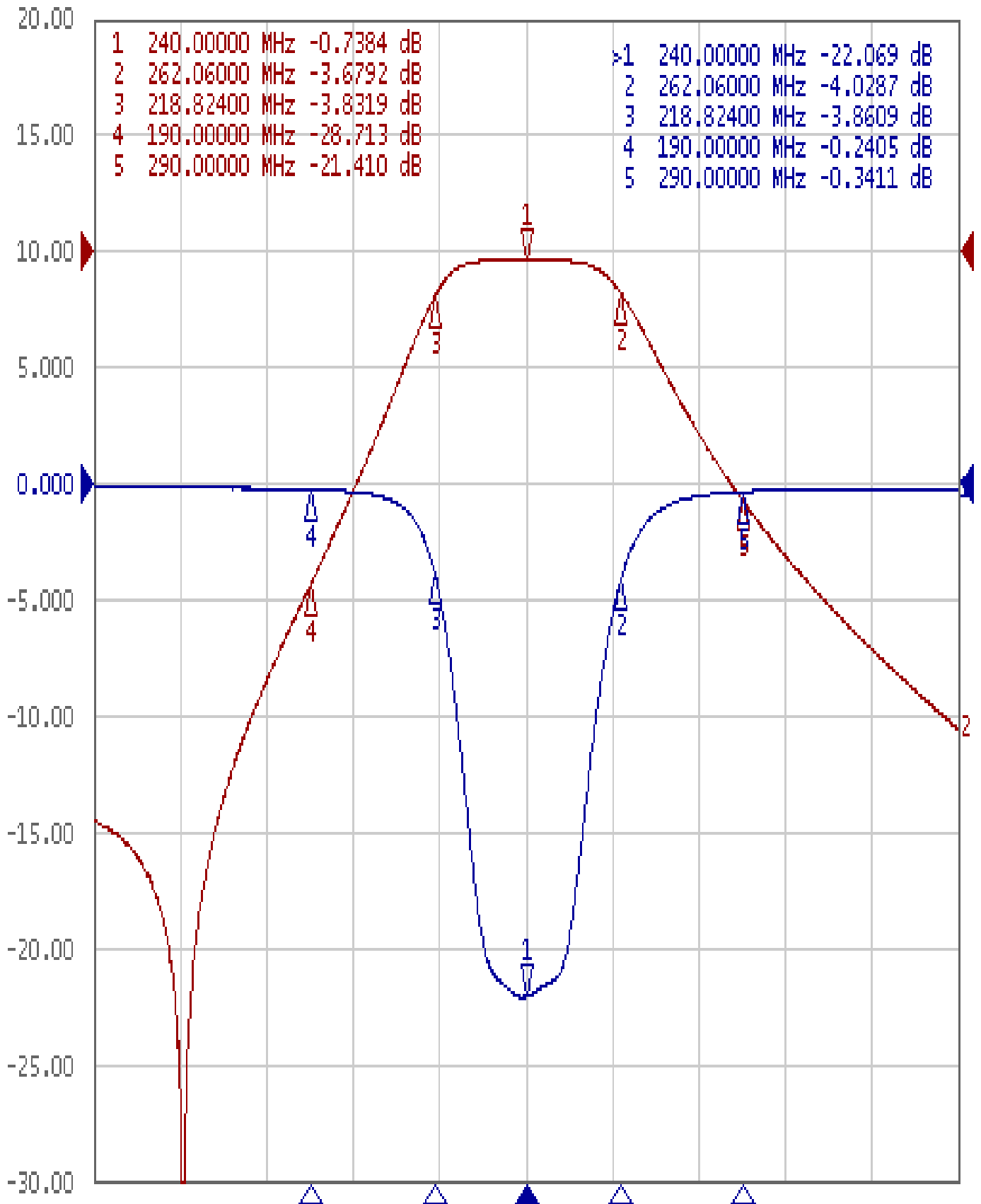
Approval	Supervisor	Designer	Aperture size
C.Y.Chang	C.K.Chang	P.H.Chiang	7H3(4*8.0)(8.01) 7H046LB5.5

TEMWELL CORPORATION

Performance-TT63368B-240M

201001066CD

Tr1 S11 Log Mag 5.000dB/ Ref 0.000dB [F2]
Tr2 S21 Log Mag 10.000dB/ Ref 0.000dB [F2]



1 Center 240 MHz

IFBW 10 kHz

Span 200 MHz Cor !