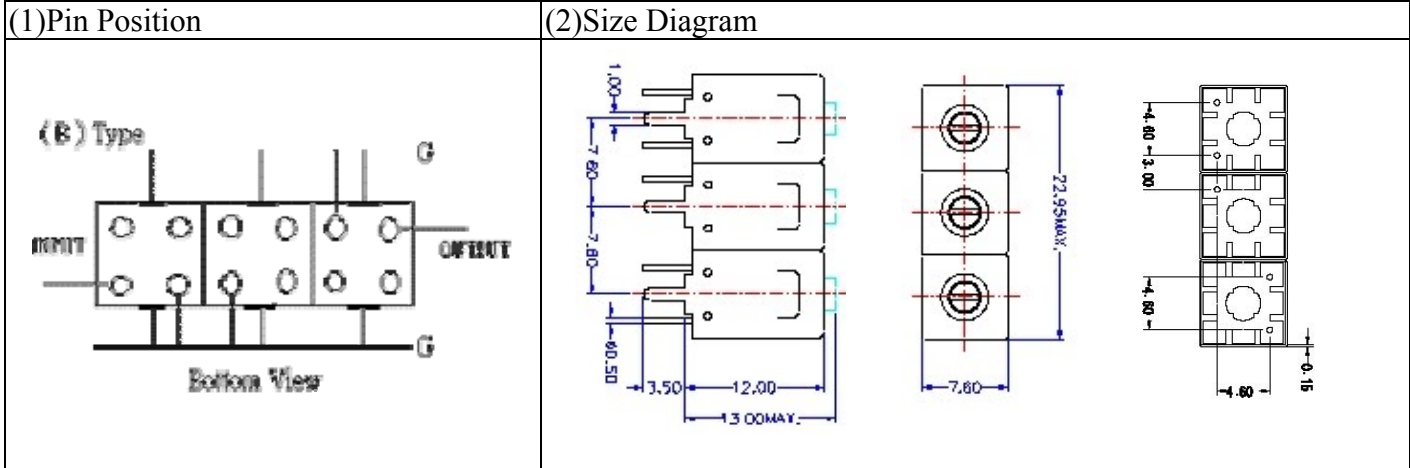


VHF UHF Helical Filter Specification Sheet

Customer Name		Temwell's Part No.	TT63366B-650M
Approval No. /dated	1001056CD	Temwell's Print Name.	63366B 650M
Work Instruction No.	201001056CD	Date	Feb.24.2010



(3) Electric Characteristic

Item	Specify	Performance
Center Freq.(Fo) +/- 0.5 %	650 MHz	650 MHz
Insertion Loss	Typ. 2.0 dB	1.16 dB
-3 dB Bandwidth	Typ. 120 MHz	129.9 MHz
Sensitivity (Attenuation)	Fo - 200 MHz	Typ. 39 dBc
	Fo + 200 MHz	Typ. 26 dBc
	Fo - ()MHz	Typ. dBc
	Fo + ()MHz	Typ. dBc
Return Loss	Min. 12 dB	21.5 dB
Ripple	< 1 dB	dB
Impedance	In / Out : 50 Ω	In / Out : 50 Ω
(4) Torque for Tuning Screw	> 100gf • cm	

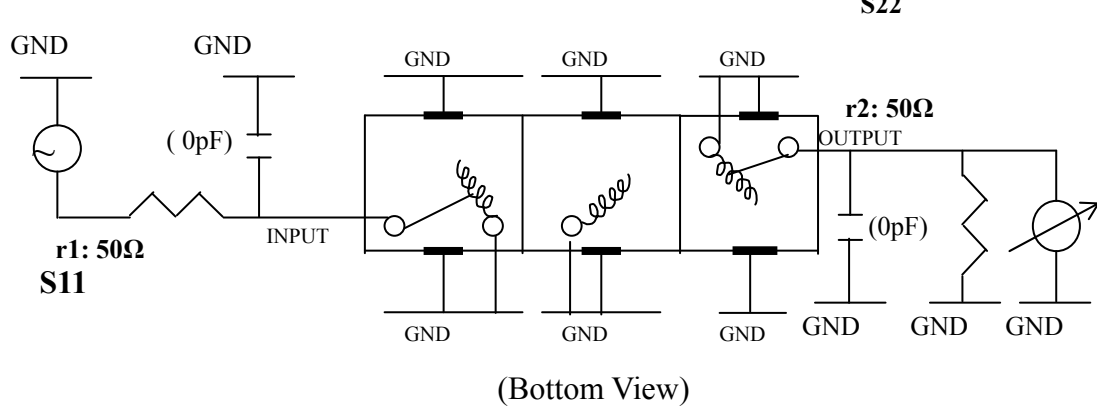
(5) Temperature Condition:

Operating Temperature	0°C ~ +60°C
Storage Temperature	-20°C ~ +70°C

(6) Input Power

	> 1Watt
--	---------

(7) Measuring Circuit: ※Easy to match Impedance S11/S22 50Ω by parallel with about(0pF) / (0pF).



Approval	Supervisor	Designer	Aperture size
C.Y.Chang	C.K.Chang	C.S.Chang	7H3(4*8.0)(8.06) 7H046RB6.5.

TEMWELL CORPORATION

Performance-TT63366B-650M-120M

201001056CD

