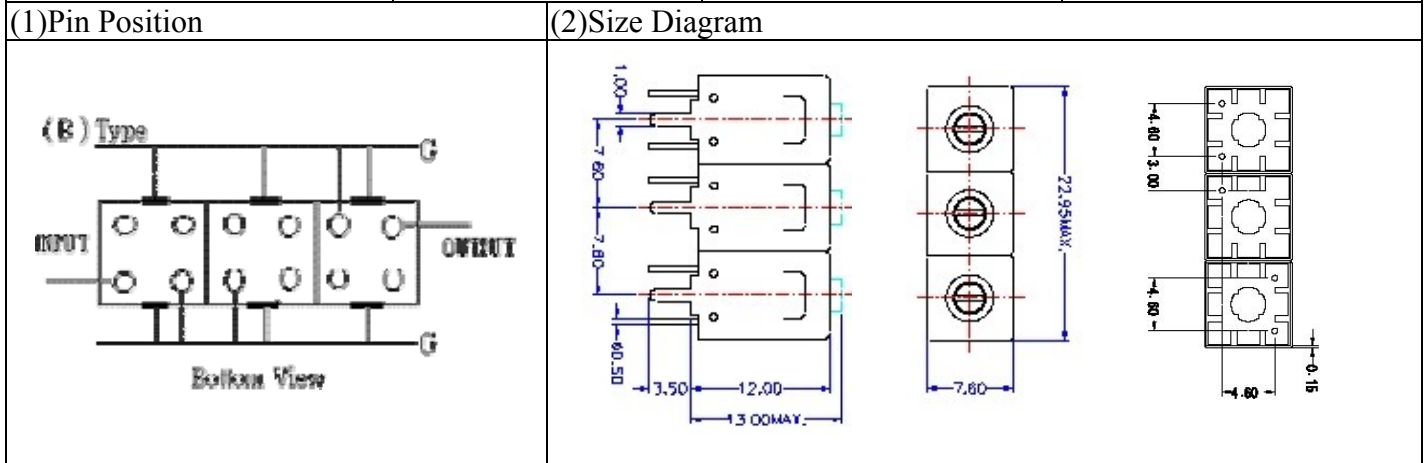


VHF UHF Helical Filter Specification Sheet

Customer Name		Temwell's Part No.	TT63365B-1200M
Approval No. /dated	1001055CD	Temwell's Print Name.	63365B 1200M
Work Instruction No.	201001055CD	Date	Jan.28.2010



(3) Electric Characteristic

Item	Specify	Performance
Center Freq.(Fo) +/- 0.5 %	1200 MHz	1200 MHz
Insertion Loss	Typ. 2.0 dB	1.15 dB
-3 dB Bandwidth	Typ. 120 MHz	137.6 MHz
Sensitivity (Attenuation)	Fo -200 MHz	Typ. 37 dBc
	Fo +200 MHz	Typ. 18 dBc
	Fo - ()MHz	Typ. dBc
	Fo +()MHz	Typ. dBc
Return Loss	Min. 12 dB	24.6 dB
Ripple	< 1 dB	dB
Impedance	In / Out : 50 Ω	In / Out : 50 Ω
(4) Torque for Tuning Screw	> 100gf · cm	

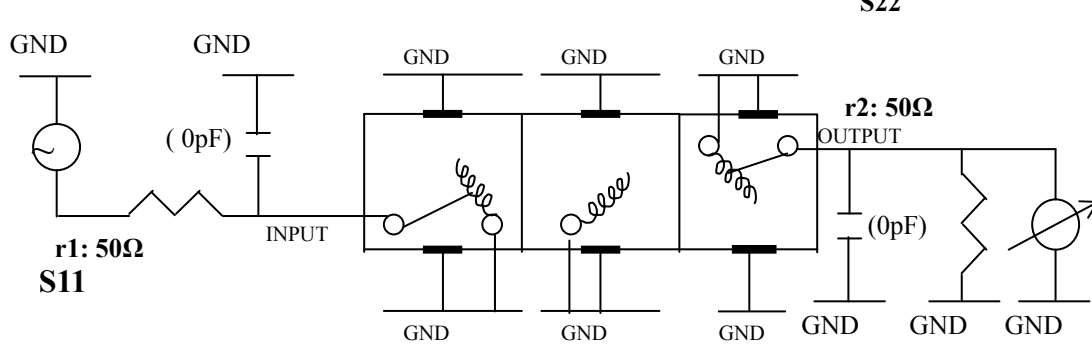
(5) Temperature Condition:

Operating Temperature	0°C ~ +60°C
Storage Temperature	-20°C ~ +70°C

(6) Input Power

> 1Watt

(7) Measuring Circuit: ※Easy to match Impedance S11/S22 50Ω by parallel with about(0pF) / (0pF).



(Bottom View)

Approval	Supervisor	Designer	Aperture size
C.Y.Chang	C.K.Chang	C.S.Chang	7H3(4*8.0)(8.04) 7H046RB6.5

TEMWELL CORPORATION

Performance-TT63365B-1200M

201001055CD

