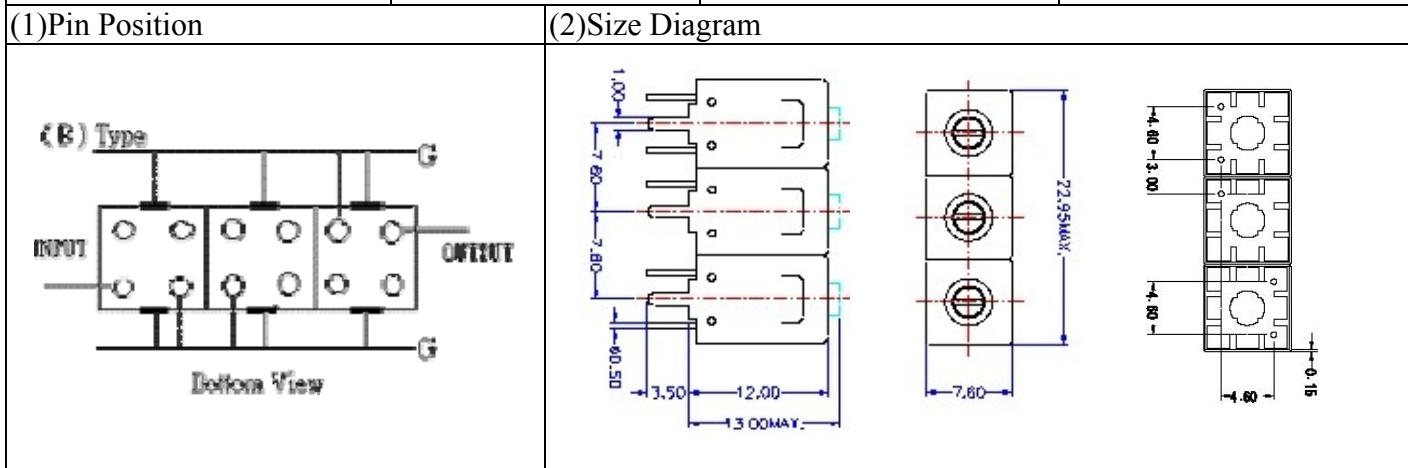


VHF UHF Helical Filter Specification Sheet

Customer Name		Temwell's Part No.	TT63364B-1280M
Approval No. /dated	1001054CD	Temwell's Print Name.	63364B 1280M
Work Instruction No.	201001054CD	Date	Jan.28.2010



(3) Electric Characteristic

Item	Specify	Performance	
Center Freq.(Fo) +/- 0.5 %	1280 MHz	1280 MHz	
Insertion Loss	Typ. 2.0 dB	1.06 dB	
-3 dB Bandwidth	Typ. 120 MHz	143.1 MHz	
Sensitivity (Attenuation)	Fo -200 MHz	Typ. 33 dBc	36 dBc
	Fo +200 MHz	Typ. 16 dBc	19 dBc
	Fo -()MHz	Typ. dBc	dBc
	Fo +()MHz	Typ. dBc	dBc
Return Loss	Min. 12 dB	28.8 dB	
Ripple	< 1 dB	dB	
Impedance	In / Out : 50 Ω	In / Out : 50 Ω	

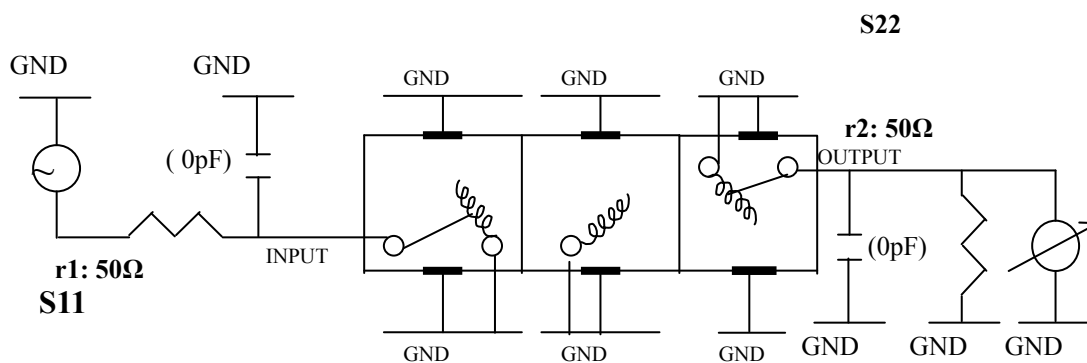
(4) Torque for Tuning Screw > 100gf • cm

(5) Temperature Condition:

Operating Temperature	0°C ~ +60°C
Storage Temperature	-20°C ~ +70°C

(6) Input Power > 1Watt

(7) Measuring Circuit: ※Easy to match Impedance S11/S22 50Ω by parallel with about(0pF) / (0pF).



(Bottom View)

Approval	Supervisor	Designer	Aperture size
C.Y.Chang	C.K.Chang	C.S.Chang	7H3(4*8.0)(8.01) 7H046RB6.5

TEMWELL CORPORATION

Performance-TT63364B-1280M

201001054CD

