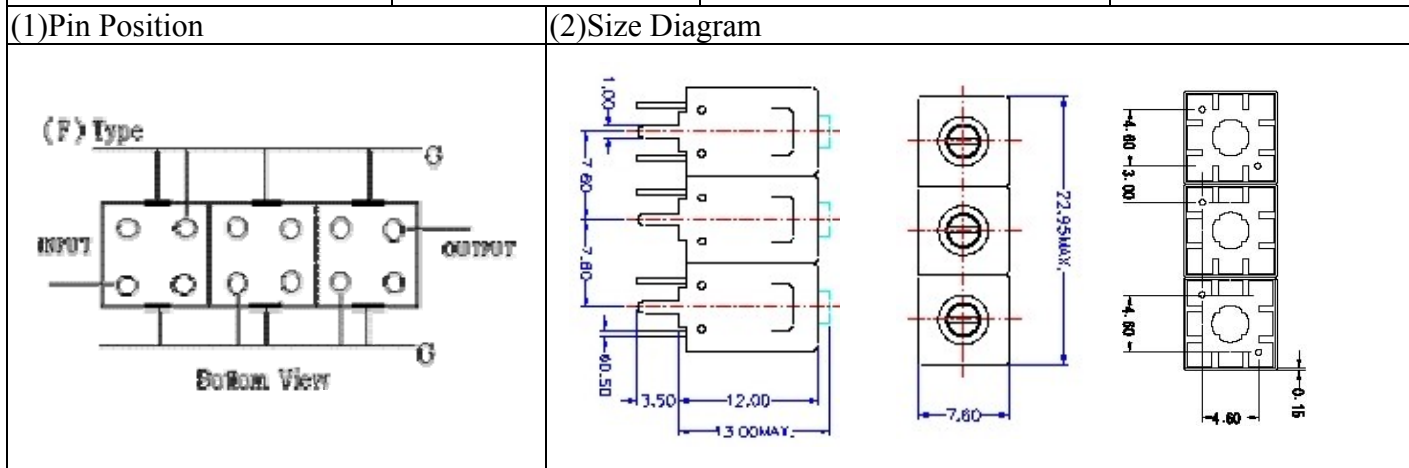


VHF UHF Helical Filter Specification Sheet

Customer Name		Temwell's Part No.	TT63362F-1300M-200M
Approval No. /dated		Temwell's print name	63362F 1300M
Work Instruction No.	200912055CD	Date	Jan.14.2010



(3) Electric Characteristic

Item	Specify	Performance
Center Freq.(Fo) +/- 0.5 %	1300 MHz	1300 MHz
Insertion Loss	Typ. 2.0 dB	1.18 dB
-3 dB Bandwidth	Typ. 200 MHz	220 MHz
Sensitivity (Attenuation)	Fo - 400 MHz	Typ. 46 dB
	Fo + 400 MHz	Typ. 26 dB
	Fo - ()MHz	Typ. dBc
	Fo + ()MHz	Typ. dBc
Return Loss	Min. 12 dB	26.7 dB
Ripple	< 1 dB	dB
Impedance	In / Out : 50 Ω	In / Out : 50 Ω

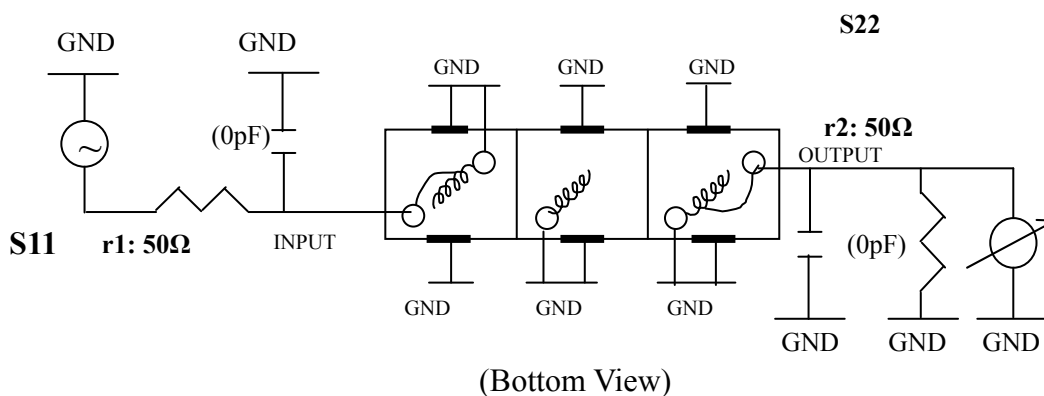
(4) Torque for Tuning Screw > 100gf · cm

(5) Temperature Condition:

Operating Temperature	0°C ~ +60°C
Storage Temperature	-20°C ~ +70°C

(6) Input Power > 1 Watt

(7) Measuring Circuit: ※Easy to match Impedance S11/S22 50Ω by parallel with about(0pF) / (0pF).



Approval C.Y.Chang	Supervisor C.K.Chang	Designer C.S.Chang	Aperture size 7H3(4*8.0)(8.02) 7H046RB6.5
-----------------------	-------------------------	-----------------------	---

TEMWELL CORPORATION

Performance-TT63362F-1300M-200M

200912055CD

