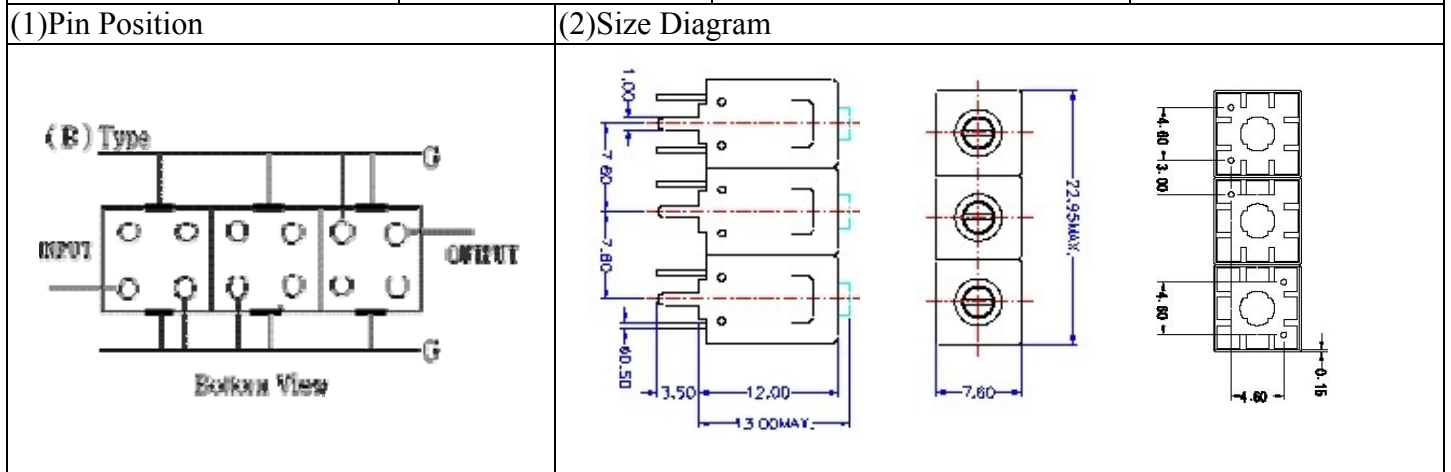


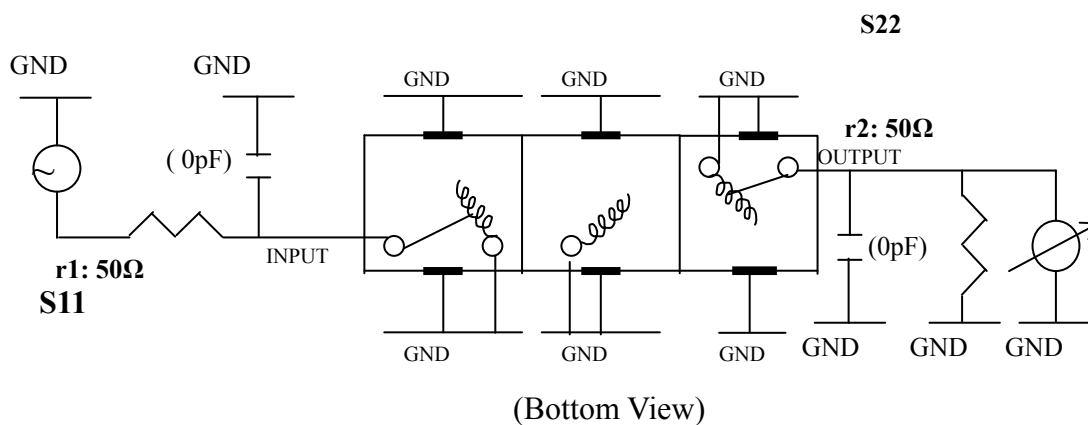
VHF UHF Helical Filter Specification Sheet

Customer Name		Temwell's Part No.	TT63357B-215M
Approval No. /dated	0911008APR	Customer's Print Name.	63357B 215M
Work Instruction No.	200911008BD	Date	Nov.10.2009



(3) Electric Characteristic			
Item	Specify	Performance	
Center Freq.(Fo) +/- 0.5 %	215 MHz	215 MHz	
Insertion Loss	Typ. 4.5 dB	4.03 dB	
-3 dB Bandwidth	Typ. 3 MHz	4.9 MHz	
Sensitivity (Attenuation)	Fo - (8) MHz	Typ. 20 dBc	25 dBc
	Fo + (8) MHz	Typ. 20 dBc	24 dBc
	Fo - () MHz	Typ. dBc	dBc
	Fo + () MHz	Typ. dBc	dBc
Return Loss	Min. 12 dB	27.7 dB	
Ripple	< 1 dB	dB	
Impedance	In / Out : 50 Ω	In / Out : 50 Ω	
(4) Torque for Tuning Screw	>100gf • cm		
(5) Temperature Condition:			
Operating Temperature	0°C ~ +20°C		
Storage Temperature	-20°C ~ +70°C		
(6) Input Power	> 1Watt		

(7) Measuring Circuit: ※Easy to match Impedance S11/S22 50Ω by parallel with about(0pF) / (0pF).

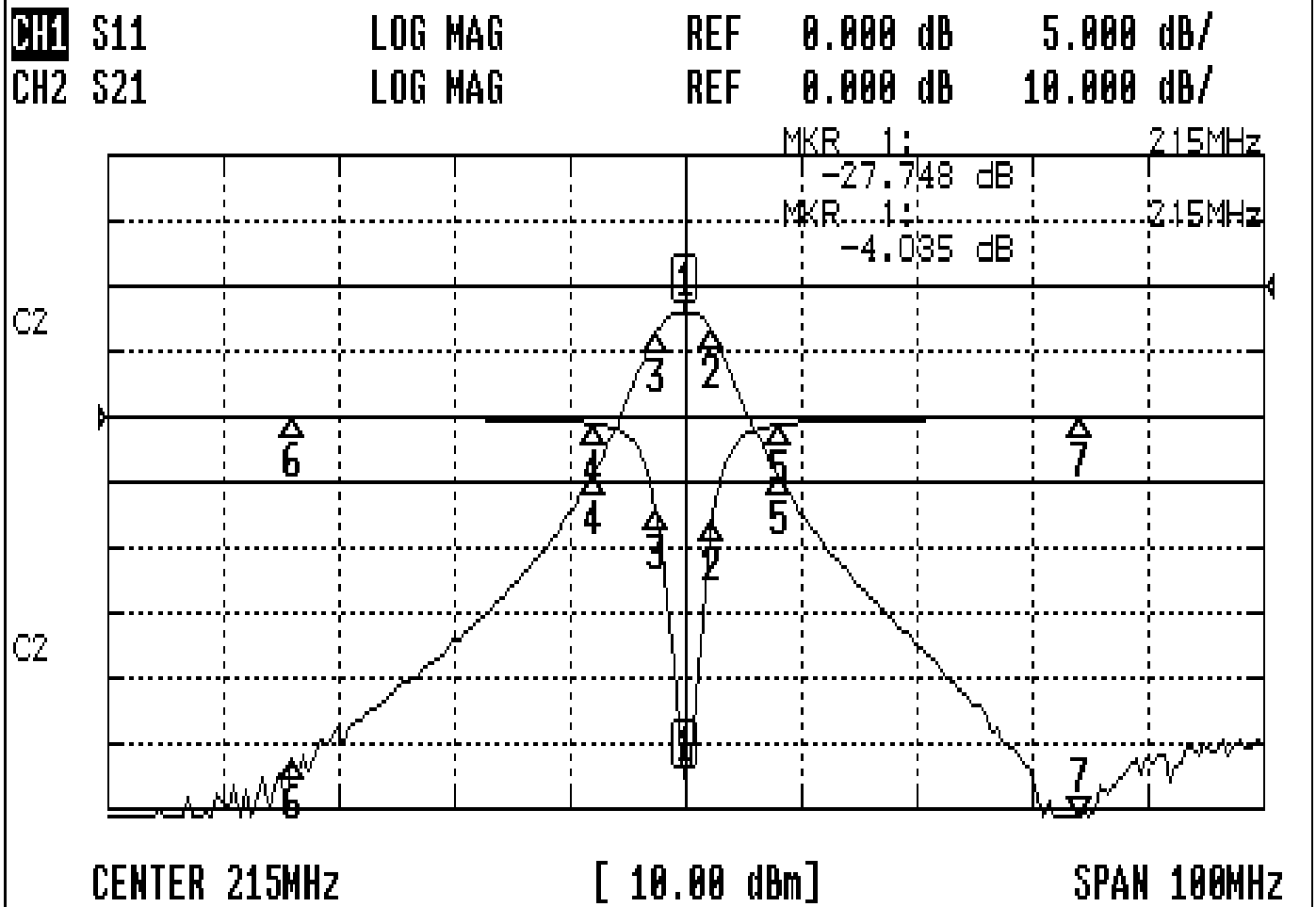


Approval	Supervisor	Designer	Aperture size
C.Y.Chang	C.K.Chang	C.H.Yeh	7H3S(4*4.5)(4.58) 7H024LB4

TEMWELL CORPORATION

Performance-TT63357B-215M

200911008BD



CH1 MARKER LIST

1:	215.000MHz	-27.748	dB
2:	217.416MHz	-7.987	dB
3:	212.500MHz	-7.036	dB
4:	207.000MHz	-0.549	dB
5:	223.000MHz	-0.606	dB
6:	181.000MHz	-0.079	dB
7:	249.000MHz	-0.092	dB
8:			
9:			
10:			

CH2 MARKER LIST

1:	215.000MHz	-4.035	dB
2:	217.416MHz	-6.904	dB
3:	212.500MHz	-7.019	dB
4:	207.000MHz	-29.008	dB
5:	223.000MHz	-28.825	dB
6:	181.000MHz	-74.748	dB
7:	249.000MHz	-81.600	dB
8:			
9:			
10:			