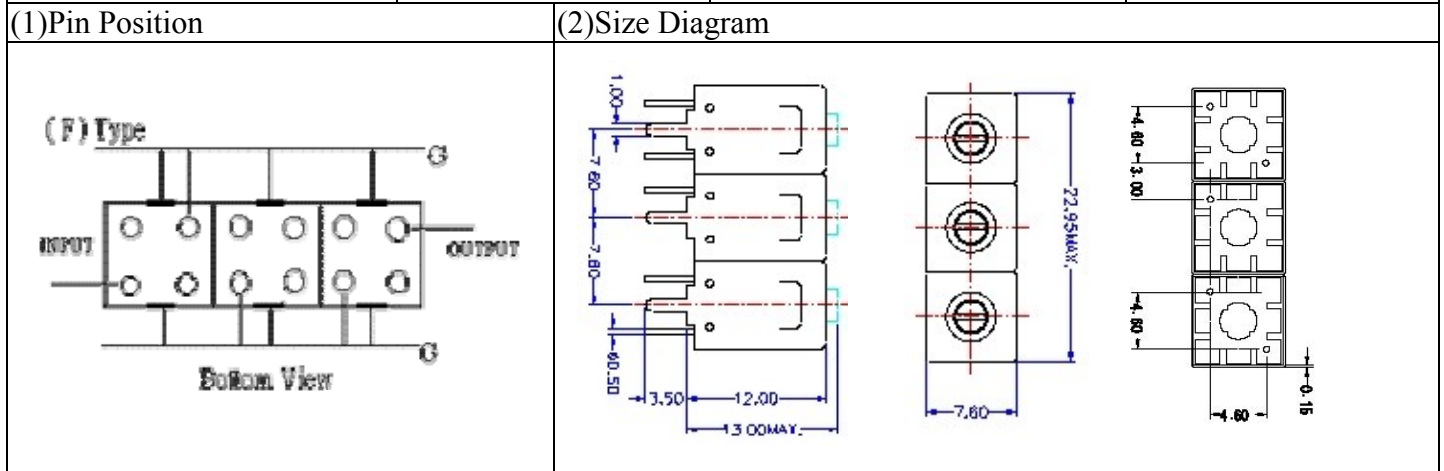


# VHF UHF Helical Filter Specification Sheet

Customer Name		Temwell's Part No.	TT63348F-805M
Approval No. /dated	0906140CD	Temwell's print name	63348F 805M
Work Instruction No.	200906140CD	Date	Aug.21.2009



(3)Electric Characteristic					
Item		Specify		Performance	
Center Freq.(Fo ) +/- 0.5 %		805 MHz		805 MHz	
Insertion Loss		Typ. 2.0 dB		0.65 dB	
-3 dB Bandwidth		Typ. 140 MHz		142.9 MHz	
Sensitivity (Attenuation )	Fo - (200)MHz	Typ. 29 dBc		32 dBc	
	Fo + (200)MHz	Typ. 26 dBc		29 dBc	
	Fo - ( )MHz	Typ. dBc		dBc	
	Fo +( )MHz	Typ. dBc		dBc	
Return Loss		Min. 12 dB		34.0 dB	
Ripple		< 1 dB		dB	
Impedance		In / Out : 50 Ω		In / Out : 50 Ω	

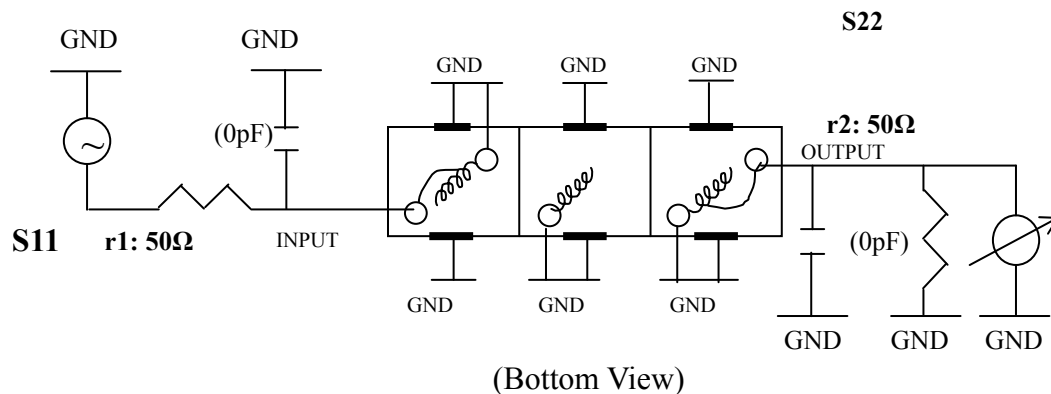
(4)Torque for Tuning Screw > 100gf • cm

(5)Temperature Condition:

Operating Temperature	0°C ~ +60°C
Storage Temperature	-20°C ~ +70°C

(6)Input Power > 1Watt

(7)Measuring Circuit: ※Easy to match Impedance S11/S22 50Ω by parallel with about( 0pF) / (0pF).



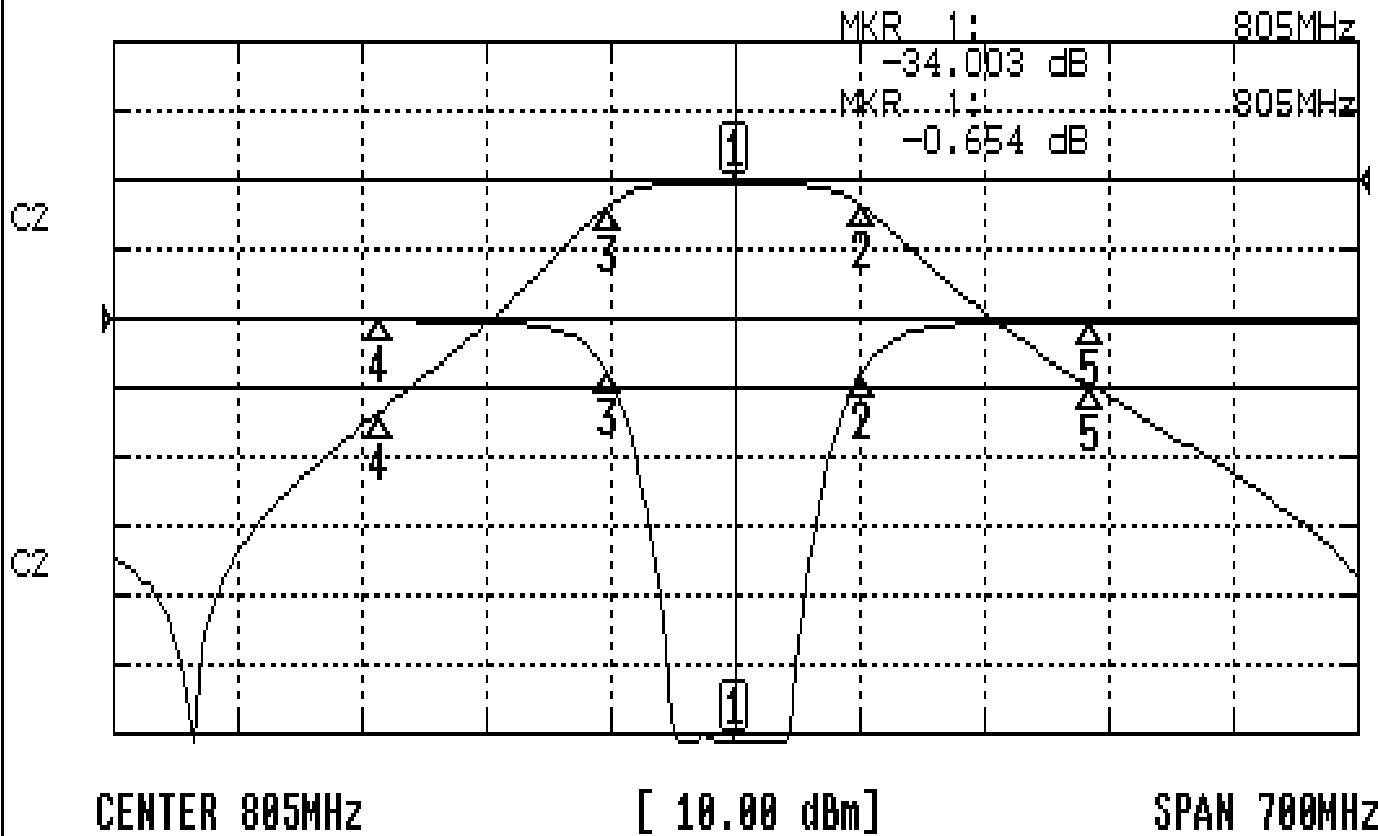
Approval	Supervisor	Designer	Aperture size
C.Y.Chang	C.K.Chang	Y.H.Yeh	7H3S(4*8.0)(8.04) 7H046RB6.5

TEMWELL CORPORATION

# Performance-TT63348F-805M

## 200906140CD

CH1 S11 LOG MAG REF 0.000 dB 5.000 dB/  
 CH2 S21 LOG MAG REF 0.000 dB 10.000 dB/



### CH1 MARKER LIST

1:	805.000MHz	-34.003 dB
2:	876.000MHz	-4.007 dB
3:	733.120MHz	-3.892 dB
4:	605.000MHz	-0.116 dB
5:	1.005000GHz	-0.210 dB

### CH2 MARKER LIST

1:	805.000MHz	-0.653 dB
2:	876.000MHz	-1.009 dB
3:	733.120MHz	-1.000 dB
4:	605.000MHz	-0.492 dB
5:	1.005000GHz	-0.790 dB