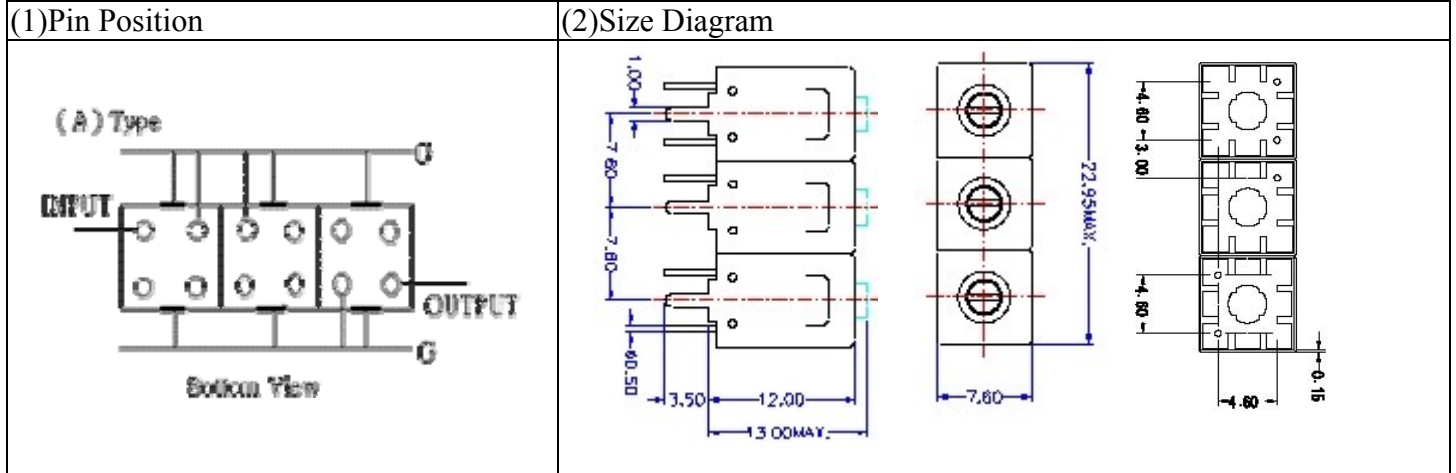


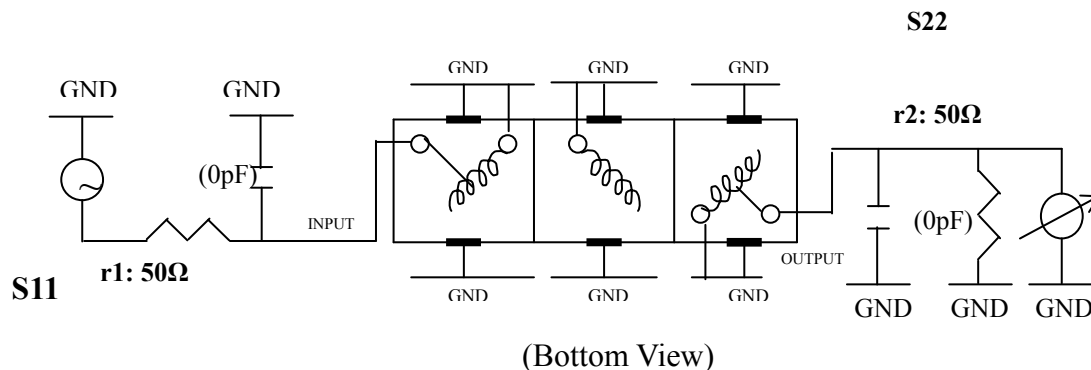
VHF UHF Helical Filter Specification Sheet

Customer Name		Temwell's Part No.	TT63345A-653M
Approval No. /dated	0906118APR	Customer's Print Name.	63345A 653M
Work Instruction No.	200906118BD	Date	Jun.23.2009



(3) Electric Characteristic			
Item	Specify	Performance	
Center Freq.(Fo) +/- 0.5 %	653 MHz	653 MHz	
Insertion Loss	Typ. 2.5 dB	1.60 dB	
-3 dB Bandwidth	Typ. 35 MHz	40.3 MHz	
Sensitivity (Attenuation)	Fo - 100 MHz	Typ. 49 dBc	52 dBc
	Fo + 100 MHz	Typ. 32 dBc	35 dBc
	Fo - ()MHz	Typ. dBc	dBc
	Fo +()MHz	Typ. dBc	dBc
Return Loss	Min. 12 dB	21.3 dB	
Ripple	< 1 dB	dB	
Impedance	In / Out : 50 Ω	In / Out : 50 Ω	
(4) Torque for Tuning Screw		> 100gf · cm	
(5) Temperature Condition:			
Operating Temperature		0°C ~ +60°C	
Storage Temperature		-20°C ~ +70°C	
(6) Input Power		> 1 Watt	

(7) Measuring Circuit: ※Easy to match Impedance S11/S22 50Ω by parallel with about(0pF) / (0pF).



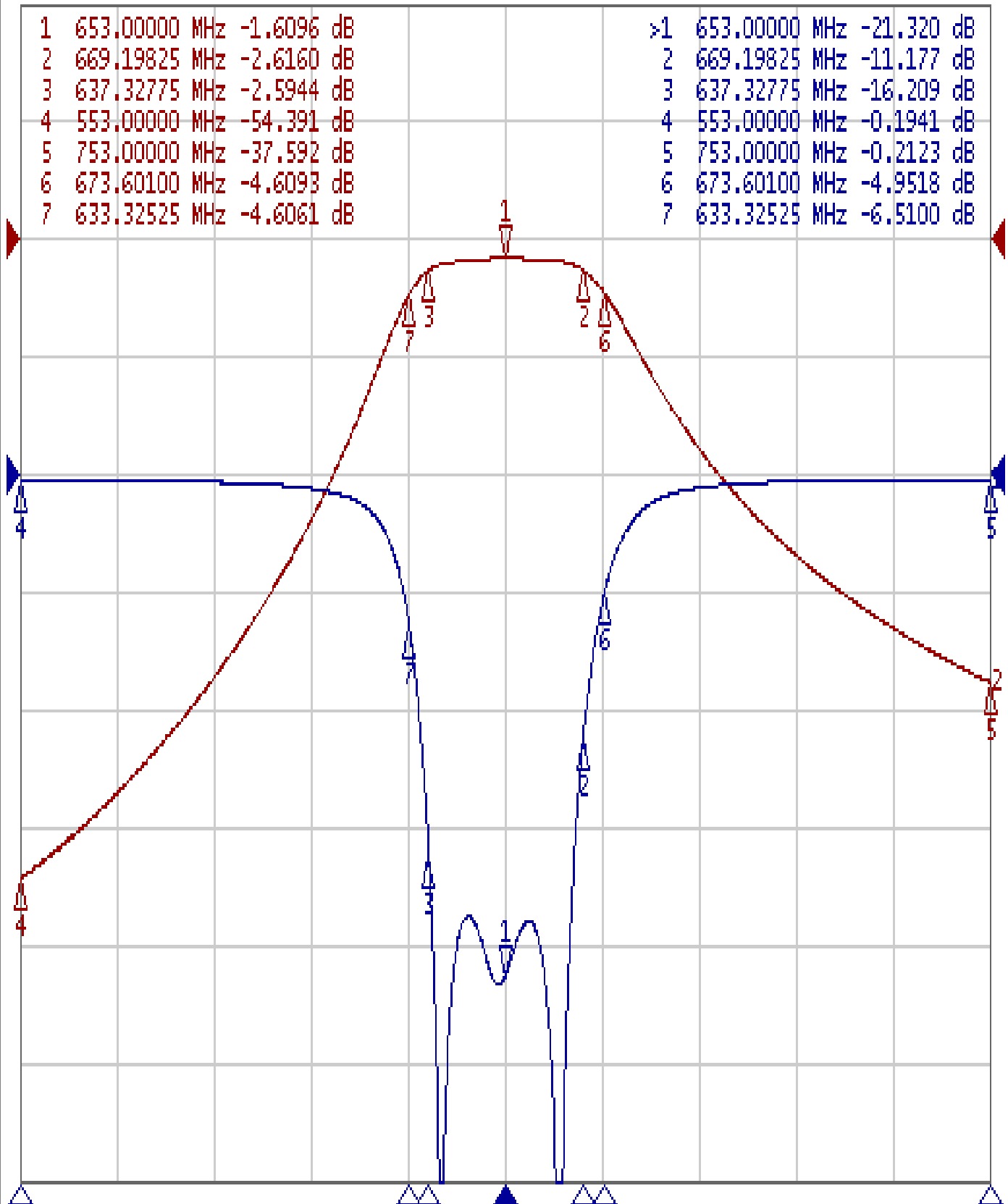
Approval C.Y.Chang	Supervisor C.K.Chang	Designer C.S.Chang	Aperture size 7H3S(4*5.5)(5.56) (7H046LB5)
-----------------------	-------------------------	-----------------------	--

TEMWELL CORPORATION

Performance-TT63345A-653M

200906118BD

Tr1 S11 Log Mag 5.000dB/ Ref 0.000dB [F4]
Tr2 S21 Log Mag 10.00dB/ Ref 0.000dB [F4]



1 Center 653 MHz

IFBW 10 kHz

Span 200 MHz

