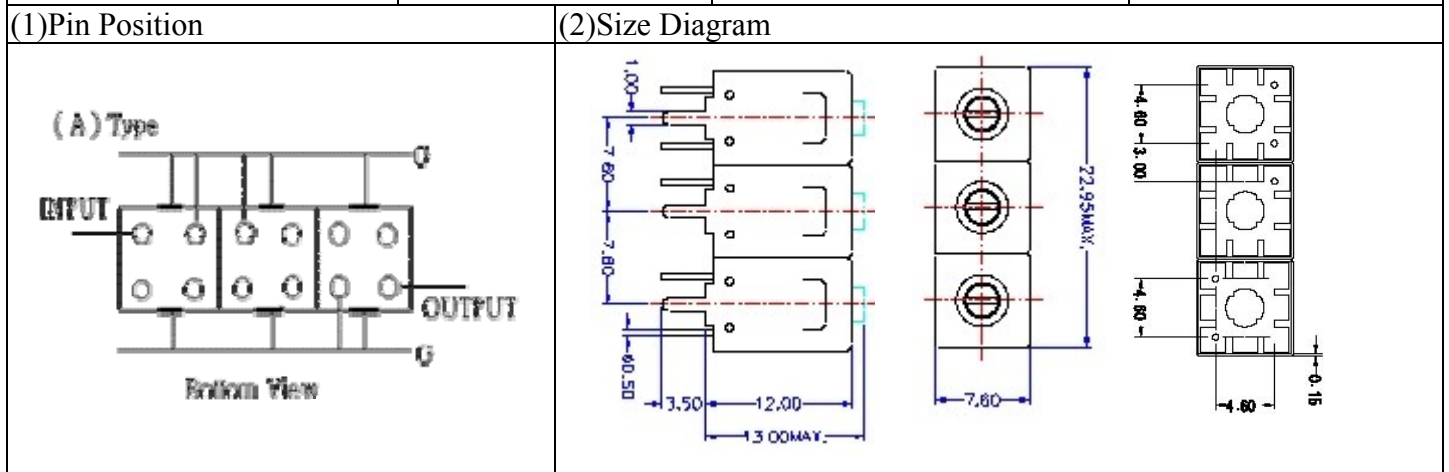


VHF UHF Helical Filter Specification Sheet

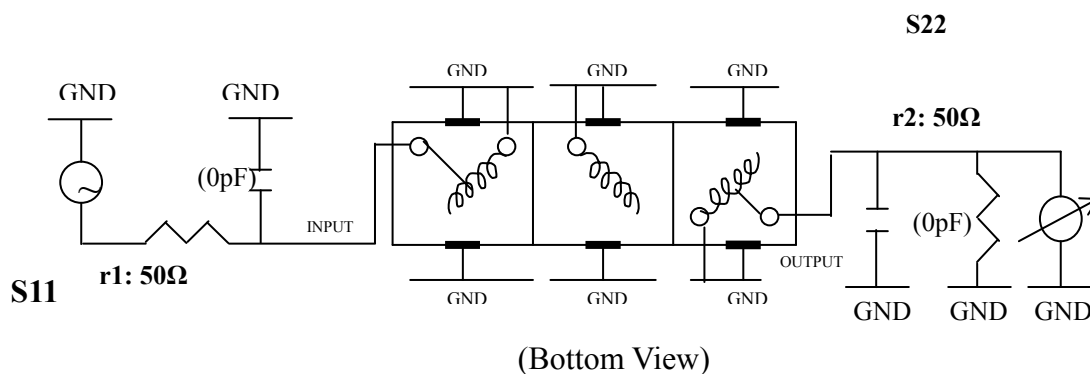
Customer Name		Temwell's Part No.	TT63344A-577M
Approval No. /dated	0906117APR	Customer's Print Name.	63344A 577M
Work Instruction No.	200906117BD	Date	Jun.23.2009



(3) Electric Characteristic		Specify	Performance
Item			
Center Freq.(Fo) +/- 0.5 %		577 MHz	577 MHz
Insertion Loss		Typ. 2.0 dB	1.47 dB
-3 dB Bandwidth		Typ. 35 MHz	39.4 MHz
Sensitivity (Attenuation)	Fo - 100 MHz	Typ. 50 dBc	53 dBc
	Fo + 100 MHz	Typ. 32 dBc	35 dBc
	Fo - ()MHz	Typ. dBc	dBc
	Fo +()MHz	Typ. dBc	dBc
Return Loss		Min. 12 dB	24.3 dB
Ripple		< 1 dB	dB
Impedance		In / Out : 50 Ω	In / Out : 50 Ω
(4) Torque for Tuning Screw		> 100gf · cm	

(5) Temperature Condition:	
Operating Temperature	0°C ~ +60°C
Storage Temperature	-20°C ~ +70°C
(6) Input Power	> 1Watt

(7) Measuring Circuit: ※Easy to match Impedance S11/S22 50Ωby parallel with about(0pF) / (0pF).



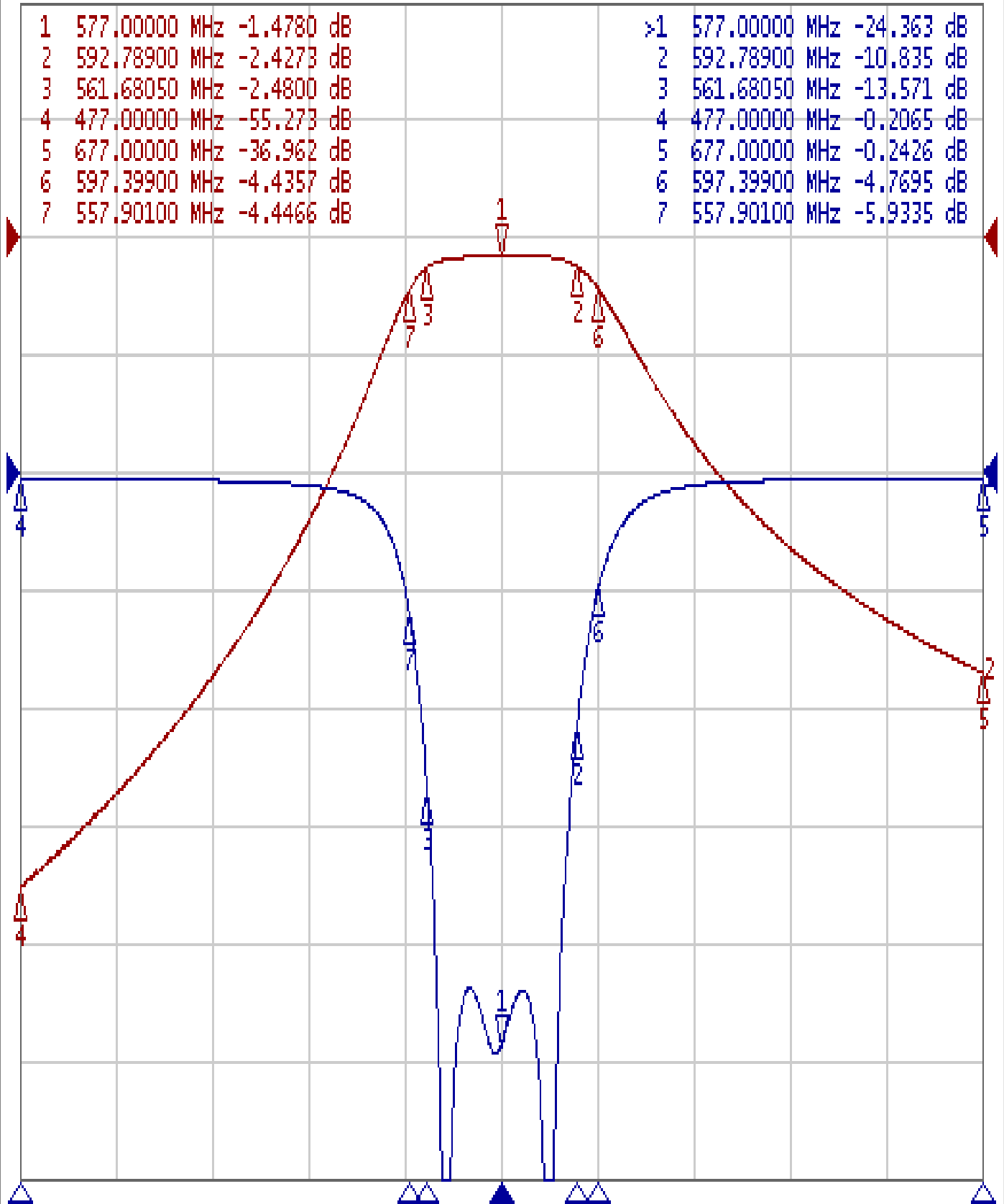
Approval	Supervisor	Designer	Aperture size
C.Y.Chang	C.K.Chang	C.S.Chang	7H3S(4*5.5)(5.54) (7H046LB5)

TEMWELL CORPORATION

Performance-TT63344A-577M

200906117BD

Tr1 S11 Log Mag 5.000dB/ Ref 0.000dB [F4]
Tr2 S21 Log Mag 10.00dB/ Ref 0.000dB [F4]



1 Center 577 MHz

IFBW 10 kHz

Span 200 MHz

