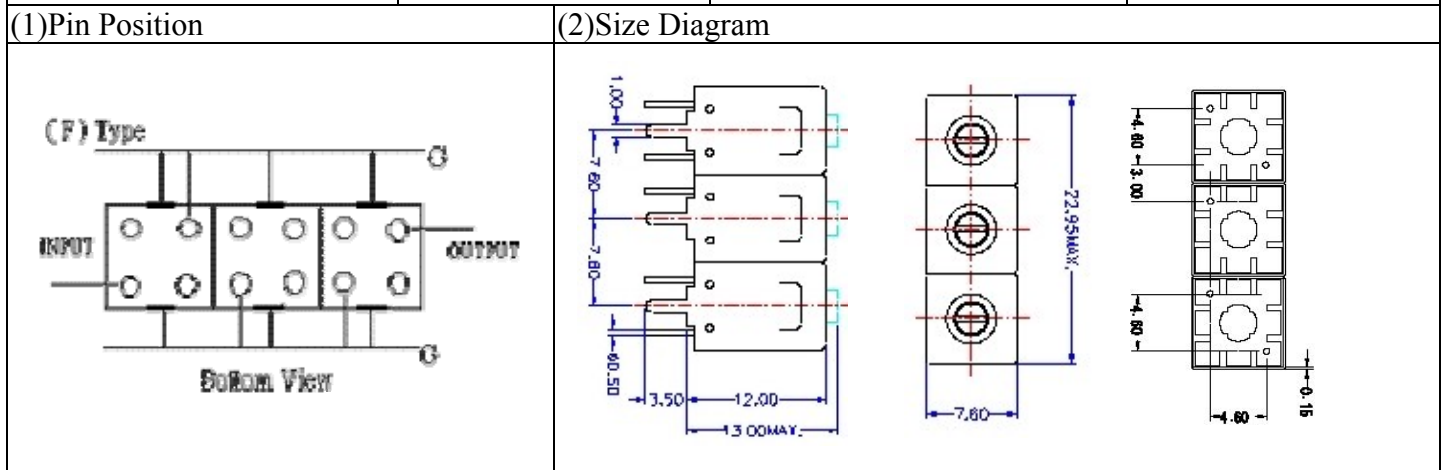


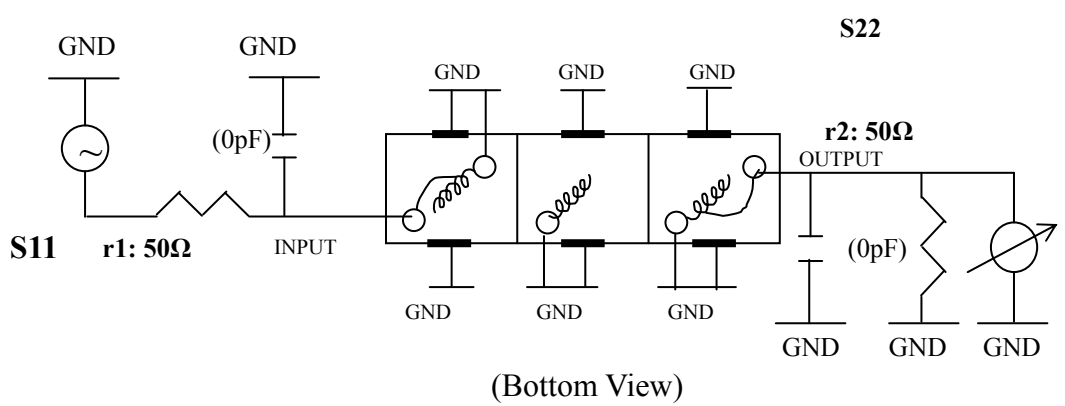
VHF UHF Helical Filter Specification Sheet

Customer Name		Temwell's Part No.	TT63339F-1160M
Approval No. /dated	0905020CD	Temwell's print name	63339F 1160M
Work Instruction No.	200905020CD	Date	Jun.12.2009



(3) Electric Characteristic		Item	Specify	Performance
Center Freq.(Fo) +/- 0.5 %			1160 MHz	1160 MHz
Insertion Loss		Typ.	2.0 dB	1.00 dB
-3 dB Bandwidth		Typ.	120 MHz	132.6 MHz
Sensitivity (Attenuation)	Fo - 200 MHz	Typ.	28 dBc	31 dBc
	Fo + 200 MHz	Typ.	24 dBc	27 dBc
	Fo - ()MHz	Typ.	dBc	dBc
	Fo +()MHz	Typ.	dBc	dBc
Return Loss		Min.	12 dB	22.4 dB
Ripple			< 1 dB	dB
Impedance			In / Out : 50 Ω	In / Out : 50 Ω
(4) Torque for Tuning Screw			> 100gf • cm	
(5) Temperature Condition:				
Operating Temperature				0°C ~ +60°C
Storage Temperature				-20°C ~ +70°C
(6) Input Power				> 1Watt

(7) Measuring Circuit: ※Easy to match Impedance S11/S22 50Ω by parallel with about(0pF) / (0pF).



Approval	Supervisor	Designer	Aperture size
C.Y.Chang	C.K.Chang	C.S.Chang	7H3(4*6.5F)(6.58) 7H046RB6.5

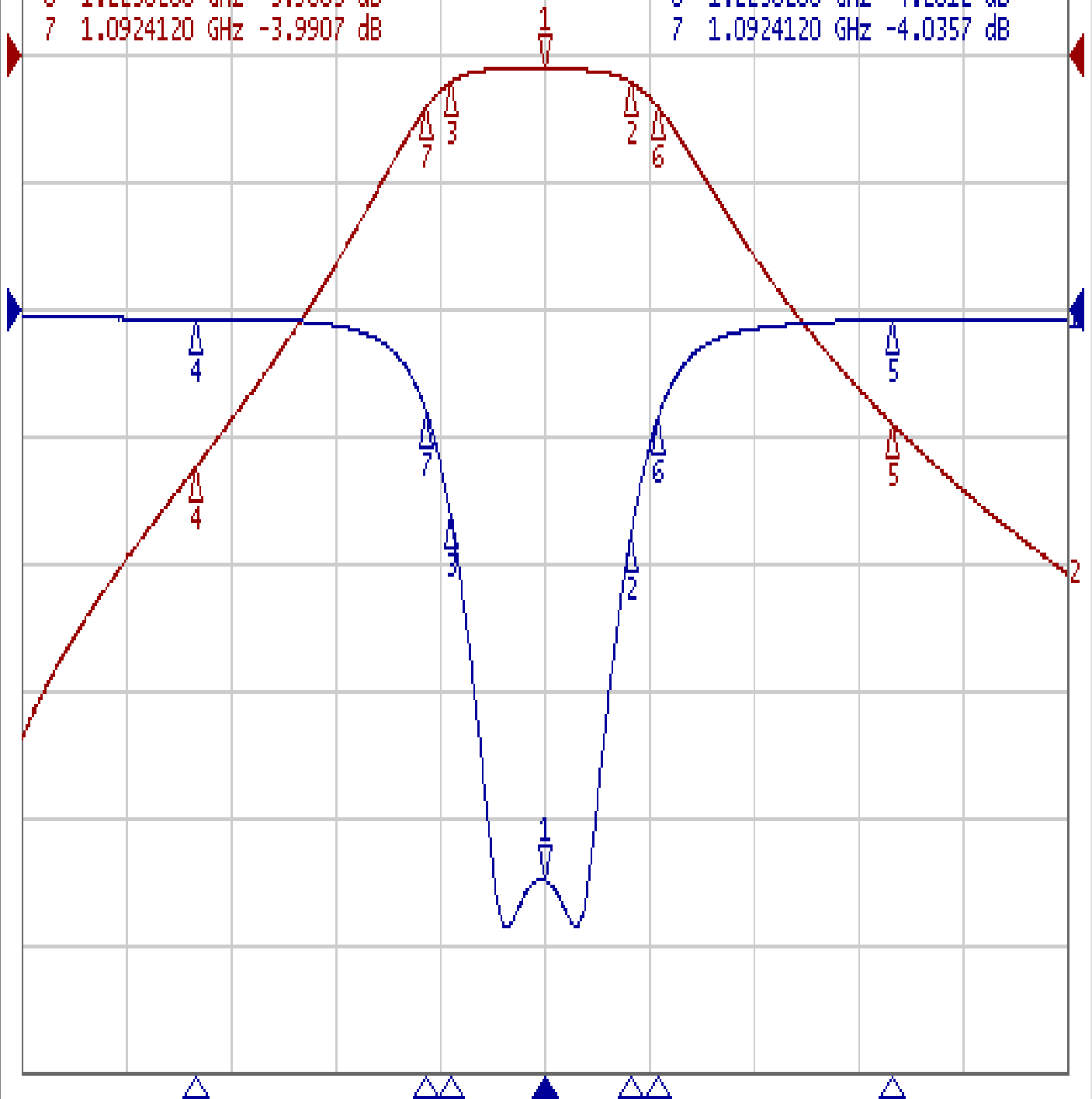
TEMWELL CORPORATION

Performance-TT63339F-1160M

200905020CD

Tr1 S11 Log Mag 5.000dB/ Ref 0.000dB [F3]
Tr2 S21 Log Mag 10.00dB/ Ref 0.000dB [F3]

1	1.1600000 GHz	-1.0097 dB	>1	1.1600000 GHz	-22.443 dB
2	1.2094183 GHz	-2.0318 dB	2	1.2094183 GHz	-8.9949 dB
3	1.1061538 GHz	-2.0539 dB	3	1.1061538 GHz	-8.0979 dB
4	960.00000 MHz	-32.364 dB	4	960.00000 MHz	-0.3478 dB
5	1.3600000 GHz	-28.991 dB	5	1.3600000 GHz	-0.4172 dB
6	1.2250280 GHz	-3.9883 dB	6	1.2250280 GHz	-4.2812 dB
7	1.0924120 GHz	-3.9907 dB	7	1.0924120 GHz	-4.0357 dB



1 Center 1.16 GHz

IFBW 10 kHz

Span 600 MHz

