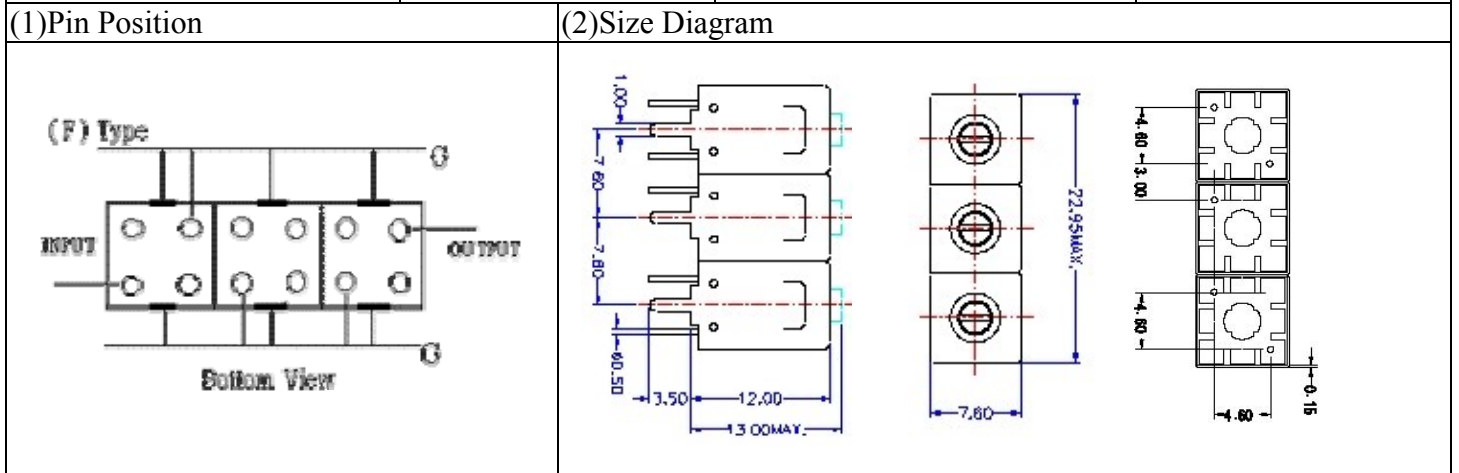


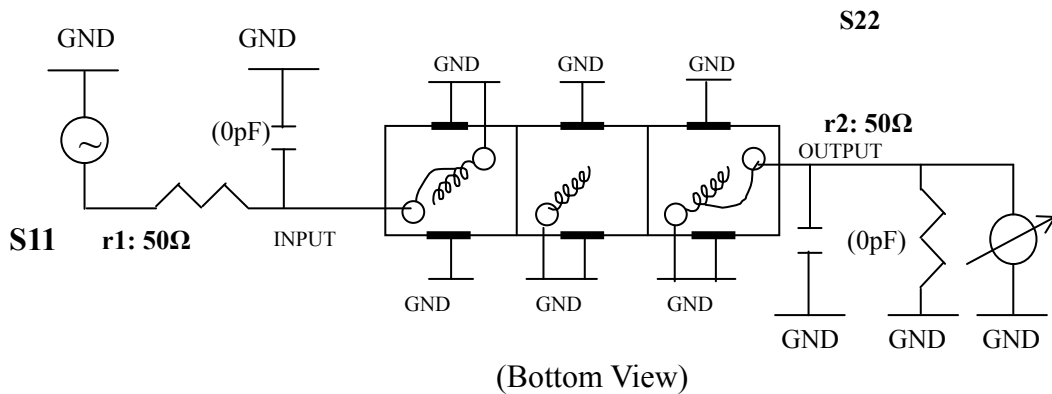
# VHF UHF Helical Filter Specification Sheet

Customer Name		Temwell's Part No.	TT63338F-980M
Approval No. /dated	0905019CD	Temwell's print name	63338F 980M
Work Instruction No.	200905019CD	Date	Jun.11.2009



(3) Electric Characteristic			
Item	Specify	Performance	
Center Freq.(Fo) +/- 0.5 %	980 MHz	980	MHz
Insertion Loss	Typ. 2.0 dB	0.98	dB
-3 dB Bandwidth	Typ. 120 MHz	128.1	MHz
Sensitivity (Attenuation)	Fo - 200 MHz	Typ. 28	dBc
	Fo + 200 MHz	Typ. 34	dBc
	Fo - ( )MHz	Typ.	dBc
	Fo +( )MHz	Typ.	dBc
Return Loss	Min. 12 dB	24.8	dB
Ripple	< 1 dB		dB
Impedance	In / Out : 50 Ω	In / Out : 50 Ω	
(4) Torque for Tuning Screw	> 100gf · cm		
(5) Temperature Condition:			
Operating Temperature	0°C ~ +60°C		
Storage Temperature	-20°C ~ +70°C		
(6) Input Power	> 1Watt		

(7) Measuring Circuit: ※Easy to match Impedance S11/S22 50Ω by parallel with about( 0pF) / (0pF).



Approval C.Y.Chang	Supervisor C.K.Chang	Designer C.S.Chang	Aperture size 7H3(4*5.5F)(5.56) 7H046RB6.5
-----------------------	-------------------------	-----------------------	--

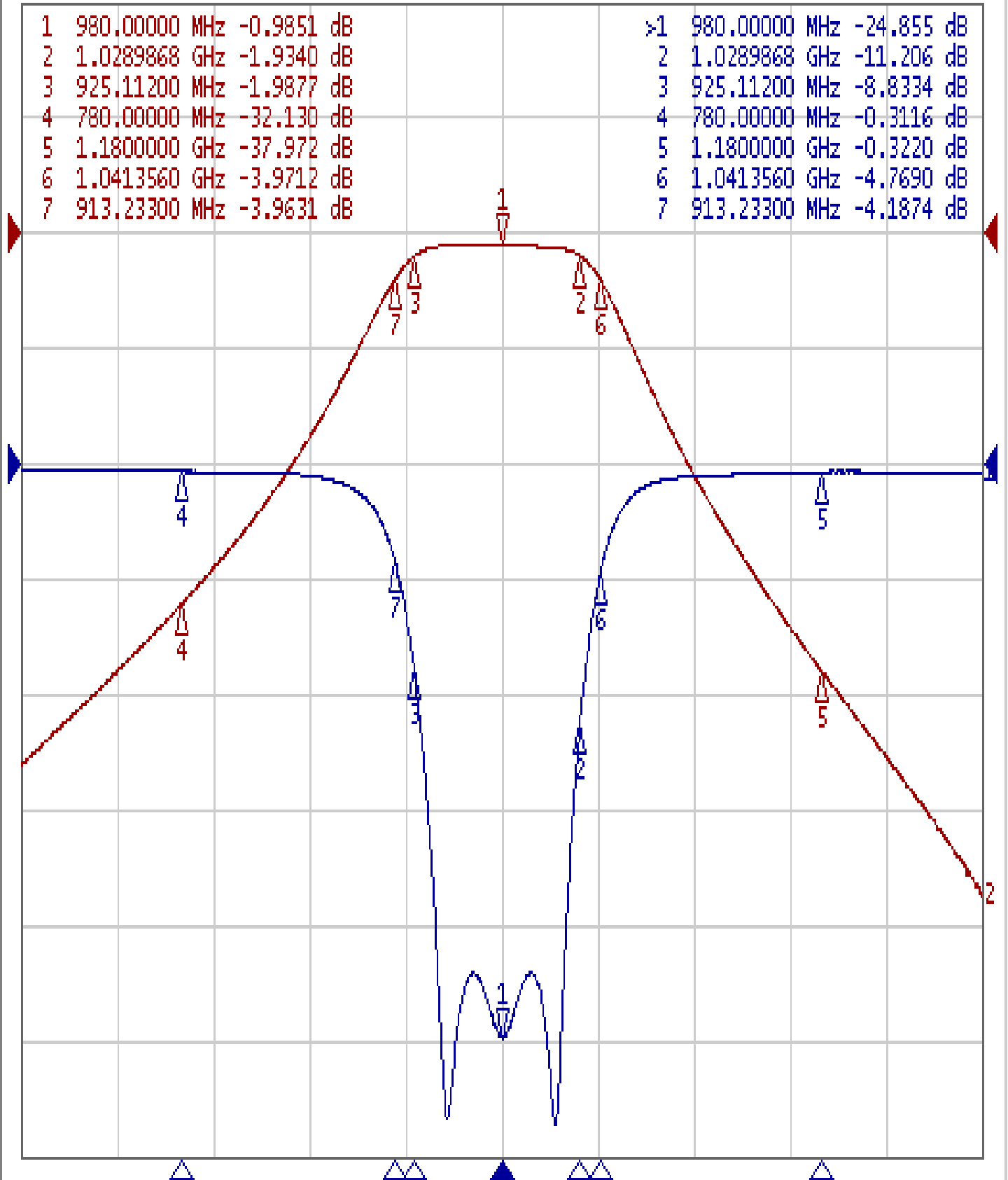
# Performance-TT63338F-980M

## 200905019CD

▶ Tr1 S11 Log Mag 5.000dB/ Ref 0.000dB [F3]  
Tr2 S21 Log Mag 10.00dB/ Ref 0.000dB [F3]

1	980.00000 MHz	-0.9851 dB
2	1.0289868 GHz	-1.9340 dB
3	925.11200 MHz	-1.9877 dB
4	780.00000 MHz	-32.130 dB
5	1.1800000 GHz	-37.972 dB
6	1.0413560 GHz	-3.9712 dB
7	913.23300 MHz	-3.9631 dB

>1	980.00000 MHz	-24.855 dB
2	1.0289868 GHz	-11.206 dB
3	925.11200 MHz	-8.8334 dB
4	780.00000 MHz	-0.3116 dB
5	1.1800000 GHz	-0.3220 dB
6	1.0413560 GHz	-4.7690 dB
7	913.23300 MHz	-4.1874 dB



1 Center 980 MHz

IFBW 10 kHz

Span 600 MHz

