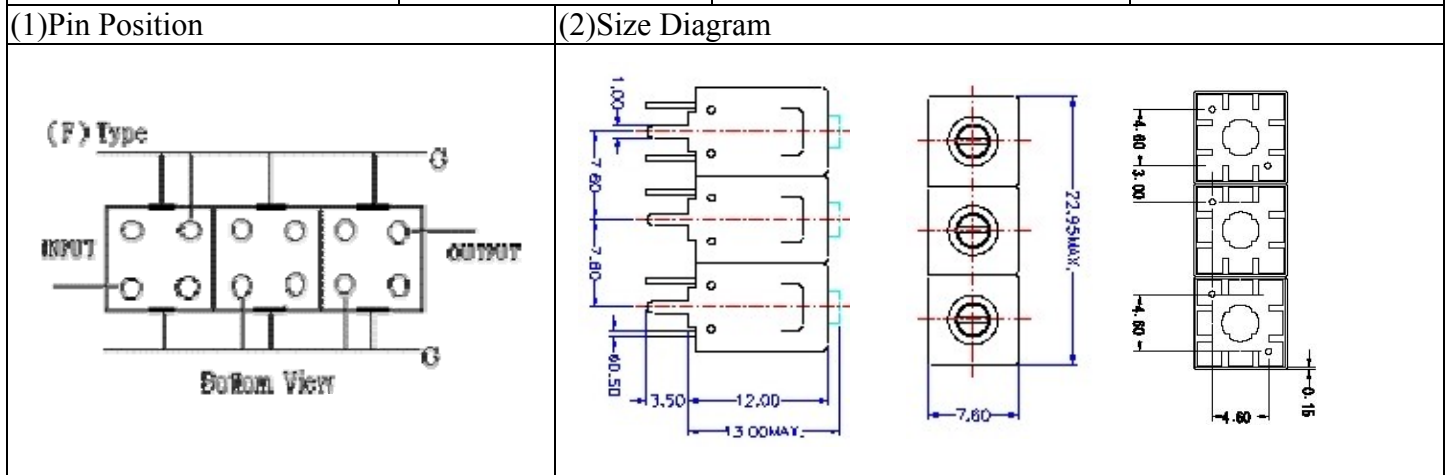


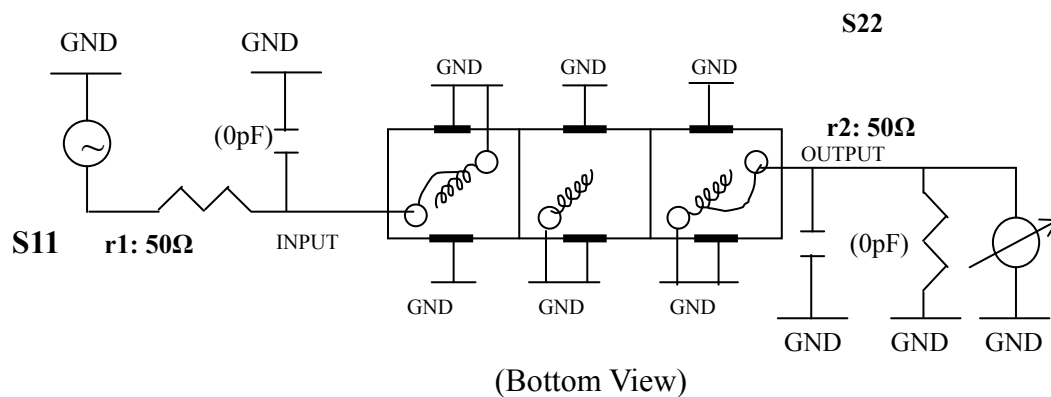
VHF UHF Helical Filter Specification Sheet

Customer Name		Temwell's Part No.	TT63337F-725M
Approval No. /dated	0905018CD	Temwell's print name	63337F 725M
Work Instruction No.	200905018CD	Date	Jun.01.2009



(3) Electric Characteristic			
Item	Specify	Performance	
Center Freq.(Fo) +/- 0.5 %	725 MHz	725	MHz
Insertion Loss	Typ. 1.5 dB	0.74	dB
-3 dB Bandwidth	Typ. 120 MHz	126.7	MHz
Sensitivity (Attenuation)	Fo - 150 MHz	Typ. 25	dBc
	Fo + 150 MHz	Typ. 21	dBc
	Fo - ()MHz	Typ.	dBc
	Fo +()MHz	Typ.	dBc
Return Loss	Min. 12 dB	20.1	dB
Ripple	< 1 dB		dB
Impedance	In / Out : 50 Ω	In / Out : 50 Ω	
(4) Torque for Tuning Screw	> 100gf · cm		
(5) Temperature Condition:			
Operating Temperature	0°C ~ +60°C		
Storage Temperature	-20°C ~ +70°C		
(6) Input Power	> 1Watt		

(7) Measuring Circuit: ※Easy to match Impedance S11/S22 50Ω by parallel with about(0pF) / (0pF).



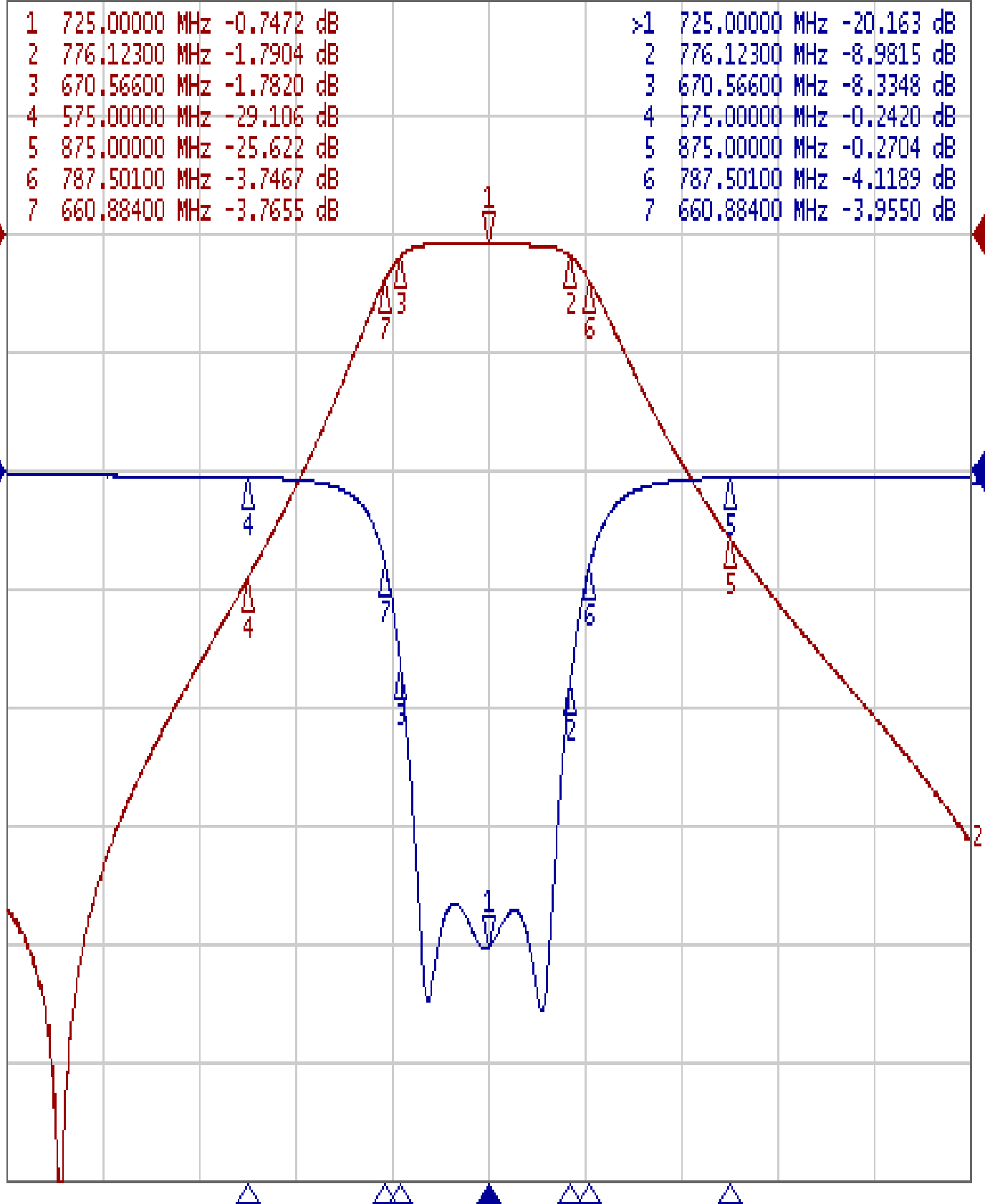
Approval	Supervisor	Designer	Aperture size
C.Y.Chang	C.K.Chang	C.S.Chang	7H3(4*7.5F)(7.54) 7H046RB6.5

TEMWELL CORPORATION

Performance-TT63337F-725M

200905018CD

Tr1 S11 Log Mag 5.000dB/ Ref 0.000dB [F3]
Tr2 S21 Log Mag 10.00dB/ Ref 0.000dB [F3]



1 Center 725 MHz

IFBW 10 kHz

Span 600 MHz

