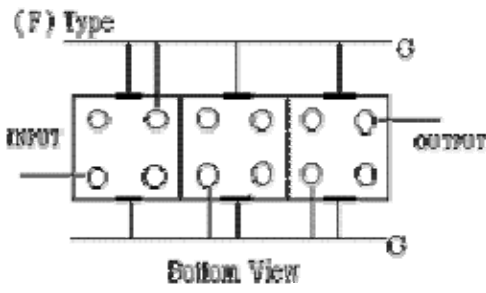
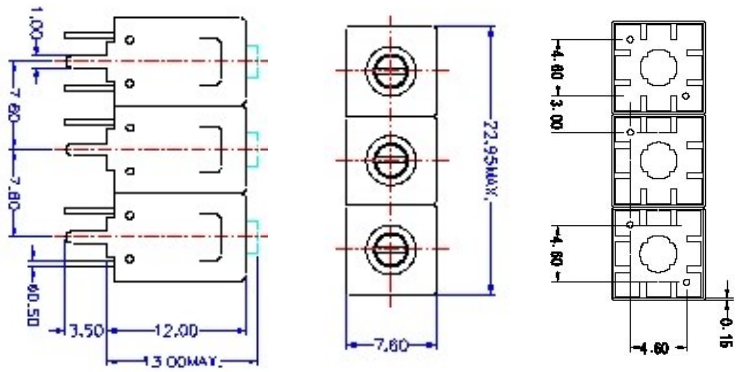
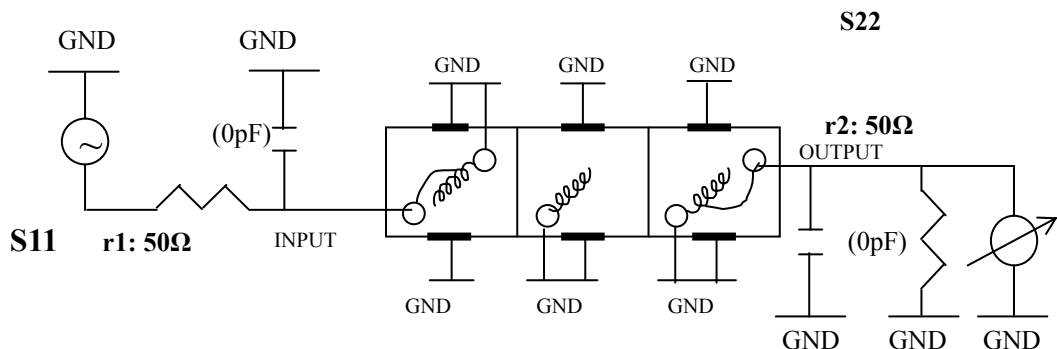


VHF UHF Helical Filter Specification Sheet

Customer Name		Temwell's Part No.	TT63332F-666M
Approval No. /dated	200903093APR	Temwell's print name	63332F 666M
Work Instruction No.	200903093BD	Date	Apr.10.2009

(1) Pin Position	(2) Size Diagram
	

(3) Electric Characteristic			
Item		Specify	Performance
Center Freq.(Fo) +/- 0.5 %		666 MHz	666 MHz
Tunable Range:		666±3 MHz	666±3 MHz
Insertion Loss		Typ. 2.0 dB	0.71 dB
-1 dB Bandwidth		Typ. 102 MHz	108.3 MHz
-3 dB Bandwidth		Typ. 120 MHz	127.3 MHz
Sensitivity (Attenuation)	Fo - 114 MHz	Typ. 18 dB	21 dB
	Fo + 114 MHz	Typ. 15 dB	18 dB
	Fo - ()MHz	Typ. dBc	dBc
	Fo +()MHz	Typ. dBc	dBc
Return Loss		Min. 12 dB	21.0 dB
Ripple		< 1 dB	dB
Impedance		In / Out : 50 Ω	In / Out : 50 Ω
(4) Torque for Tuning Screw		> 100gf · cm	
(5) Temperature Condition:			
Operating Temperature		0°C ~ +60°C	
Storage Temperature		-20°C ~ +70°C	
(6) Input Power		> 1Watt	

(7) Measuring Circuit: ※Easy to match Impedance S11/S22 50Ω by parallel with about(0pF) / (0pF).			
			
(Bottom View)			

Approval	Supervisor	Designer	Aperture size
C.Y.Chang	C.K.Chang	C.S.Chang	7H3(4*7.5F)(7.54) 7H046RB6.5

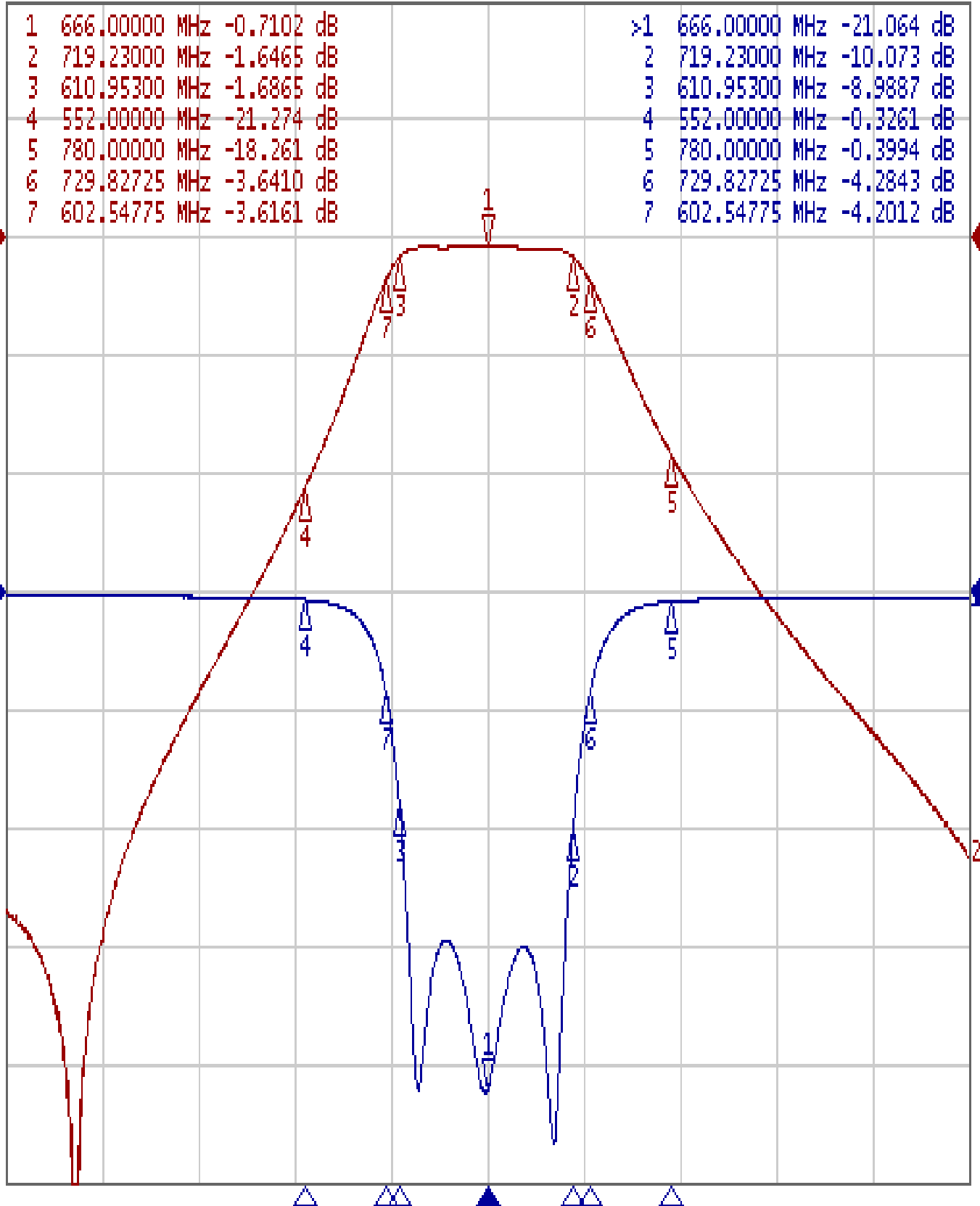
TEMWELL CORPORATION

Performance-TT63332F-666M

200903093BD

Tr1 S11 Log Mag 5.000dB/ Ref 0.000dB [F3]

Tr2 S21 Log Mag 10.00dB/ Ref 0.000dB [F3]



1 Center 666 MHz

IFBW 10 kHz

Span 600 MHz

