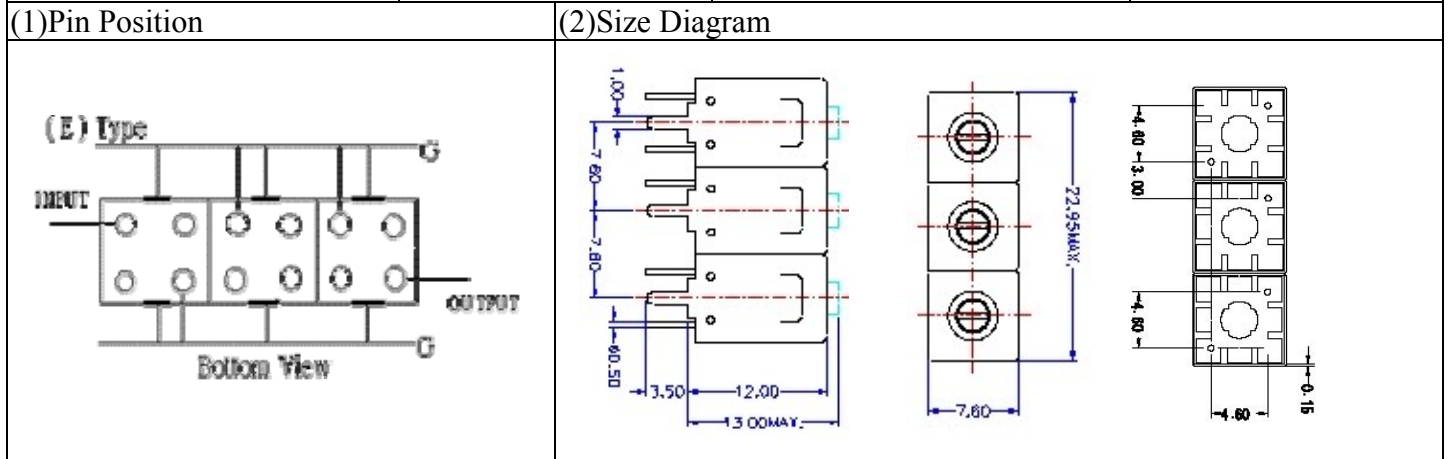


VHF UHF Helical Filter Specification Sheet

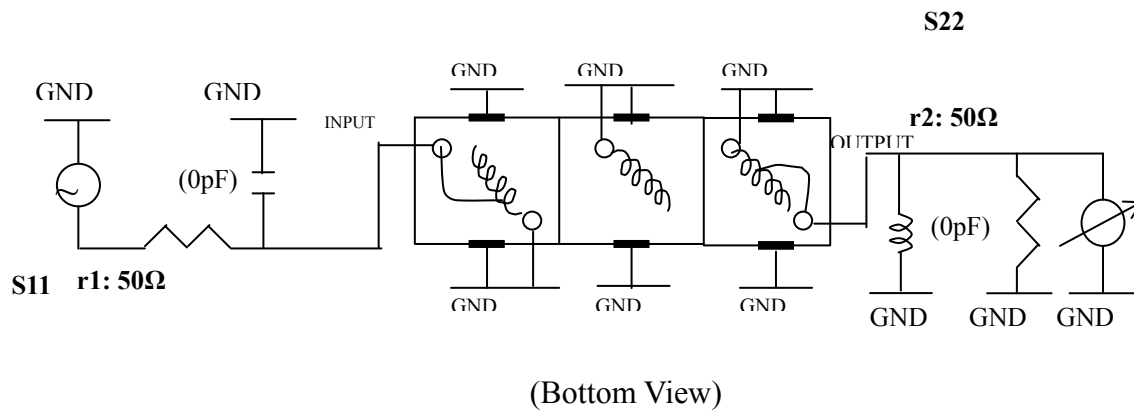
Customer Name		Temwell's Part No.	TT63327E-666M
Approval No. /dated	0903081APR	Customer's Part No.	63327E 666M
Work Instruction No.	200903081BD	Date	Mar.20.2009



(3) Electric Characteristic			
Item	Specify		Performance
Center Freq.(Fo) +/- 0.5 %	666	MHz	666 MHz
Insertion Loss	Typ.	2.5 dB	1.24 dB
-1 dB Bandwidth	Typ.	42 MHz	43.1 MHz
-3 dB Bandwidth	Typ.	50 MHz	57 MHz
Sensitivity (Attenuation)	Fo - 54 MHz	Typ.	20 dBc
	Fo + 54 MHz	Typ.	16 dBc
	Fo - ()MHz	Typ.	dB
	Fo +()MHz	Typ.	dB
Return Loss	Min.	12 dB	41.4 dB
Ripple		< 1 dB	dB
Impedance	In / Out : 50 Ω		In / Out : 50 Ω
(4) Torque for Tuning Screw	> 100gf · cm		

(5) Temperature Condition:	
Operating Temperature	0°C ~ +60°C
Storage Temperature	-20°C ~ +70°C
(6) Input Power	> 1 Watt

(7) Measuring Circuit: ※Easy to match Impedance S11/S22 50Ω by parallel with about(0pF) / (0pF).



Approval	Supervisor	Designer	Aperture size
C.Y.Chang	C.K.Chang	P.H.Chiang	7H3S(4*5.5)(5.56) 7H046LB5

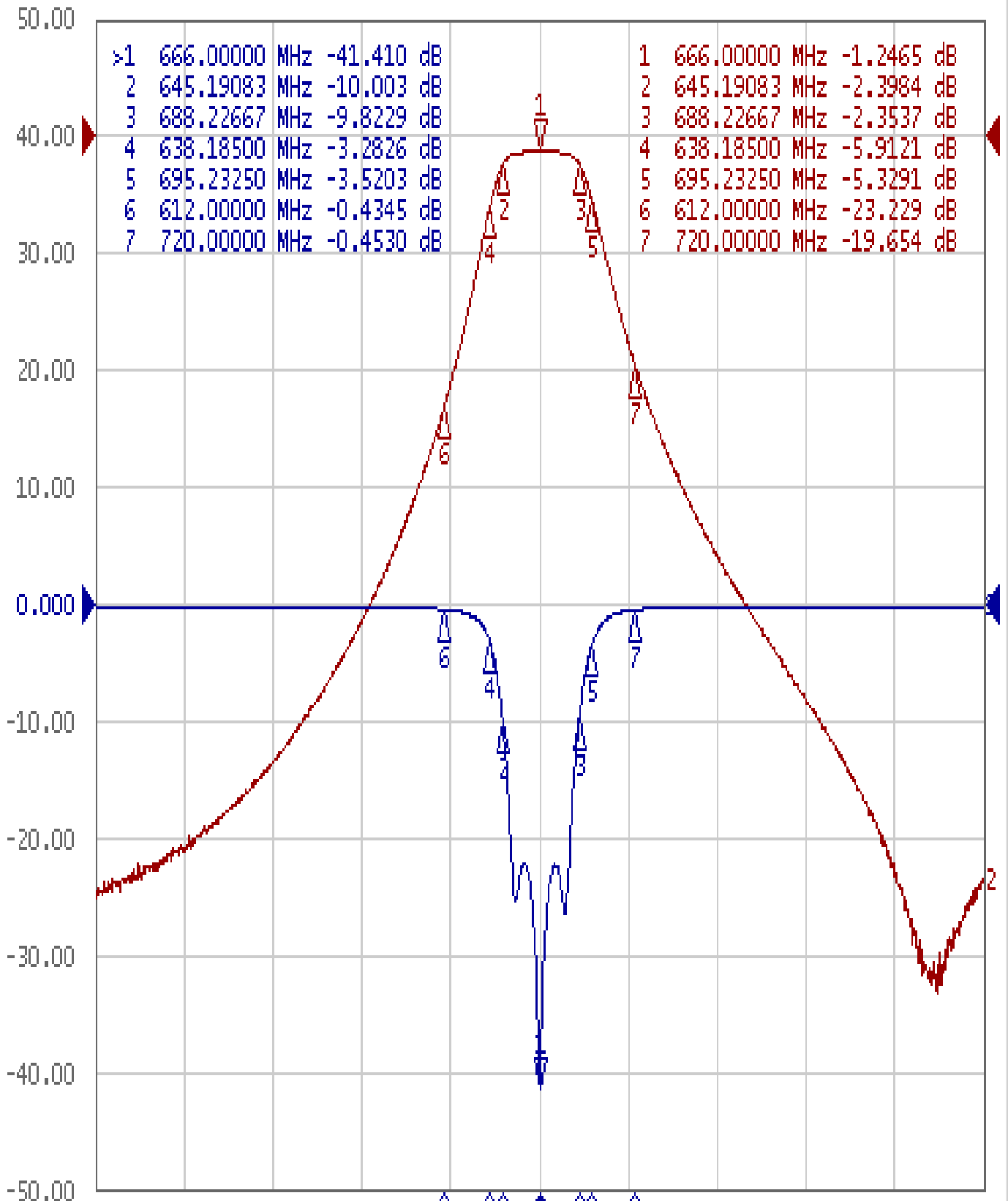
TEMWELL CORPORATION

Performance-TT63327E-666M

200903081BD

Tr1 S11 Log Mag 10.00dB/ Ref 0.000dB [F2]

Tr2 S21 Log Mag 10.00dB/ Ref 0.000dB [F2]



1 Center 666 MHz

IFBW 10 kHz

Span 500 MHz Cor !