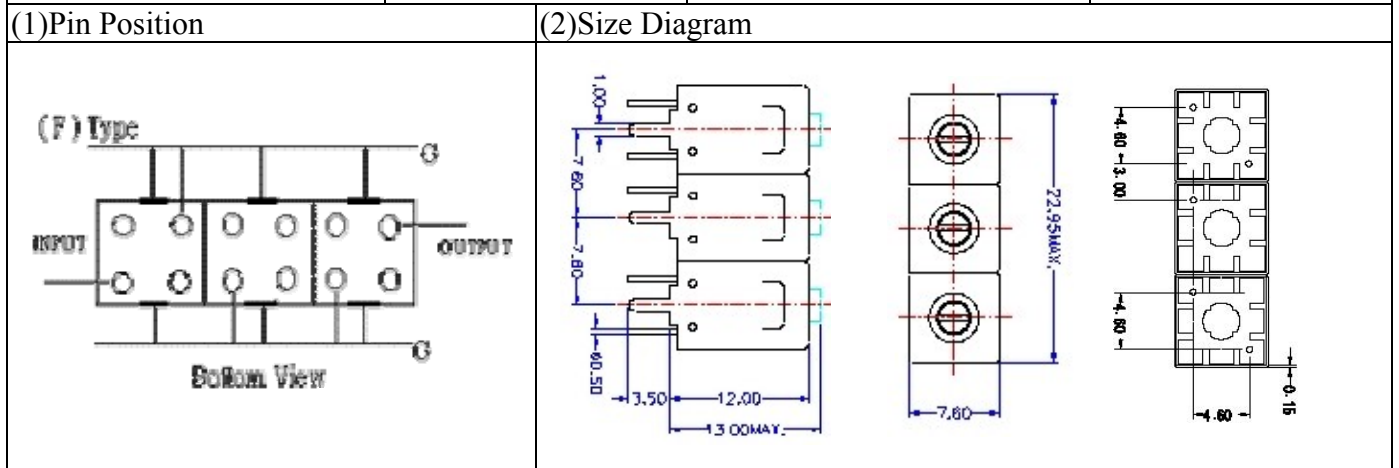


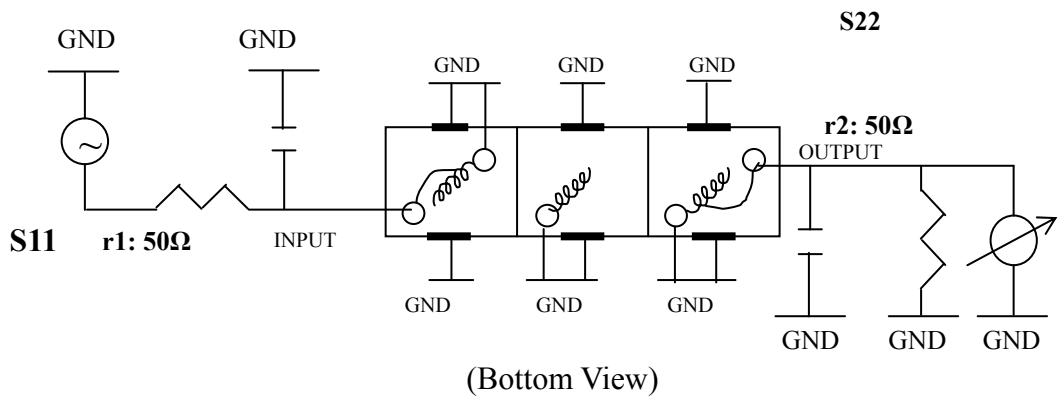
VHF UHF Helical Filter Specification Sheet

Customer Name		Temwell's Part No.	TT6326F-557M
Approval No. /dated	201111103CD	Temwell's print name	6326F 557M
Work Instruction No.	201111103CD	Date	Nov.11.2011



(3) Electric Characteristic			
Item		Specify	Performance
Center Freq.(Fo) +/- 0.5 %		557 MHz	557 MHz
Insertion Loss		Typ. 6.0 dB	5.12 dB
-3 dB Bandwidth		Typ. 6 MHz	9.3 MHz
Sensitivity (Attenuation)	Fo - 15 MHz	Typ. 28 dB	31 dB
	Fo + 15 MHz	Typ. 23 dB	25 dB
	Fo - ()MHz	Typ. dBc	dBc
	Fo +()MHz	Typ. dBc	dBc
Return Loss		Min. 12 dB	18.4 dB
Ripple		< 1 dB	dB
Impedance		In / Out : 50 Ω	In / Out : 50 Ω
(4) Torque for Tuning Screw		> 60gf · cm	
(5) Temperature Condition:			
Operating Temperature		0°C ~ +60°C	
Storage Temperature		-20°C ~ +70°C	
(6) Input Power		> 1Watt	

(7) Measuring Circuit: ※Easy to match Impedance S11/S22 50Ω by parallel with about(--) / (--).



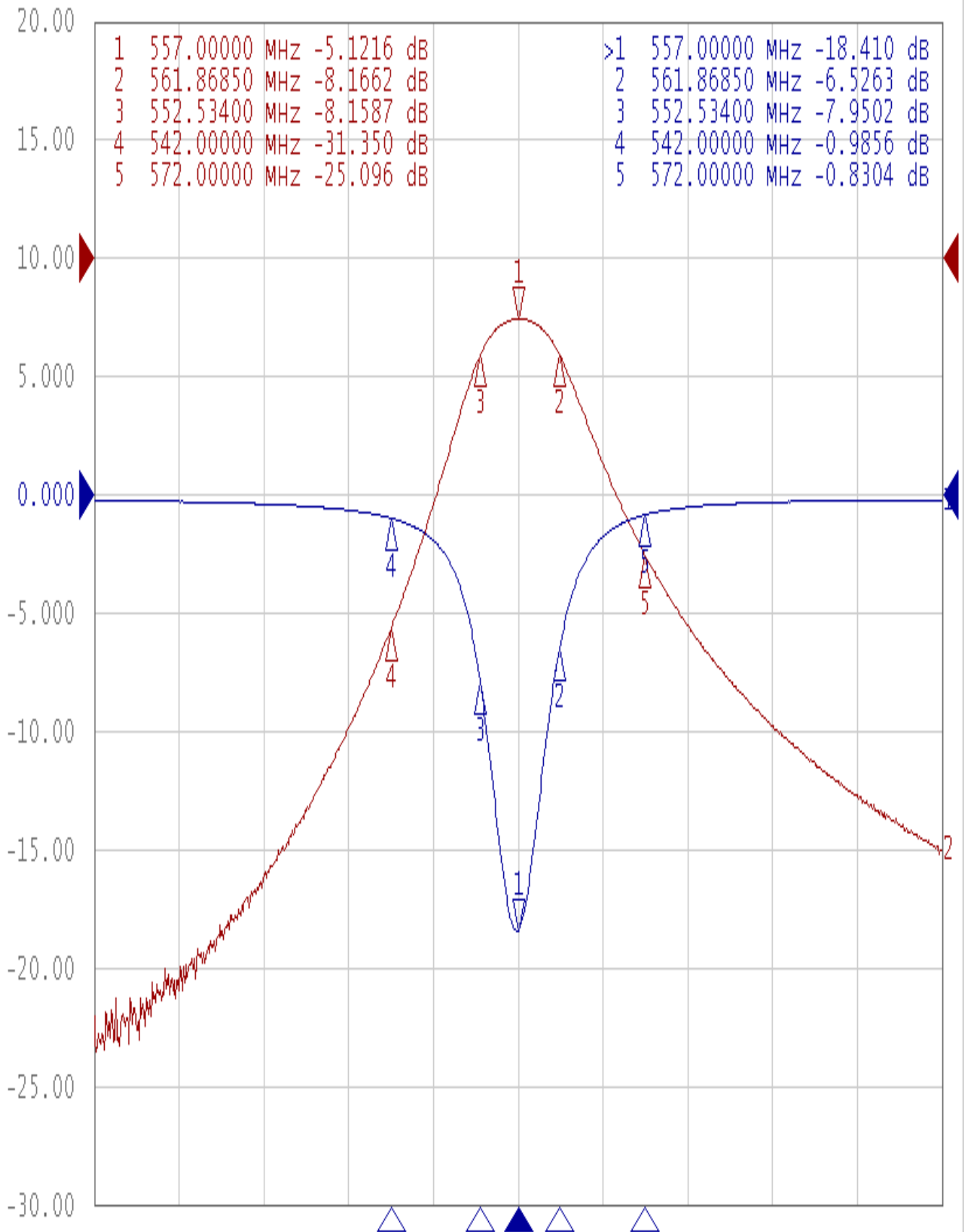
Approval C.Y.Chang	Supervisor C.K.Chang	Designer C.S.Chang	Aperture size 7H3S(4*5.5)(5.58) 7H046LB4.3 聚 3
-----------------------	-------------------------	-----------------------	--

TEMWELL CORPORATION

Performance-TT6326F-557M

20111103CD

▶ Tr1 S11 Log Mag 5.000dB/ Ref 0.000dB [F2]
Tr2 S21 Log Mag 10.00dB/ Ref 0.000dB [F2]



1 Center 557 MHz

IFBW 10 kHz

Span 100 MHz Cor !