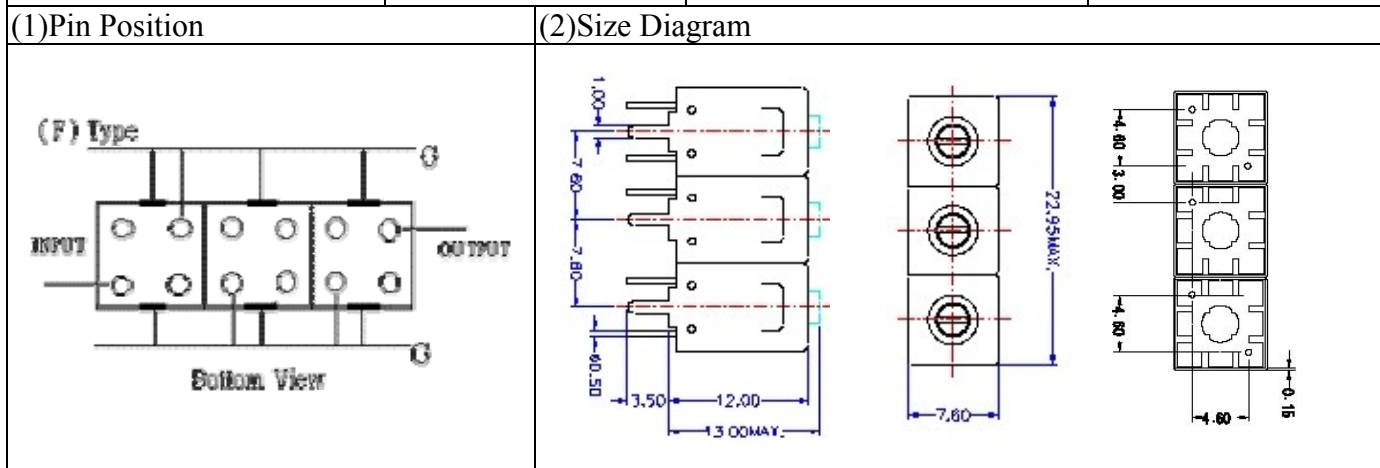


VHF UHF Helical Filter Specification Sheet

Customer Name		Temwell's Part No.	TT6325F-545M
Approval No. /dated	201111102CD	Temwell's print name	6325F 545M
Work Instruction No.	201111102CD	Date	Nov.17.2011



(3) Electric Characteristic

Item	Specify	Performance
Center Freq.(Fo) +/- 0.5 %	545 MHz	545 MHz
Insertion Loss	Typ. 6.0 dB	5.25 dB
-3 dB Bandwidth	Typ. 6 MHz	8.5 MHz
Sensitivity (Attenuation)	Fo - 15 MHz	Typ. 29 dB
	Fo + 15 MHz	Typ. 23 dB
	Fo - ()MHz	Typ. dBc
	Fo +()MHz	Typ. dBc
Return Loss	Min. 12 dB	18.3 dB
Ripple	< 1 dB	dB
Impedance	In / Out : 50 Ω	In / Out : 50 Ω

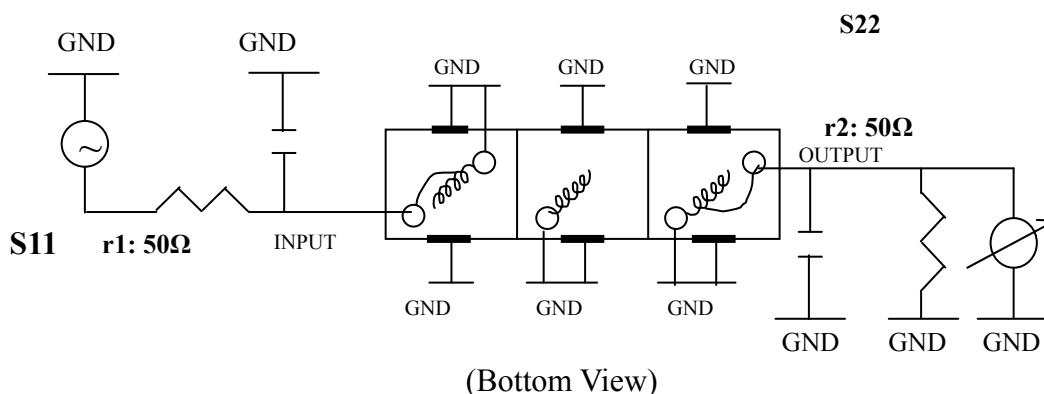
(4) Torque for Tuning Screw > 60gf • cm

(5) Temperature Condition:

Operating Temperature	0°C ~ +60°C
Storage Temperature	-20°C ~ +70°C

(6) Input Power > 1Watt

(7) Measuring Circuit: ※Easy to match Impedance S11/S22 50Ω by parallel with about(--) / (--).



Approval C.Y.Chang	Supervisor C.K.Chang	Designer C.S.Chang	Aperture size 7H3S(4*5.5)(5.58) 7H046LB4.3 聚 3
-----------------------	-------------------------	-----------------------	--

TEMWELL CORPORATION

Performance-TT6325F-545M

20111102CD

