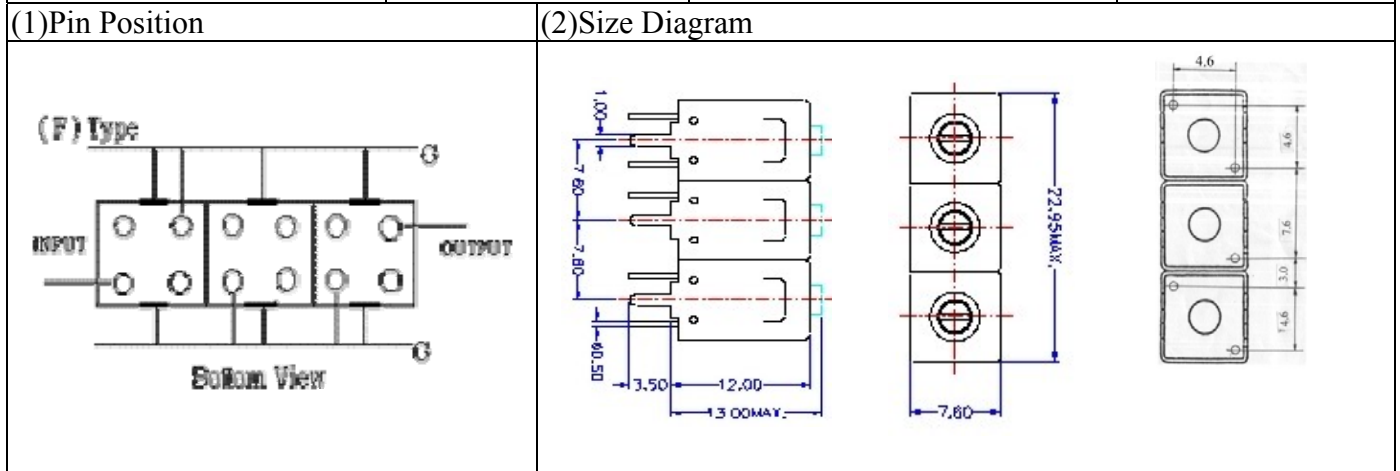


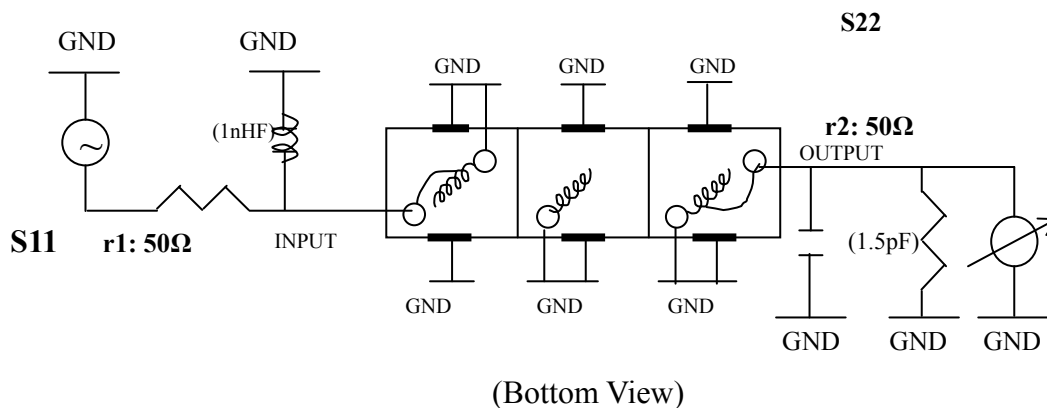
VHF UHF Helical Filter Specification Sheet

Customer Name		Temwell's Part No.	TT63245F-460M
Approval No. /dated	0806055CD	Acceptable Specify Fo Range	456~515MHz
Work Instruction No.	0806055CD	Date	Jun.27.2008



(3) Electric Characteristic			
Item		Specify	Performance
Center Freq.(Fo) +/- 0.5 %		460 MHz	460 MHz
Tunable Range:		460±3 MHz	460±3 MHz
Insertion Loss		Typ. 2.0 dB	1.4 dB
-3 dB Bandwidth		Typ. 30 MHz	32.6 MHz
Sensitivity (Attenuation)	Fo - 50 MHz	Typ. 35 dBc	38 dBc
	Fo + 50 MHz	Typ. 22 dBc	25 dBc
	Fo - ()MHz	Typ. dBc	dBc
	Fo +()MHz	Typ. dBc	dBc
Return Loss		Min. 12 dB	24.6 dB
Ripple		< 1 dB	dB
Impedance		In / Out : 50 Ω	In / Out : 50 Ω
(4) Torque for Tuning Screw		> 100gf · cm	
(5) Temperature Condition:			
Operating Temperature		0°C ~ +60°C	
Storage Temperature		-20°C ~ +70°C	
(6) Input Power		> 1 Watt	

(7) Measuring Circuit: ※Easy to match Impedance S11/S22 50Ω/75Ω by parallel with about(0pF)/(0pF).

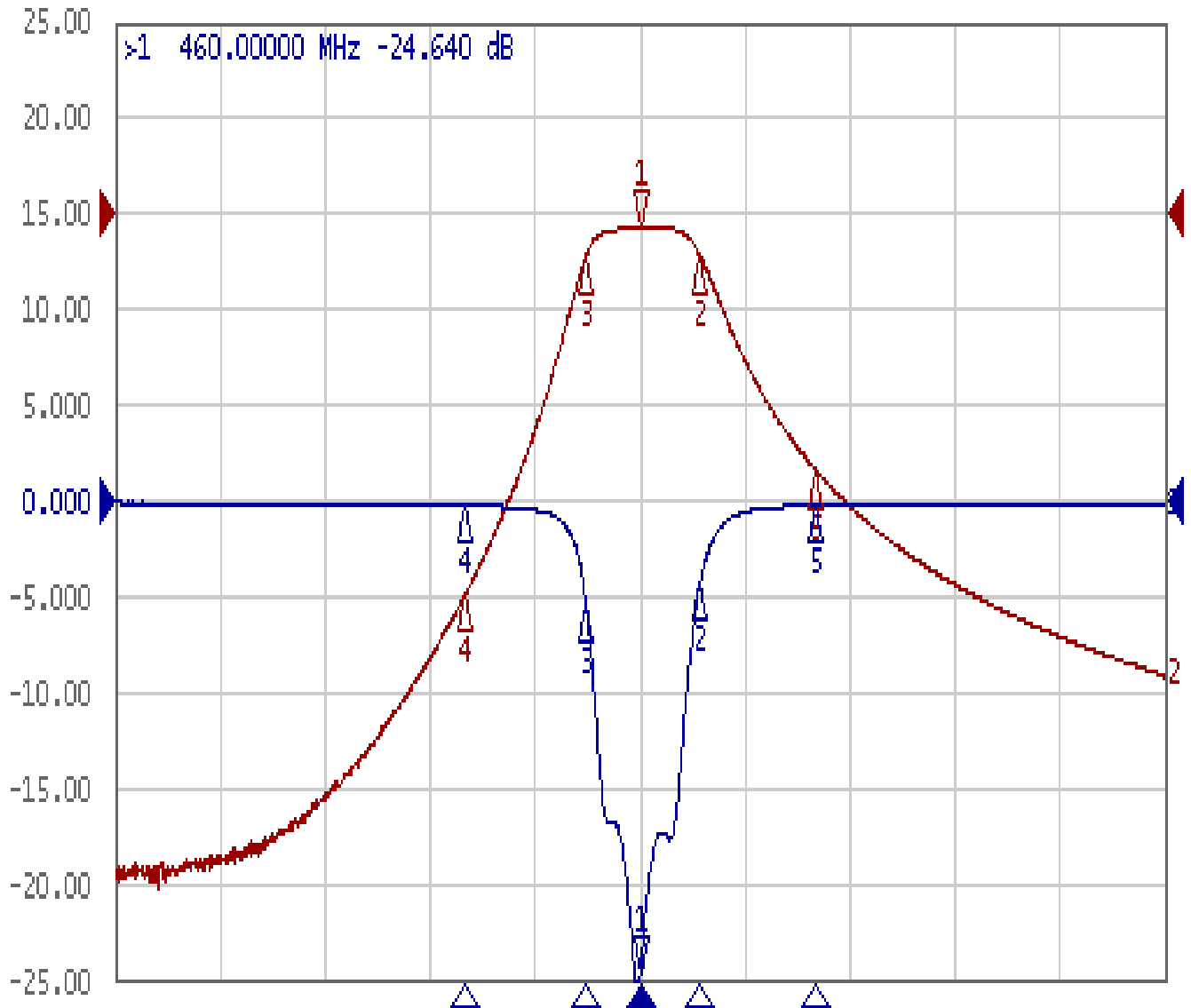


Approval C.Y.Chang	Supervisor C.S.Chang	Designer C.S.Chang	Aperture size 7H3(4*5.5)F 7H046LB5
-----------------------	-------------------------	-----------------------	--

Performance-TT63245F-460M

0806055CD

▶ Tr1 S11 Log Mag 5.000dB/ Ref 0.000dB [F3]
Tr2 S21 Log Mag 10.00dB/ Ref 0.000dB [F3]



1 Center 460 MHz

IFBW 10 kHz

Span 300 MHz



Ch1	Tr1	S11	>1	460.00000	MHz	-24.640	dB
Ch1	Tr1	S11	2	477.11600	MHz	-4.2877	dB
Ch1	Tr1	S11	3	444.50600	MHz	-5.4161	dB
Ch1	Tr1	S11	4	410.00000	MHz	-0.2144	dB
Ch1	Tr1	S11	5	510.00000	MHz	-0.2352	dB
Ch1	Tr2	S21	1	460.00000	MHz	-1.4071	dB
Ch1	Tr2	S21	2	477.11600	MHz	-4.3803	dB
Ch1	Tr2	S21	3	444.50600	MHz	-4.3678	dB
Ch1	Tr2	S21	4	410.00000	MHz	-39.729	dB
Ch1	Tr2	S21	5	510.00000	MHz	-26.743	dB