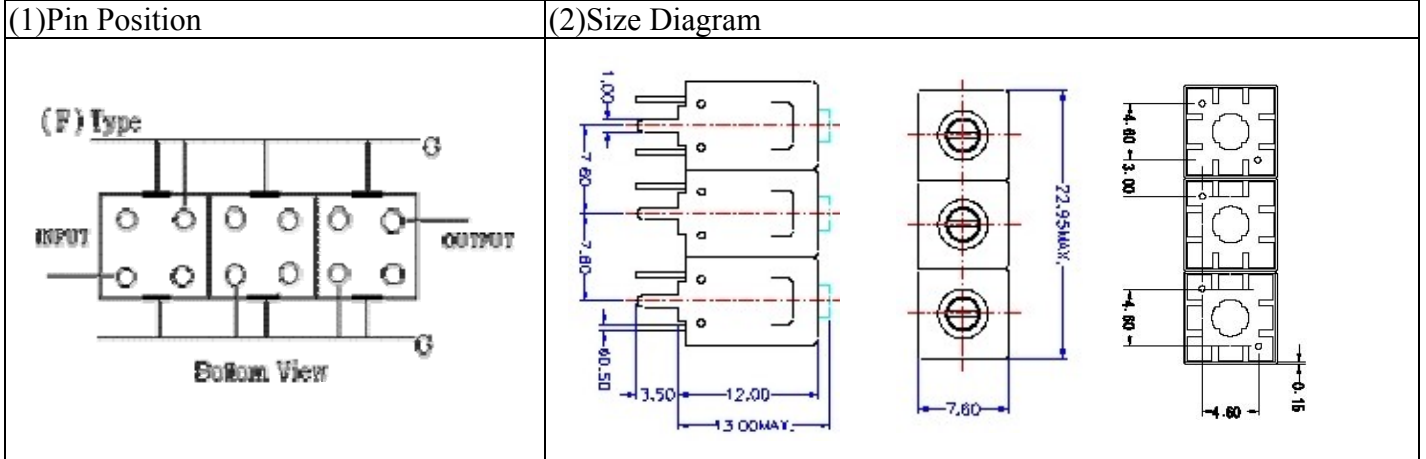


VHF UHF Helical Filter Specification Sheet

Customer Name		Temwell's Part No.	TT63240F-360M
Approval No. /dated	0803086CD	Acceptable Specify Fo. Range	356~400MHz
Work Instruction No.	0803086CD	Date	Mar.28.2008



(3) Electric Chararestic

Item	Specify	Performance
Center Freq.(Fo) +/- 0.5 %	360 MHz	360 MHz
Tunable Range:	360±4 MHz	360±4 MHz
Insertion Loss	Typ. 2.5 dB	1.50 dB
-3 dB Bandwidth	Typ. 17 MHz	19.8 MHz
Sensitivity (Attenuation)	Fo - 40 MHz	Typ. 45 dBc
	Fo + 40 MHz	Typ. 26 dBc
	Fo - ()MHz	Typ. dBc
	Fo +()MHz	Typ. dBc
Return Loss	Min. 12 dB	32.2 dB
Ripple	< 1 dB	dB
Impedance	In / Out : 50 Ω	In / Out : 50 Ω

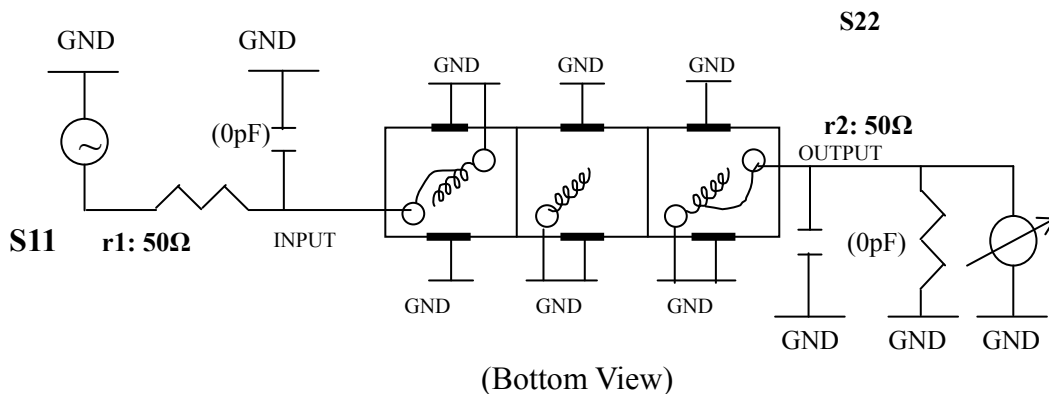
(4) Torque for Tuning Screw > 100gf · cm

(5) Temperature Condition:

Operating Temperature	0°C ~ +60°C
Storage Temperature	-20°C ~ +70°C

(6) Input Power > 1Watt

(7) Measuring Circuit: ※Easy to match Impedance S11/S22 50Ω by parallel with about(0pF) / (0pF).



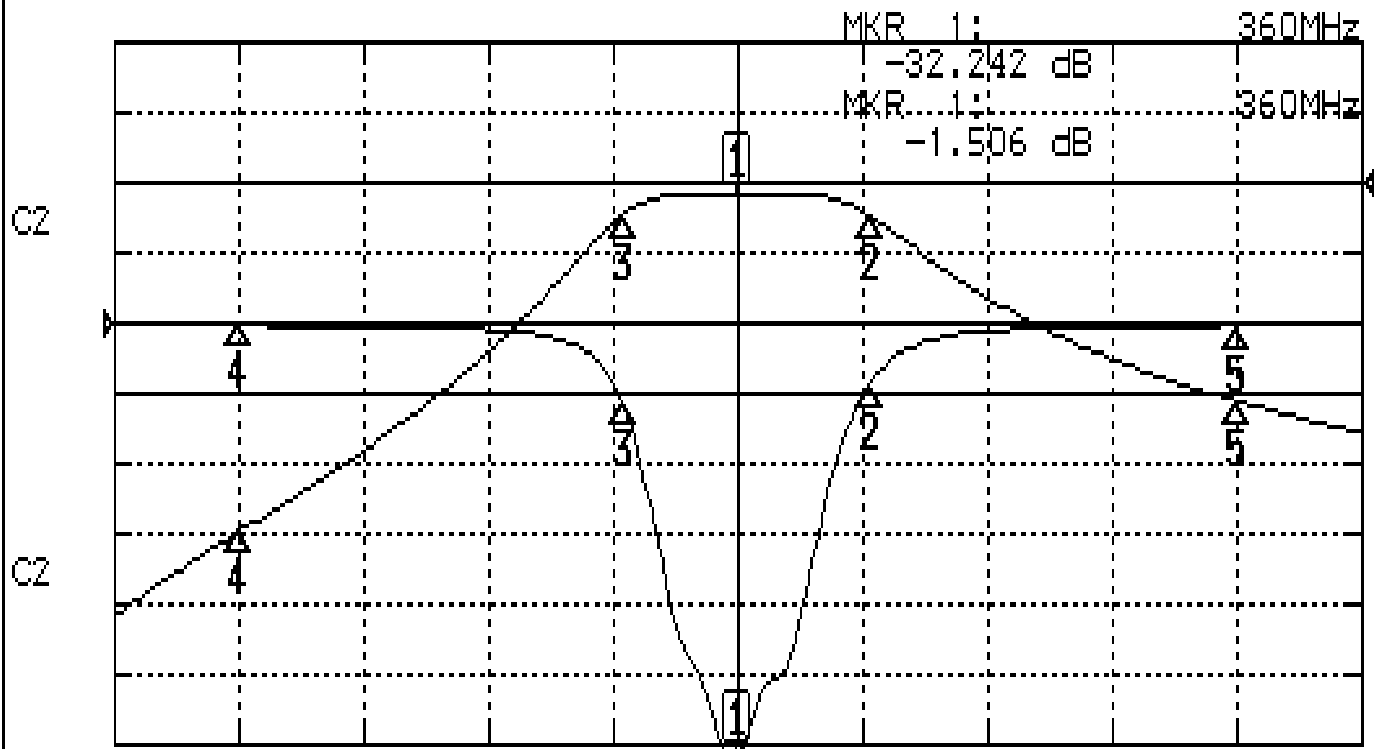
Approval	Supervisor	Designer	Aperture size
C.Y.Chang	C.S.Chang	P.H.Chiang	7H3(4*5.5F)*(5.0B) 7H046LB5

TEMWELL CORPORATION

Performance-TT63240F-360M

0803086CD

CH1 S11 LOG MAG REF 0.000 dB 5.000 dB/
CH2 S21 LOG MAG REF 0.000 dB 10.000 dB/



CENTER 360MHz

[10.00 dBm]

SPAN 100MHz

CH1 MARKER LIST

1:	360.000MHz	-32.242 dB
2:	370.500MHz	-4.451 dB
3:	350.750MHz	-5.674 dB
4:	320.000MHz	-0.139 dB
5:	400.000MHz	-0.149 dB

CH2 MARKER LIST

1:	360.000MHz	-1.506 dB
2:	370.500MHz	-4.546 dB
3:	350.750MHz	-4.549 dB
4:	320.000MHz	-49.594 dB
5:	400.000MHz	-31.048 dB