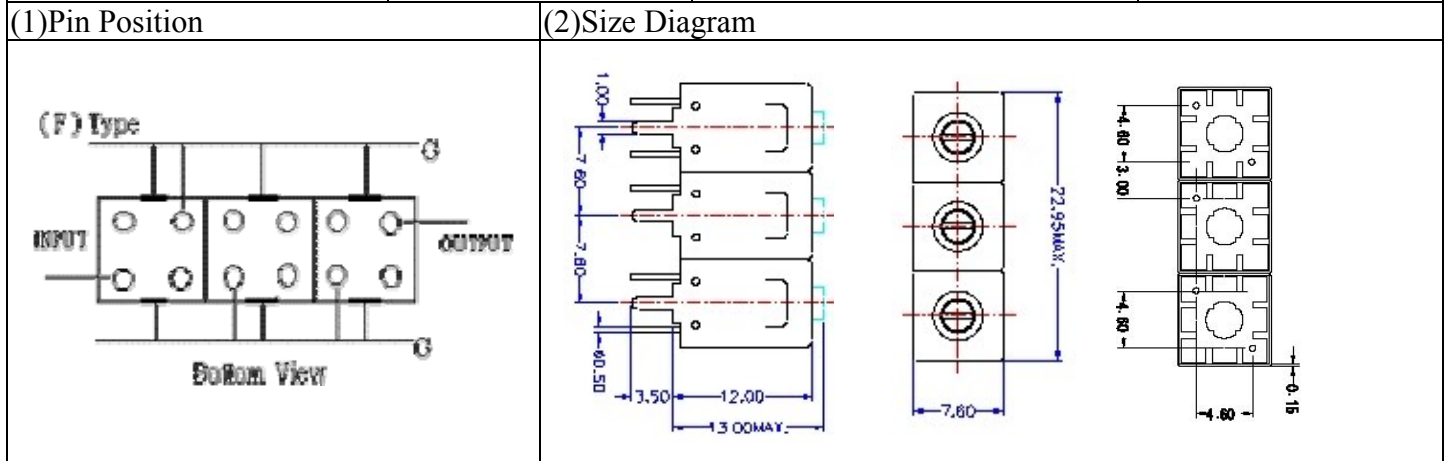


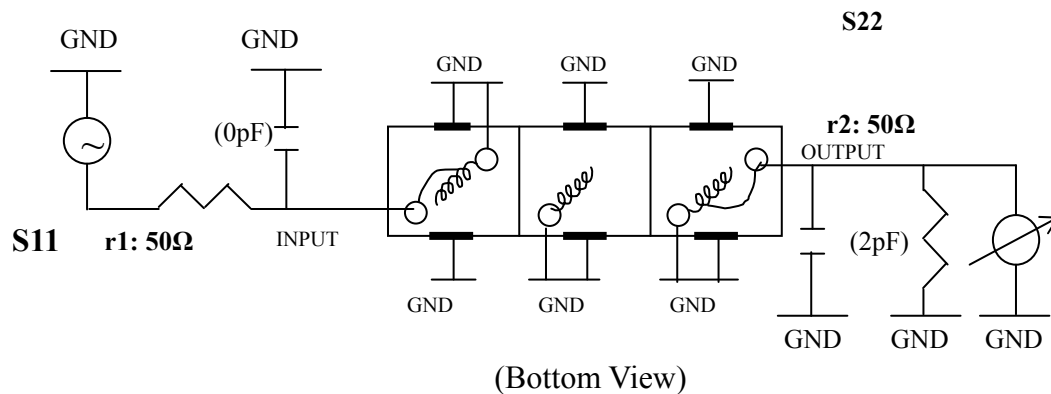
# VHF UHF Helical Filter Specification Sheet

Customer Name		Temwell's Part No.	TT63238F-370M
Approval No. /dated	0803060CD	Acceptable Specify Fo. Range	356~400MHz
Work Instruction No.	0803060CD	Date	Mar.27.2008



(3) Electric Characteristic			
Item	Specify	Performance	
Center Freq.(Fo) +/- 0.5 %	370 MHz	370 MHz	
Tunable Range:	370±4 MHz	370±4 MHz	
Insertion Loss	Typ. 3.0 dB	2.00 dB	
-3 dB Bandwidth	Typ. 15 MHz	17.3 MHz	
Sensitivity (Attenuation)	Fo - 40 MHz	Typ. 50 dBc	53 dBc
	Fo + 40 MHz	Typ. 32 dBc	35 dBc
	Fo - ( )MHz	Typ. dBc	dBc
	Fo + ( )MHz	Typ. dBc	dBc
Return Loss	Min. 12 dB	20.3 dB	
Ripple	< 1 dB	dB	
Impedance	In / Out : 50 Ω	In / Out : 50 Ω	
(4) Torque for Tuning Screw		> 100gf · cm	
(5) Temperature Condition:			
Operating Temperature	0°C ~ +60°C		
Storage Temperature	-20°C ~ +70°C		
(6) Input Power		> 1Watt	

(7) Measuring Circuit: ※Easy to match Impedance S11/S22 50Ω by parallel with about(0pF) / (2pF).



Approval	Supervisor	Designer	Aperture size
C.Y.Chang	C.S.Chang	P.H.Chiang	7H3(4*5.5)F(5.0)B 7H046LB5

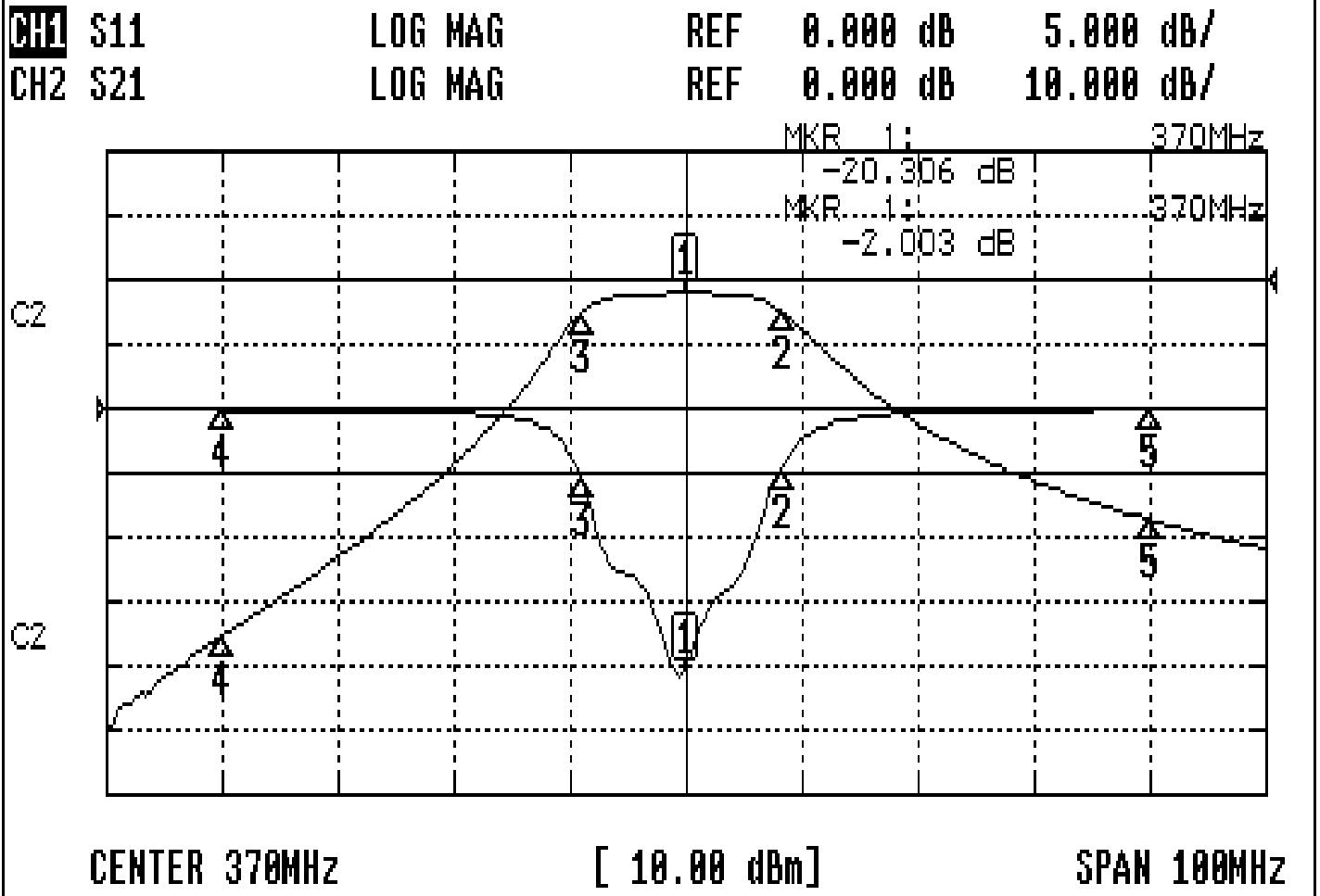
TEMWELL CORPORATION

TEMWELL

Form10-7H3F Vision D RP W.W.W

# Performance-TT63238F-370M

## 0803060CD



### CH1 MARKER LIST

1:	370.000MHz	-20.306 dB
2:	378.333MHz	-14.590 dB
3:	361.083MHz	-15.621 dB
4:	330.000MHz	-10.144 dB
5:	410.000MHz	-0.132 dB

### CH2 MARKER LIST

1:	370.000MHz	-2.003 dB
2:	378.333MHz	0.000 dB
3:	361.083MHz	0.000 dB
4:	330.000MHz	-7.407 dB
5:	410.000MHz	7.233 dB